

Installer's Reference



Stepping Cluster

Models BAR700120F and BAR700120S

Know What's Below

As with all projects involving digging, start by knowing what is in the ground below. Underground utilities may include cable, electric, sprinklers, sewer, water, telecommunications, drainage pipes and sprinklers. You can usually accomplish this with one phone call (Dial 811) to your state's underground utility service.

Conduct an Inventory

Begin installation with of hardware and parts, assuring everything you need is onsite when you begin.



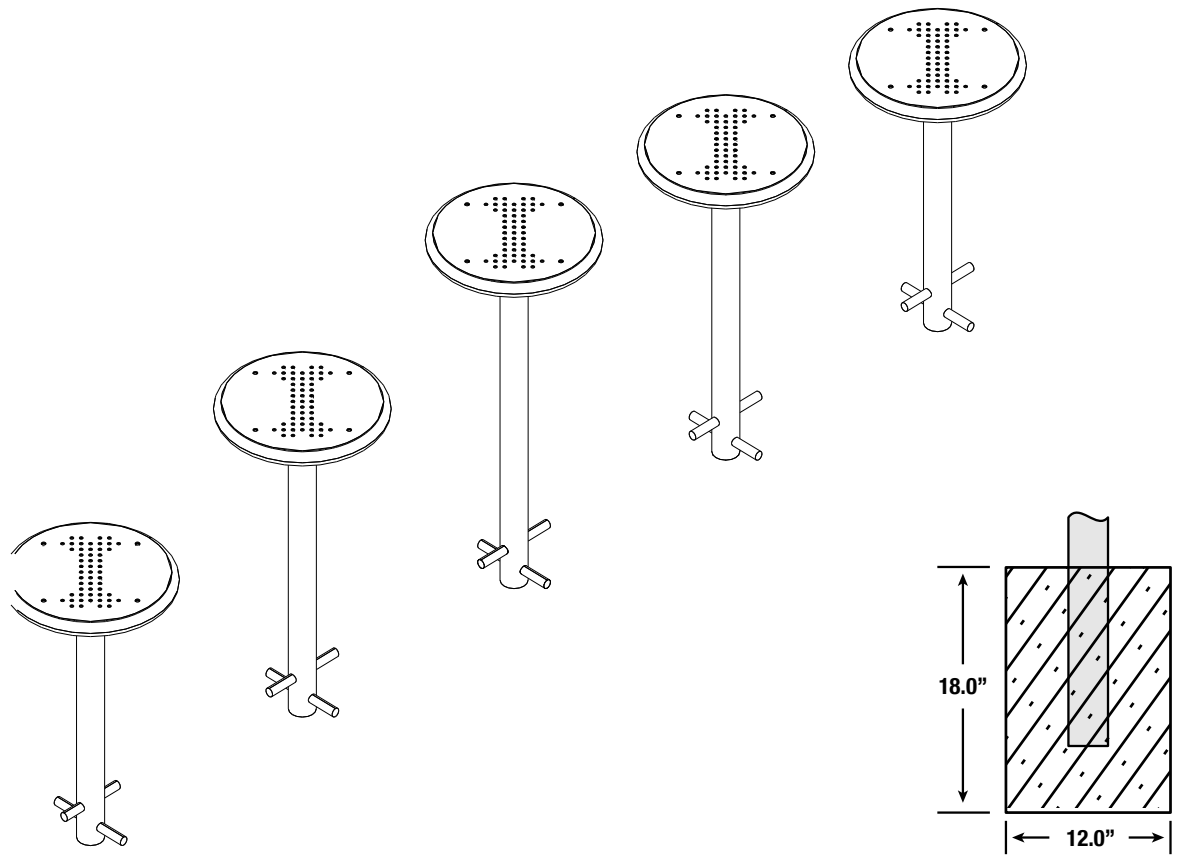
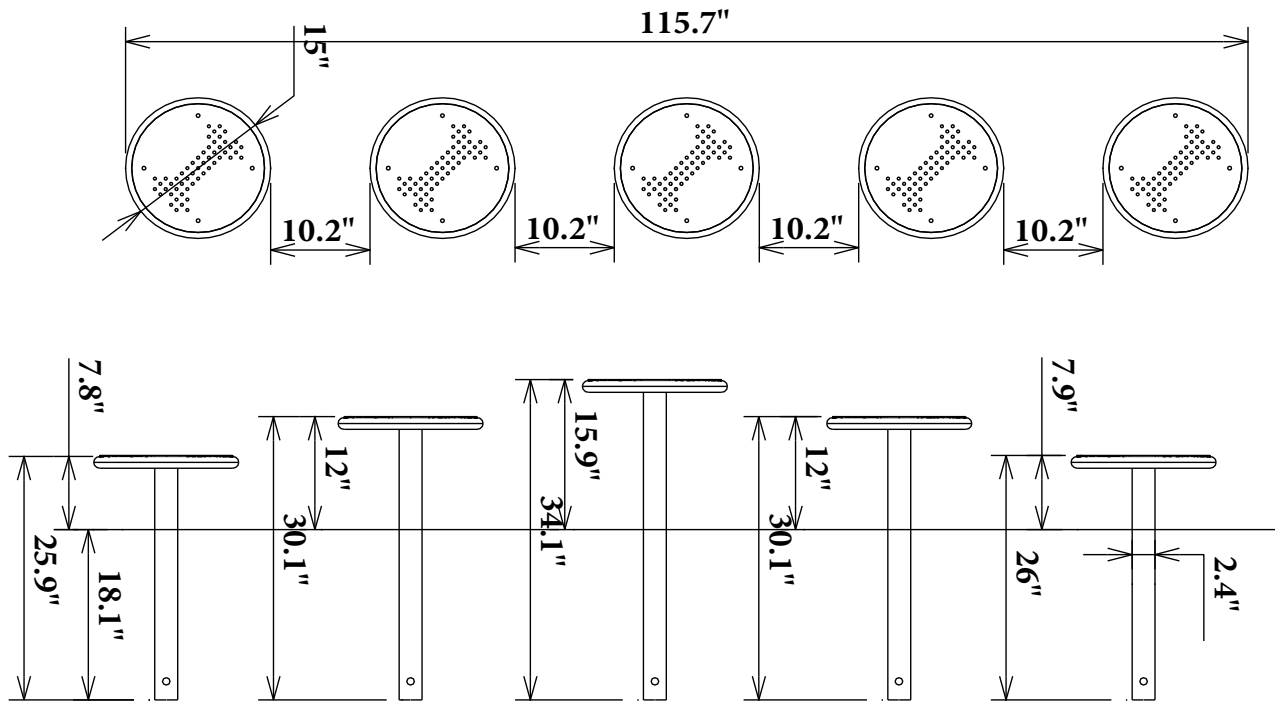
PLAYGROUNDS & SITE AMENITIES

KORKAT
221 CABLE INDUSTRIAL WAY
CARROLLTON, GA 30117

SALES@KORKAT.COM

1-888-356-7528

Prices are subject to change.
© 2021 KorKat All Rights Reserved.



CONCRETE FOOTING