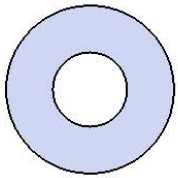


Model # T46CLASS-3ADA

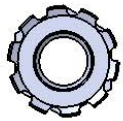
HARDWARE



5/16" x 1"
Machine Bolt



5/16" Washer



5/16" Kep Nut

PRODUCT SPECIFICATIONS

T46CLASS-3ADA ACCESABLE PORTABLE TABLE WITH 3 SEATS

Seat & Back: 11 gauge sheet steel is die formed with laser cut design . Seat support pieces are 11 gauge laser cut sheet steel. Top has 7 gauge x 1-1/2" flat bar center support and mounting bracket understructure. All electrically MIG welded.

Coating: Oven fused functionalized polyethylene copolymer-based thermoplastic. Fluidized bed coating application with superior mechanical performance, impact resistance and UV-stability.

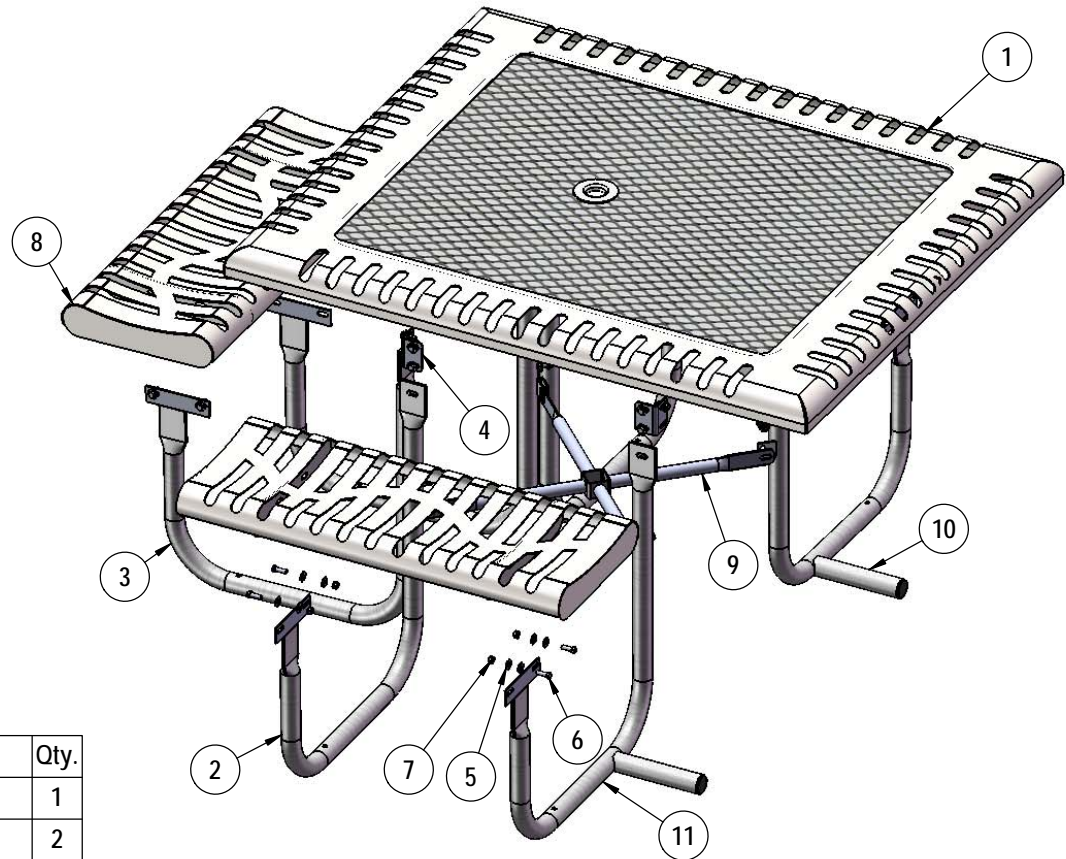
Frame: 2-3/8" O.D. x 13 gauge pre-galvanized structural steel tubing. Brace attachment points are 1-1/2"x2"x3/16" steel flat bar. Cross braces 1" O.D. x 16 gauge pre-galvanized structural steel tubing. Top is attached with 7 gauge 2"x2" die formed angle. Seat mounting points are 7 gauge x 1-1/2" die stamped steel flat bar. Legs are bent over a mandrel through the bend radius producing a wrinkle free bend. All electrically MIG welded.

Frame Coating: Electrostatic powder coated application oven cured.

Hardware: All stainless steel hardware fasteners.

Dimensions: Top is 46" x 55" x 30-7/16" high. Seats are 14-5/16" wide x 36" long x 19" high. Outside to outside dimensions are 81-11/16" x 71-9/16" x 30-7/16" high.

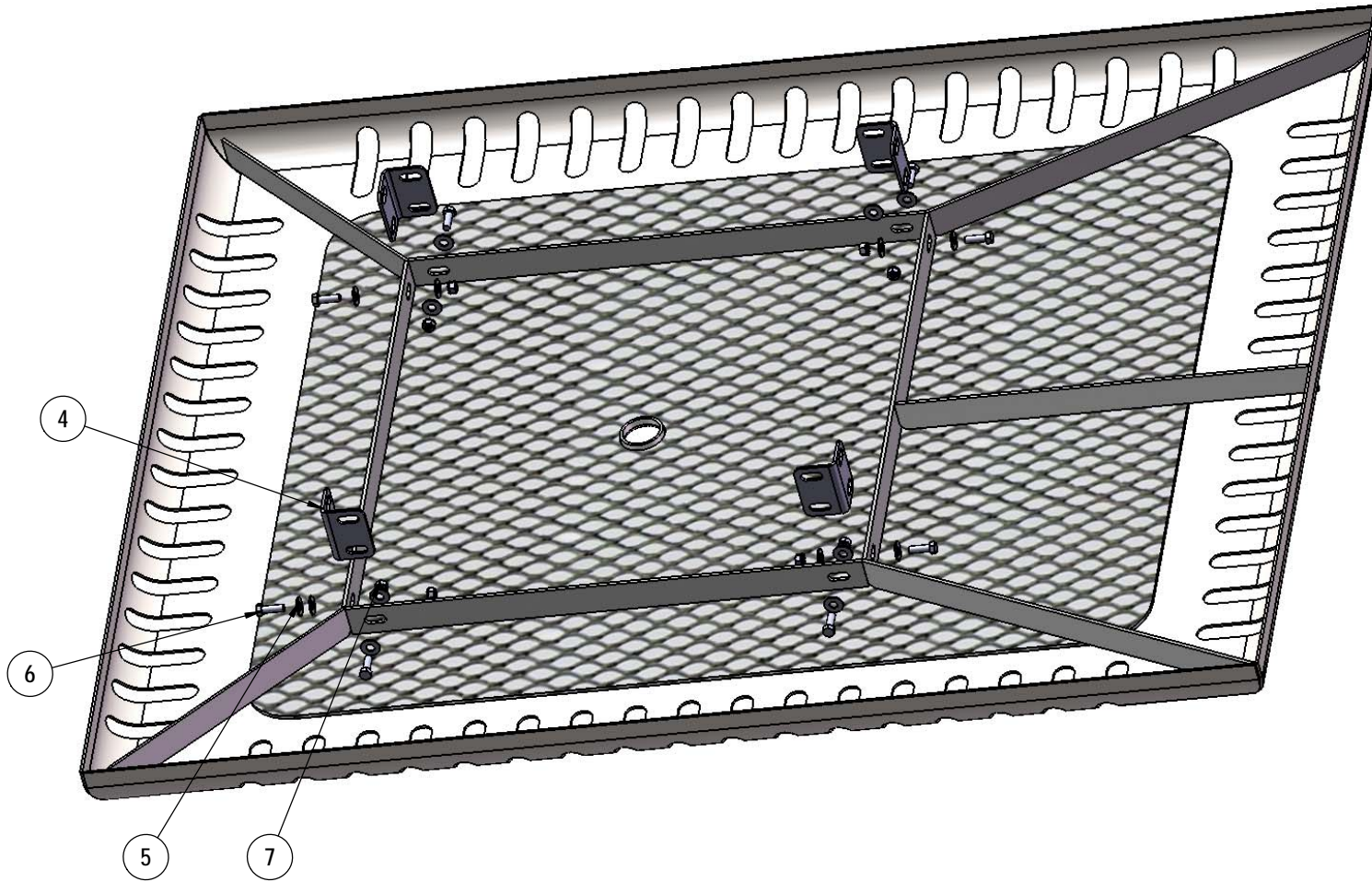
COMPONENTS



ITEM NO.	PartNo	DESCRIPTION	Qty.
1	CLASS46H-T	Classic Handicap Top 46" x 55"	1
2	P-V358-L	358 Vinyl Leg L	2
3	P-V358-R	358 Vinyl Leg R	2
4	P-01-04-0121	358 Extension Tab	4
5	33-02-0007	5/16" SS Washer	60
6	33-05-0029	5/16" x 1" Machine Bolt (SS)	30
7	33-03-0012	5/16" Kep Nut (SS)	30
8	CLASS36-S	Classic 36" Seat	3
9	P-01-04-0122	358 Crossbrace w/ Umbrella Tube	1
10	P-01-04-0440	358 Vinyl Leg LH	1
11	P-01-04-0441	358 Vinyl Leg RH	1

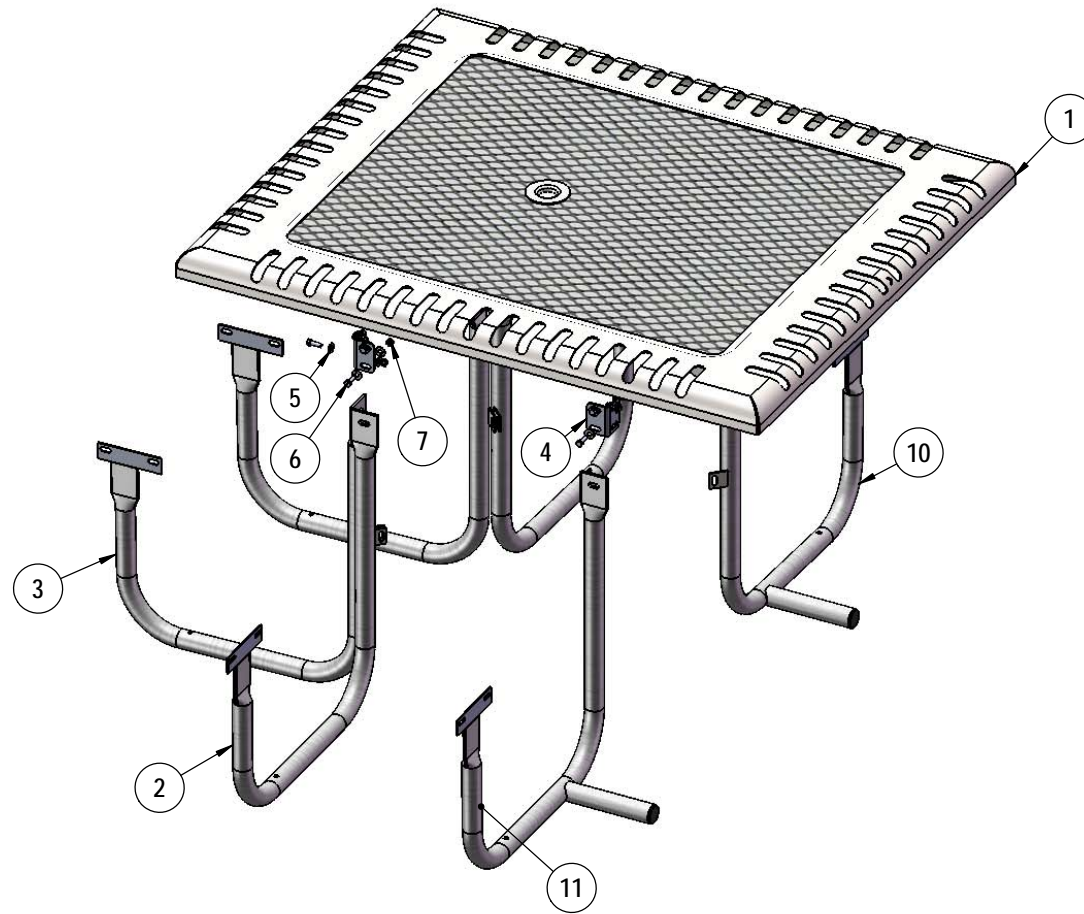
Superior[®]
 RECREATIONAL PRODUCTS
A PLAYCORE Company

STEP 1



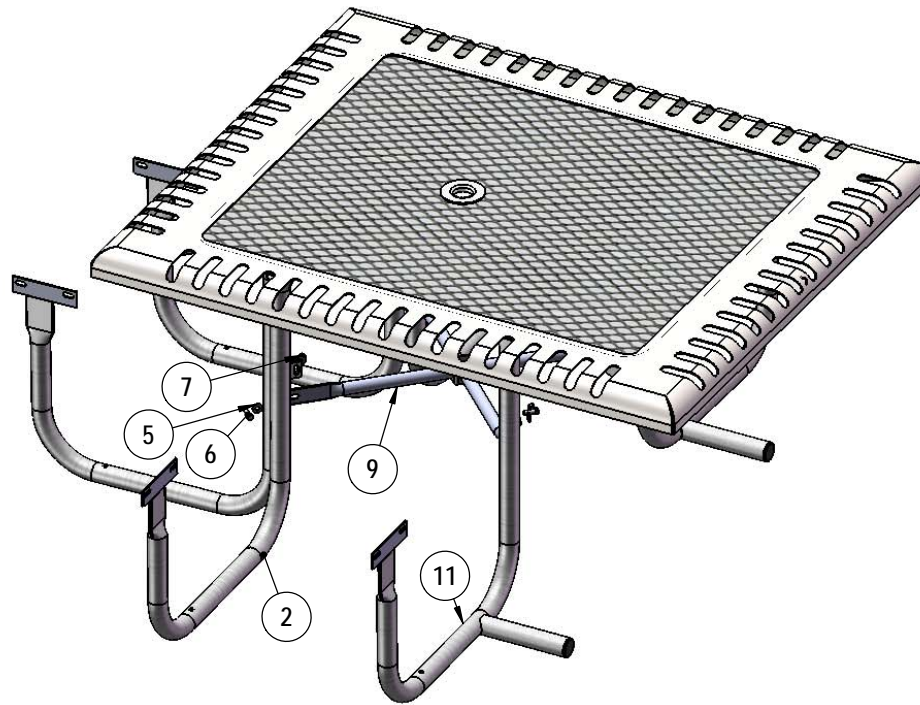
Attach the 358 Extension Tabs to the 358 ADA Top using the specified hardware.

STEP 2



Attach the 358 Legs to the 358 Top using the specified hardware.

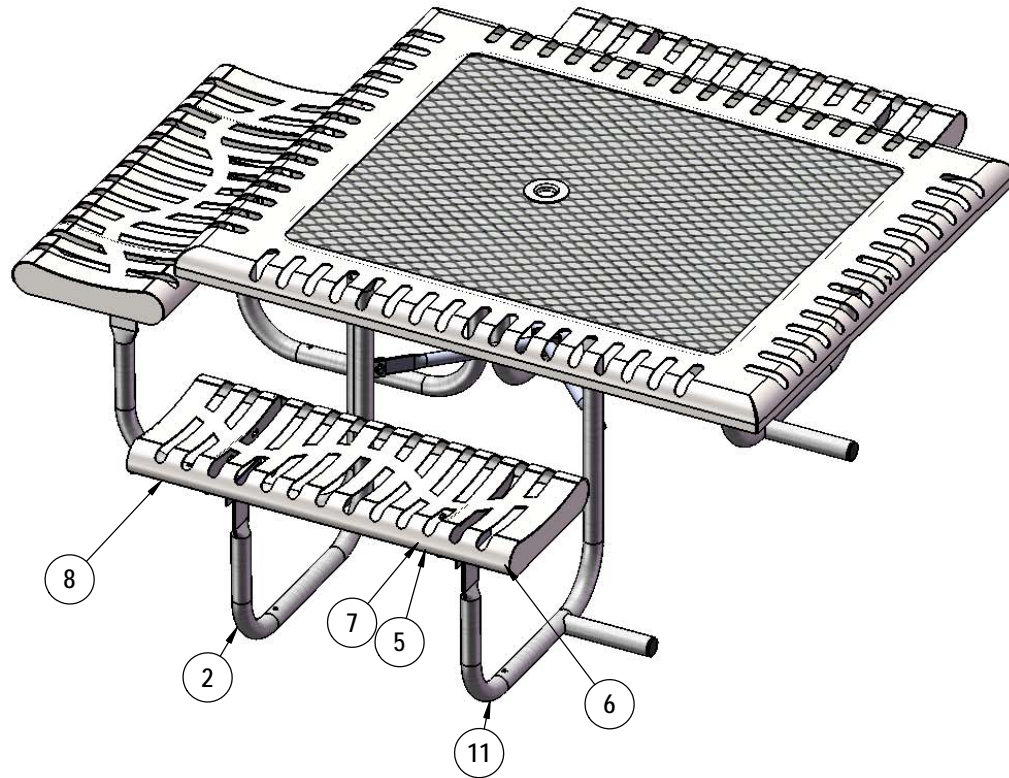
STEP 3



Attach the Cross Brace to the 358 Legs using specified hardware.

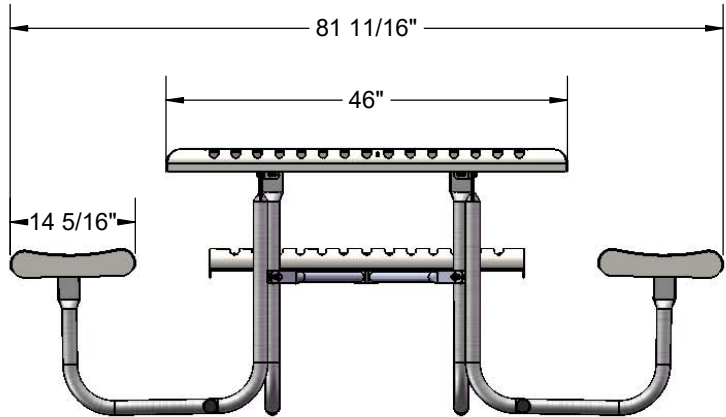
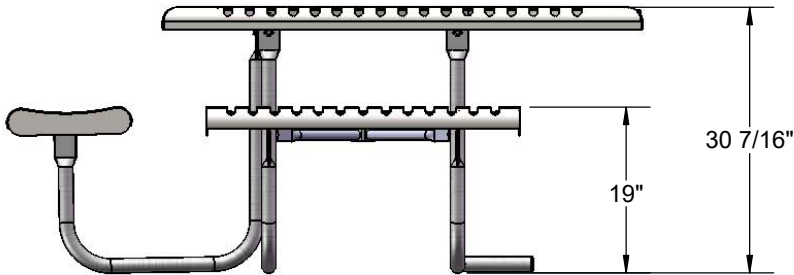
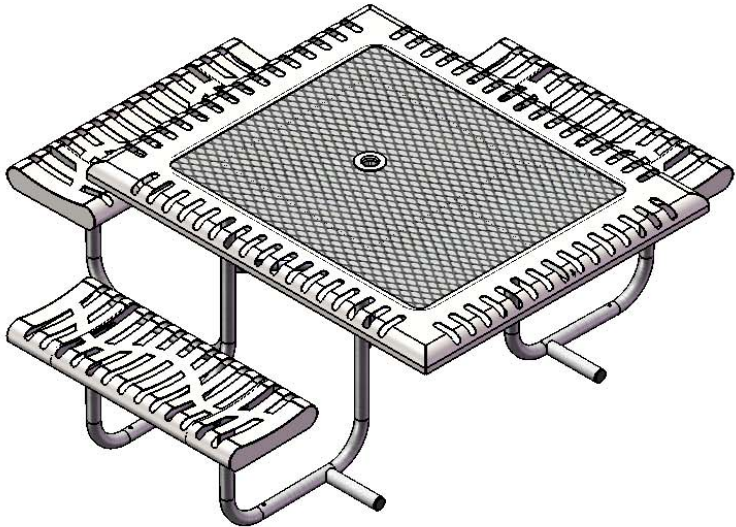
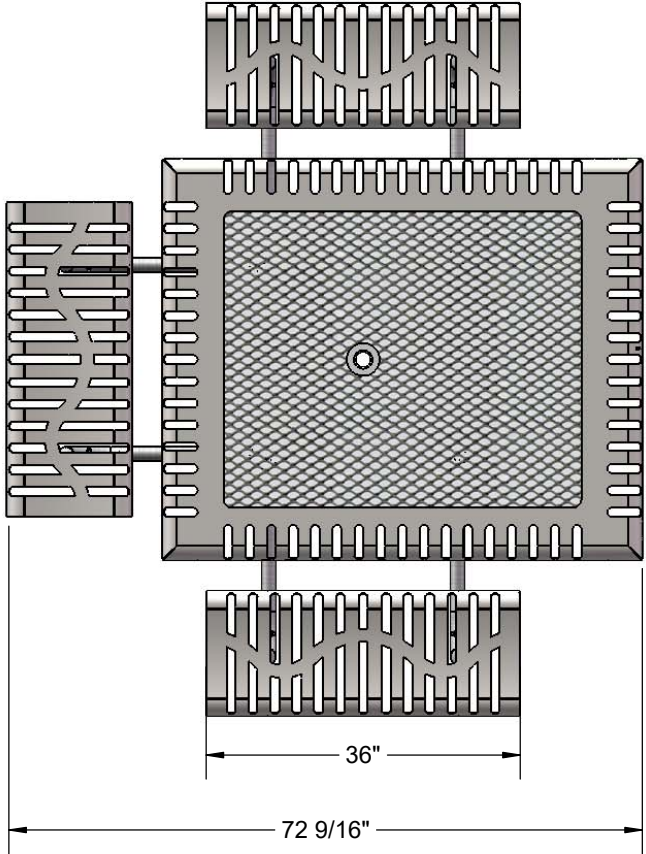
Superior[®]
RECREATIONAL PRODUCTS
A PLAYCORE Company

STEP 4



Attach the seats to the legs as shown using specified hardware.

OVERALL DIMENSIONS



Superior[®]
RECREATIONAL PRODUCTS
A PLAYCORE Company