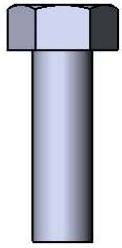
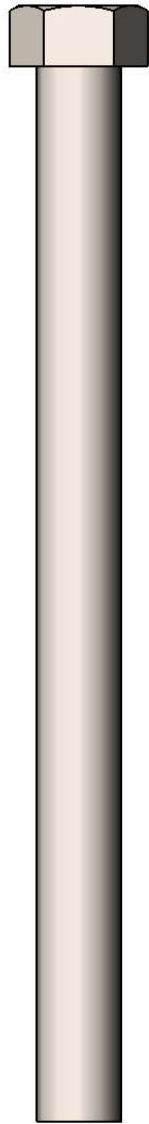


Model # T46CLASSPED-3SM

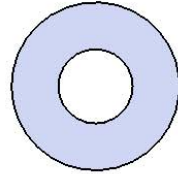
# HARDWARE



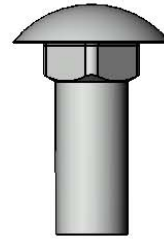
5/16" x 1"  
Machine Bolt



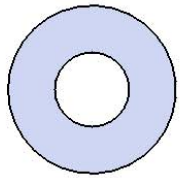
7/16" x 5-1/2"  
Machine Bolt



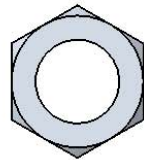
7/16" Washer



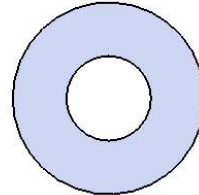
3/8" x 1"  
Carriage Bolt



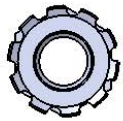
5/16" Washer



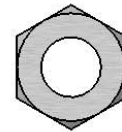
7/16" Hex Nut



3/8" Washer



5/16" Kep Nut



3/8" Hex Nut

# PRODUCT SPECIFICATIONS

## **T46CLASSPED-3SM SURFACE MOUNT TABLE WITH 3 SEATS**

Seat & Back: 11 gauge sheet steel is die formed with laser cut design . Seat support pieces are 11 gauge laser cut sheet steel. Top has 7 gauge x 1-1/2" flat bar center support and mounting bracket understructure. All electrically MIG welded.

Coating: Oven fused functionalized polyethylene copolymer-based thermoplastic. Fluidized bed coating application with superior mechanical performance, impact resistance and UV-stability.

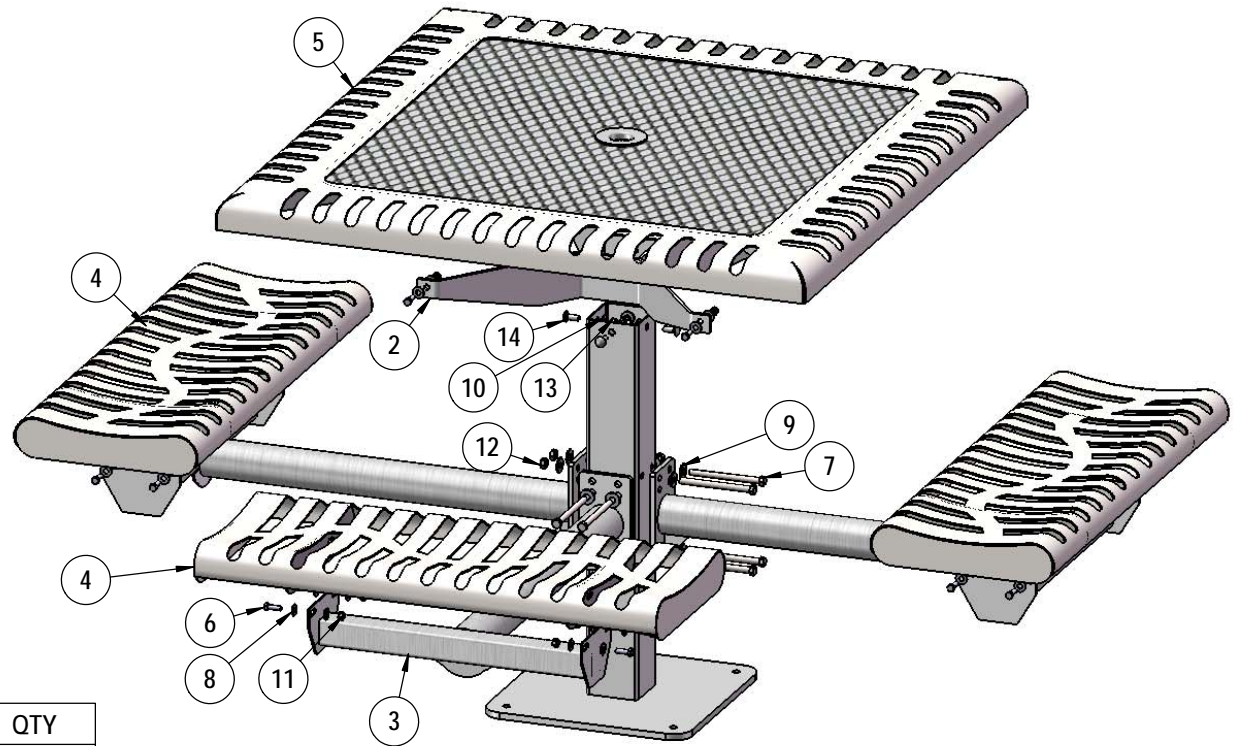
Frame: Main support column is 4"x4"x11 gauge pre-galvanized structural steel tubing. Arms are fabricated from 2-7/8" O.D. x 12 gauge pre-galvanized structural steel tubing welded to 1/4" precision punched plates for attachment to the main column and 2"x2"x3/16" structural steel angle for lateral seat support. Seat attachment points are 10 gauge precision punched tabs. Table top attachment structure is fabricated from 2"x2"x3/16" structural steel angle and top attachment points are 7 gauge x 1-1/2" steel flat bar. Surface mount plate is 16" x 16" x 1/2" thick.

Frame Coating: Electrostatic powder coated application oven cured.

Hardware: All stainless steel hardware fasteners.

Dimensions: Top is 46" square x 30-1/4" high. Seats are 14-5/16" wide x 36" long x 18-9/16" high. Outside to outside dimensions are 79" x 63-1/2" x 30-1/4" high.

# COMPONENTS

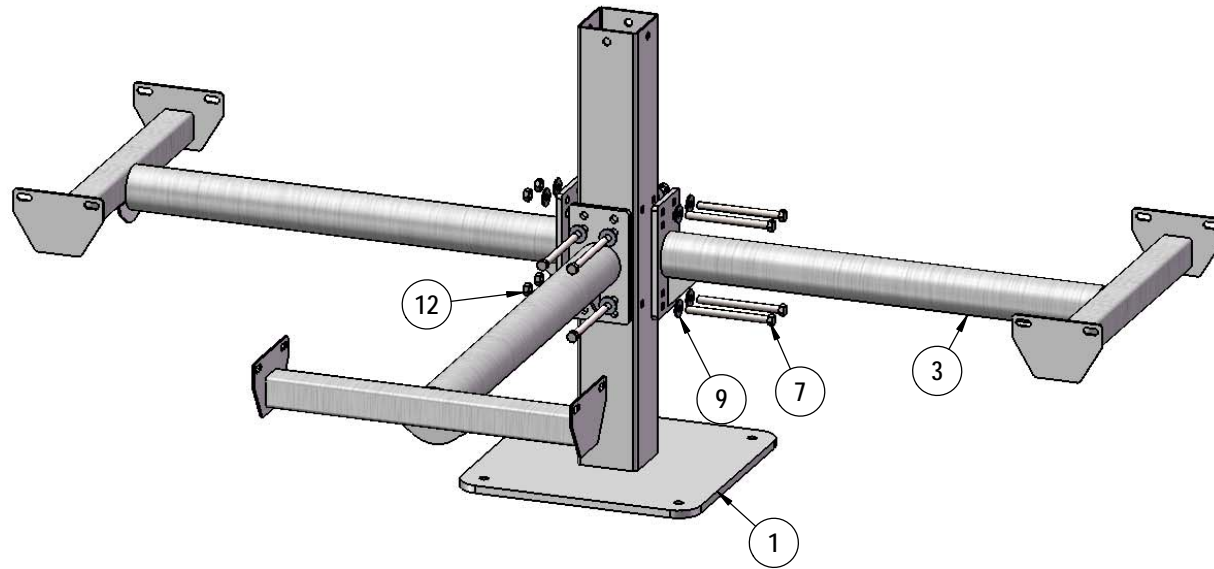


| ITEM NO. | PartNo       | DESCRIPTION                  | QTY |
|----------|--------------|------------------------------|-----|
| 1        | 338SM        | 338 SM post asem             | 1   |
| 2        | P-01-04-0150 | H Bracket                    | 1   |
| 3        | P-V338-ARM   | 338 vinyl arm                | 3   |
| 4        | CLASS36-S    | Classic 36" Seat             | 3   |
| 5        | CLASS46-T    | Classic Top 46" square       | 1   |
| 6        | 33-05-0029   | 5/16" x 1" Machine Bolt (SS) | 16  |
| 7        | 33-06-0050   | 7/16" x 5-1/2" Machine Bolt  | 8   |
| 8        | 33-02-0007   | 5/16" SS Washer              | 32  |
| 9        | 33-02-0004   | 7/16" SS Washer              | 16  |
| 10       | 33-02-0008   | 3/8" Flat Washer (SS)        | 4   |
| 11       | 33-03-0012   | 5/16" Kep Nut (SS)           | 16  |
| 12       | 33-01-0006   | 7/16" Hex Nut (Zinc)         | 8   |
| 13       | 33-01-0018   | 3/8" Hex Nut (SS)            | 4   |
| 14       | 33-06-0042   | 3/8" x 1" Carriage Bolt (SS) | 4   |

Recommended Surface Mount Hardware:  
 3/8" x 3-1/2" Concrete Expansion Anchor Bolts  
 (Not Included)

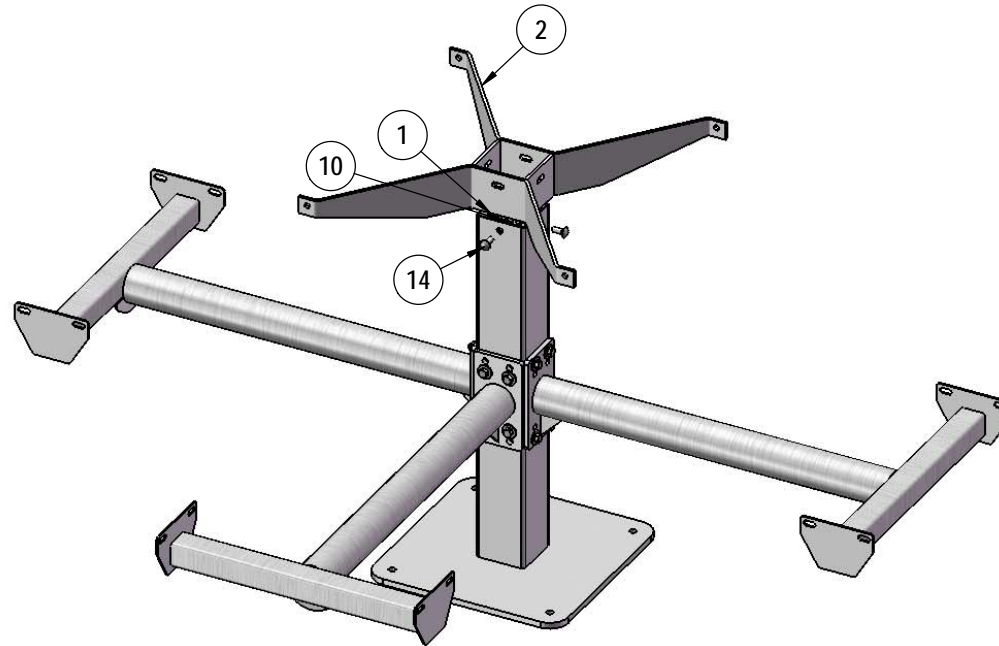
**Superior**<sup>®</sup>  
 RECREATIONAL PRODUCTS  
A PLAYCORE Company

# STEP 1



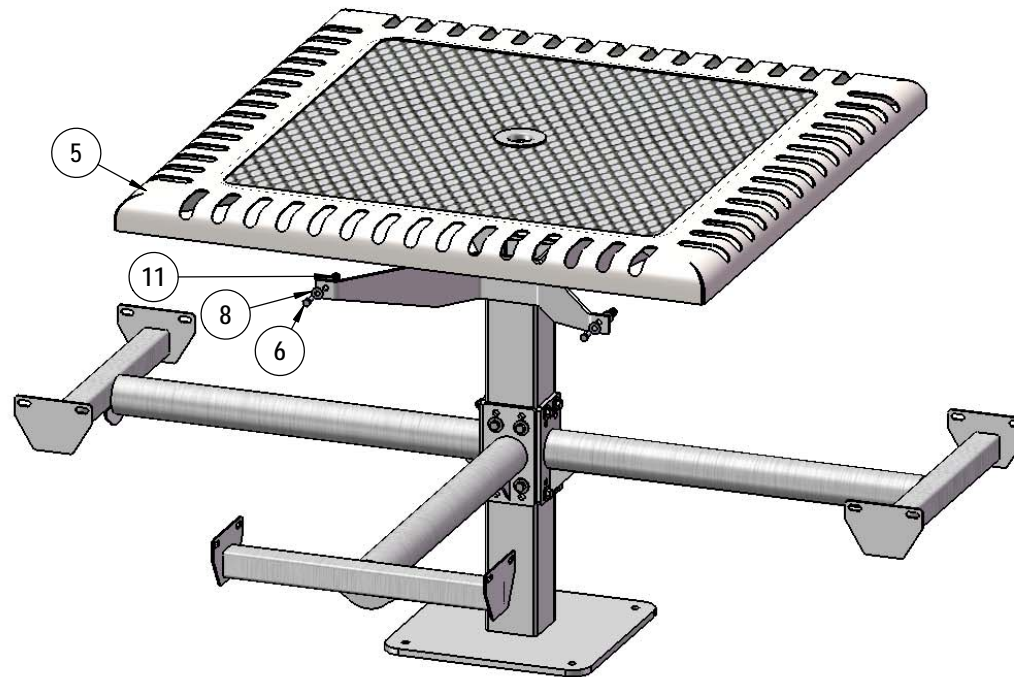
Attach the seat arms to the post as shown using specified hardware.

## STEP 2



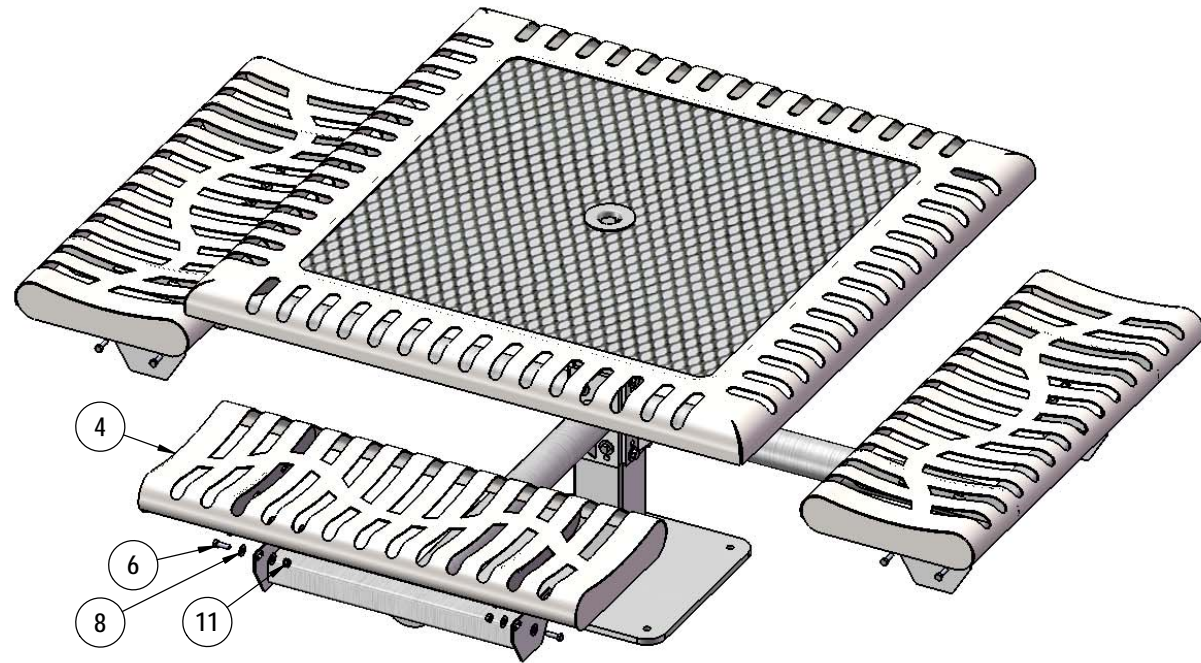
Attach the H Bracket to the post as shown using specified hardware.

## STEP 3



Attach the top to the H Bracket as shown using specified hardware.

## STEP 4



Attach the seats to the seat arms as shown using specified hardware.



# OVERALL DIMENSIONS

