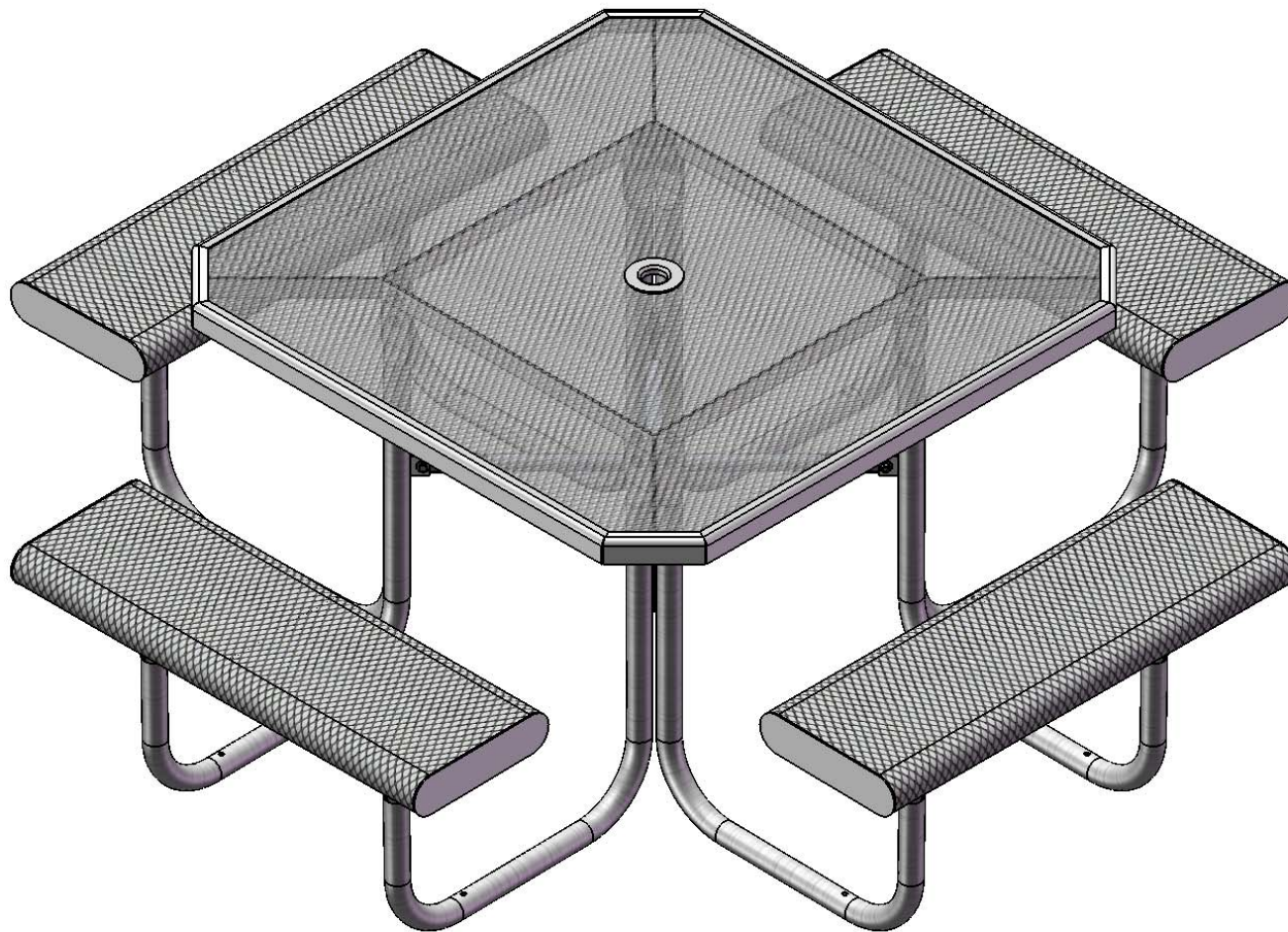


# Site Amenities

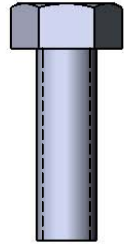
BY SUPERIOR RECREATIONAL PRODUCTS



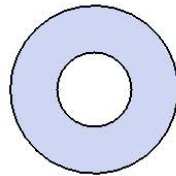
Model #  
T46OCTROLL

**S** SUPERIOR<sup>®</sup>  
RECREATIONAL PRODUCTS  
A PLAYCORE Company

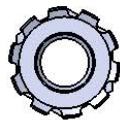
# HARDWARE



5/16" X 1"  
Machine Bolt



5/16" Washer



5/16" Kep Nut

# PRODUCT SPECIFICATIONS

## **T46OCTROLL 46" PORTABLE TABLE WITH 4 SEATS**

Top & Seats: 11 gauge die formed angle frame 1"x1-7/8". 3/4" #9 steel expanded metal. 7 gauge x 1-1/2" flat bar center support and mounting bracket understructure. Top is additionally supported to the corners with 7 gauge x 1-1/2" flat bar. Seats are supported by 7 gauge x 3" flat bar center support and mounting bracket understructure. Seats ends are capped by 10 gauge x 3" flat bar with rounded ends for a clean look. Electrically MIG welded.

Coating: Oven fused functionalized polyethylene copolymer-based thermoplastic. Fluidized bed coating application with superior mechanical performance, impact resistance and UV-stability.

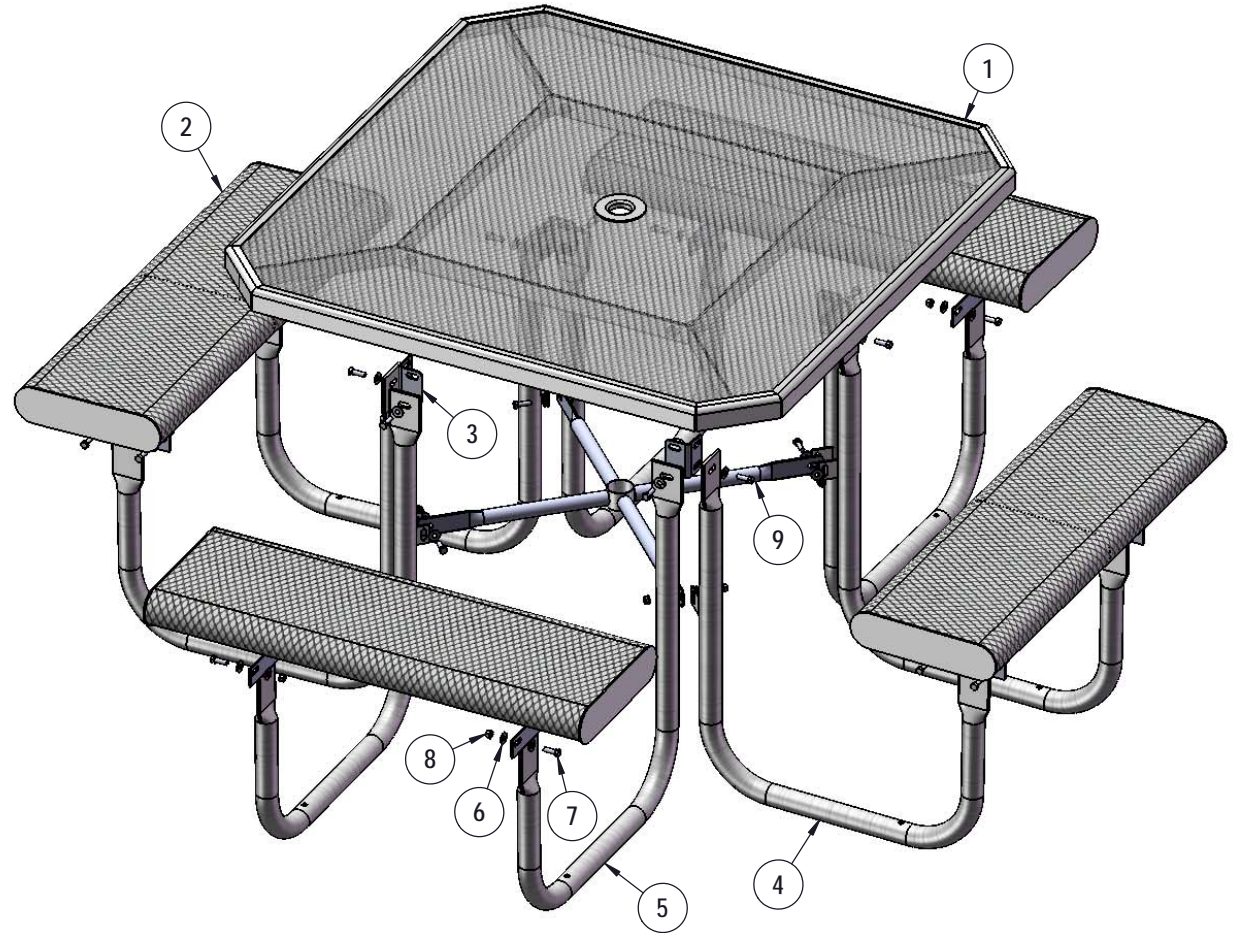
Frame: 1-5/8" O.D. x 14 gauge pre-galvanized structural steel tubing. Brace attachment points are 1-1/2"x2"x3/16" steel flat bar. Cross braces 1" O.D. x 16 gauge pre-galvanized structural steel tubing. Top is attached with 7 gauge 2"x2" die formed angle. Seat mounting points are 7 gauge x 1-1/2" die stamped steel flat bar. Legs are bent over a mandrel through the bend radius producing a wrinkle free bend. All electrically MIG welded.

Frame Coating: Electrostatic powder coated application oven cured.

Hardware: All stainless steel hardware fasteners.

Dimensions: Top is 46" square x 30" high. Seats are 12" wide x 36" long x 19-1/2" high. Outside to outside dimensions of the 4 seat table is 77-3/4" square.

# COMPONENTS

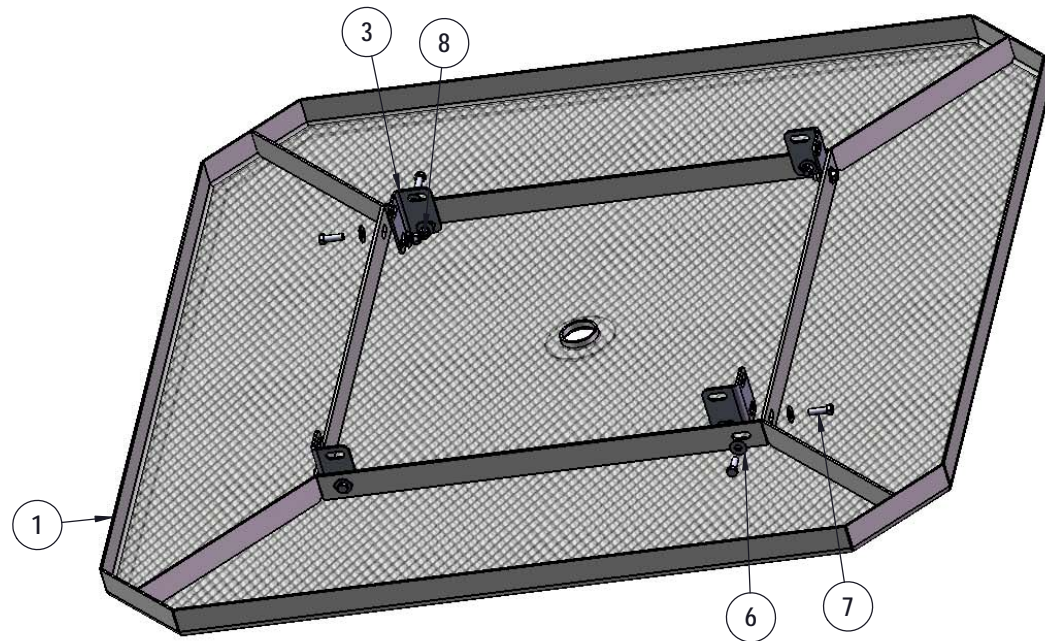


ITEM NO.	PartNo	DESCRIPTION	QTY
1	T-OV46-T	46" Octagon Expanded Top	1
2	T-VR36-S	3' Vinyl Rolled Seat	4
3	P-01-04-0121	358 Extension Tab	4
4	P-V358-L	358 Vinyl Leg L	4
5	P-V358-R	358 Vinyl Leg R	4
6	33-02-0007	5/16" SS Washer	72
7	33-05-0029	5/16" x 1" Machine Bolt (SS)	36
8	33-03-0012	5/16" Kep Nut (SS)	36
9	P-01-04-0122	358 Crossbrace w/ Umbrella Tube	1

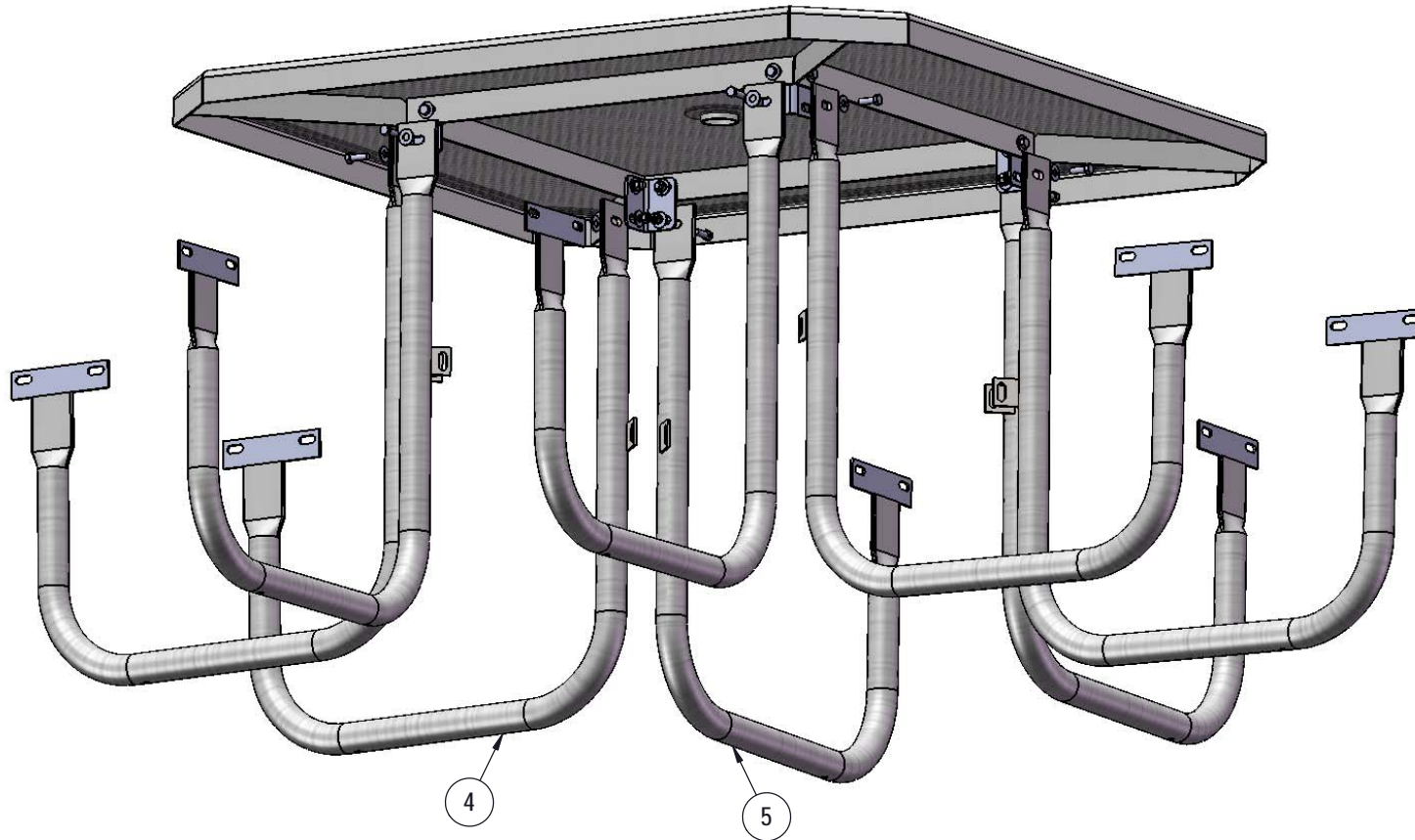


# STEP 1

Attach the Extension Tabs to the 46" Round Top using specified hardware.

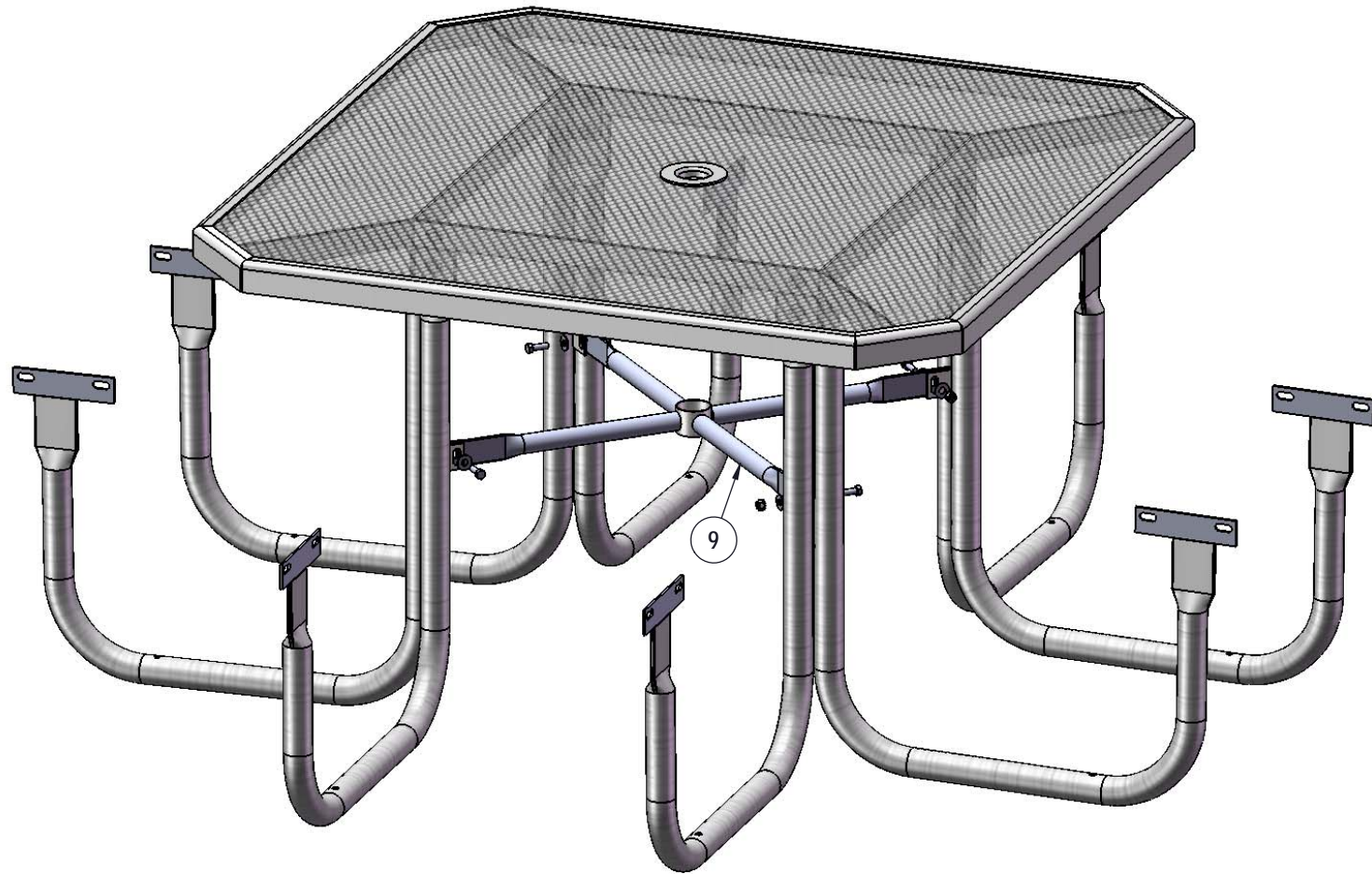


## STEP 2



Attach the Legs to the Extension Tabs using specified hardware.

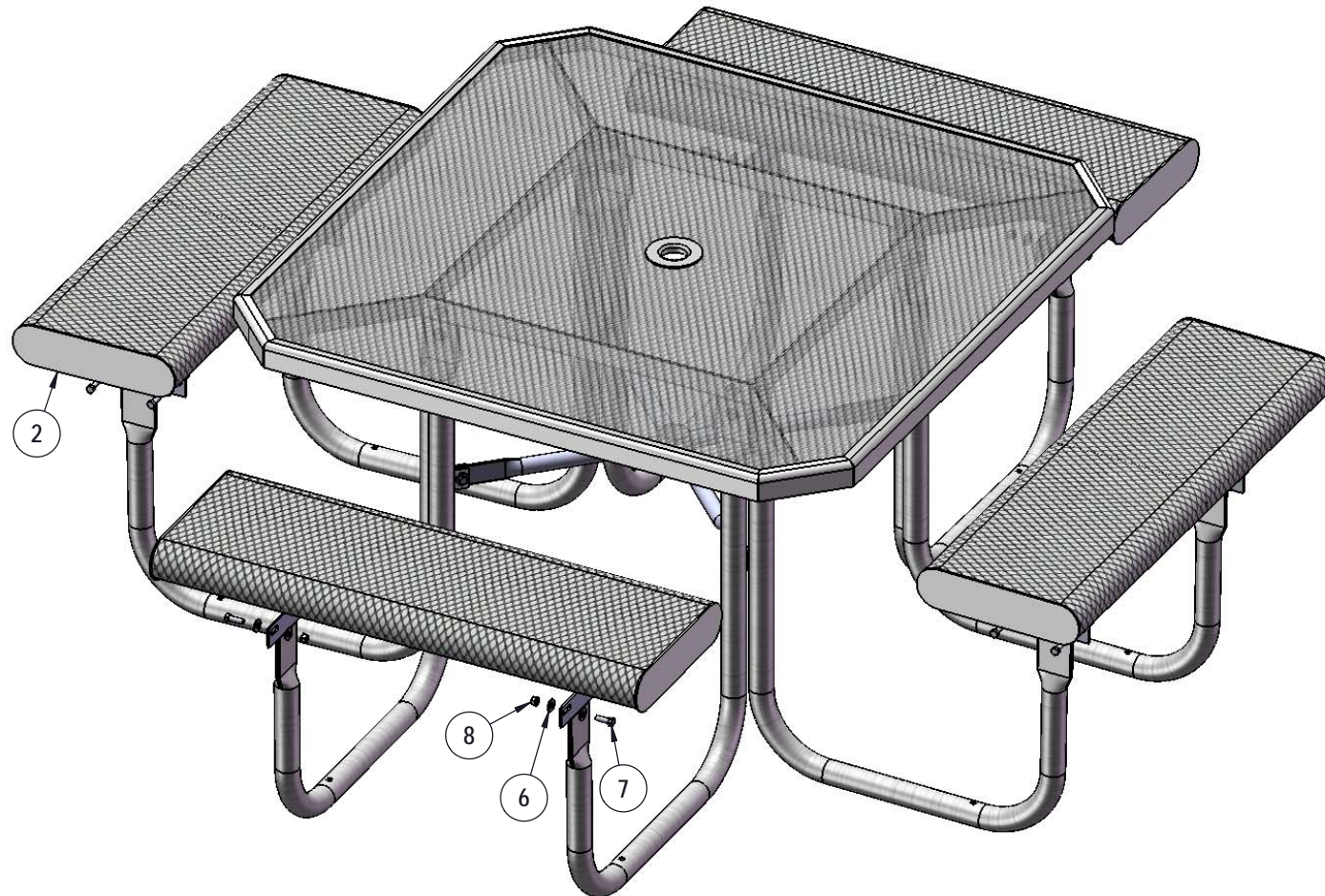
## STEP 3



Attach the Crossbrace between the table legs as shown using specified hardware.



## STEP 4



Attach the 3' Seats to the Legs using specified hardware.



# OVERALL DIMENSIONS

