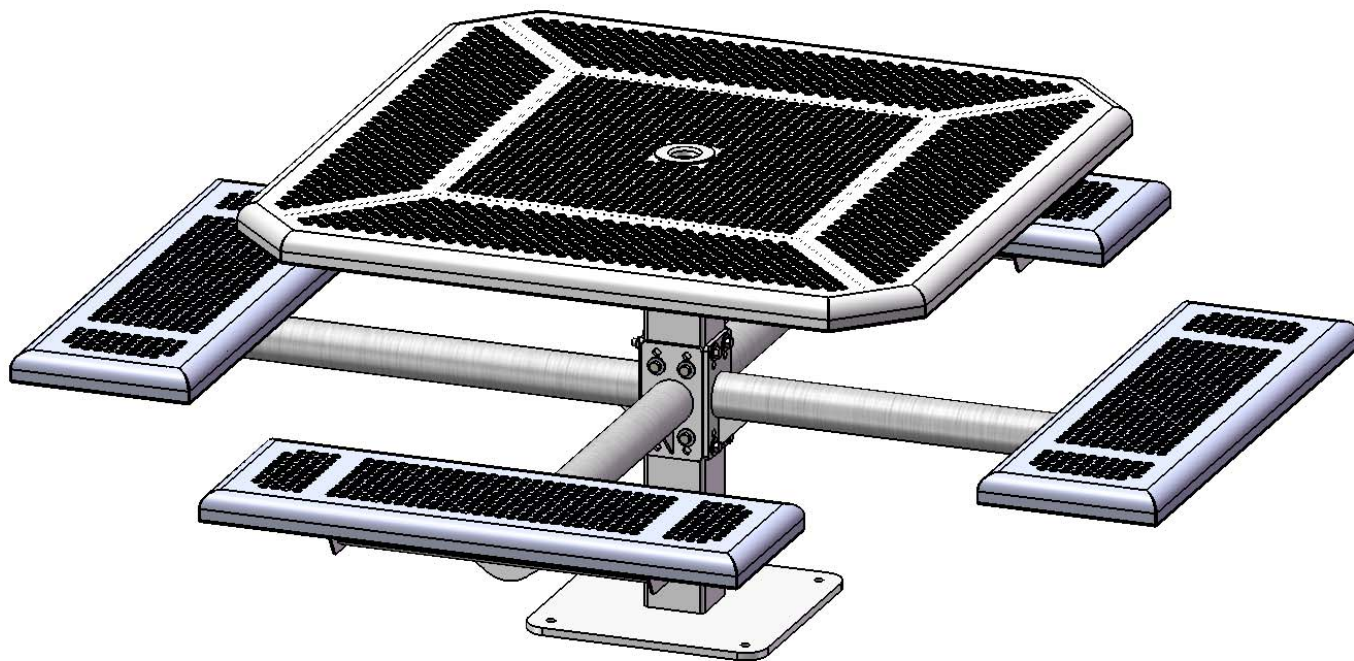


# Site Amenities

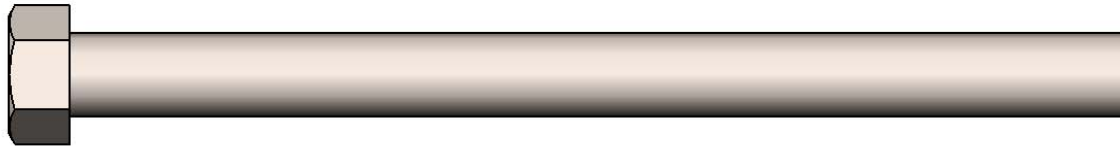
BY SUPERIOR RECREATIONAL PRODUCTS



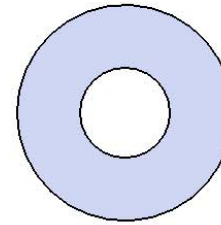
Model #  
T46OCTROLLPEDSM

 **SUPERIOR**<sup>®</sup>  
RECREATIONAL PRODUCTS  
A **PLAYCORE** Company

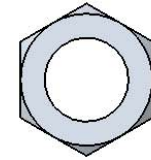
# HARDWARE



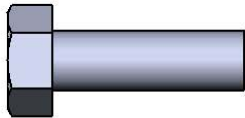
7/16" x 5-1/2"  
Machine Bolt



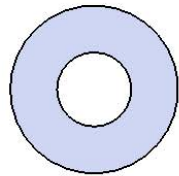
7/16" Washer



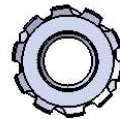
7/16" Hex Nut



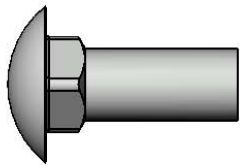
5/16" x 1"  
Machine Bolt



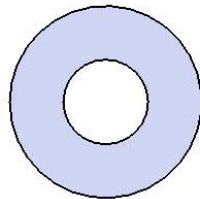
5/16" Washer



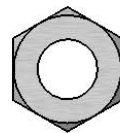
5/16" Kep Nut



3/8" x 1"  
Carriage Bolt



3/8" Washer



3/8" Hex Nut

# PRODUCT SPECIFICATIONS

## **T46OCTROLLPEDSM 46" OCTAGON SURFACE MOUNT TABLE WITH 4 SEATS**

**Top & Seats:** Top and seats shall have a 1-1/2" radius edge, fabricated from a 14ga. plate. Holes are precision punched at 5/8" diameter to create the punched hole pattern. 7ga. x 1-1/2" flat bar center support and mounting bracket understructure. Top is additionally diagonally supported to the corner with 7ga. x 1-1/2" flat bar. Electrically MIG welded.

**Coating:** Oven fused functionalized polyethylene copolymer-based thermoplastic. Fluidized bed coating application with superior mechanical performance, impact resistance and UV-stability.

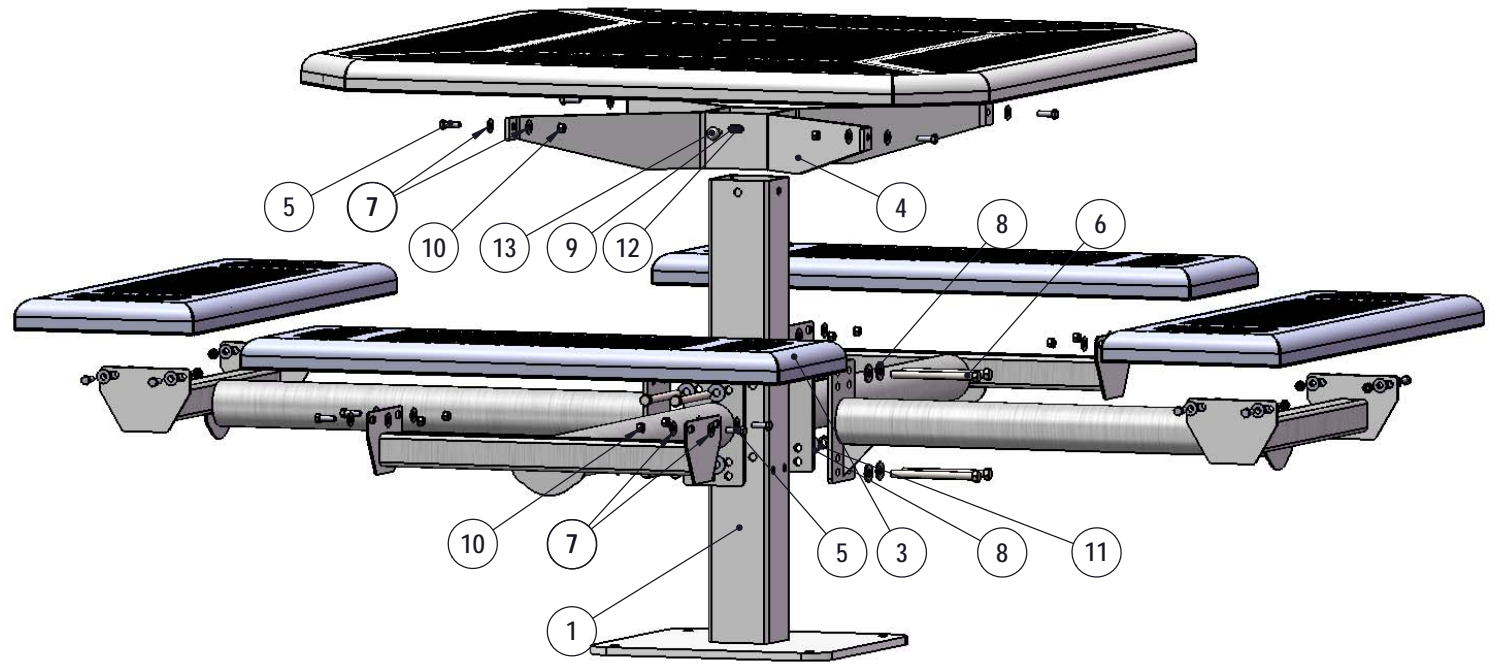
**Frame:** Main support column is 4"x4"x11 gauge pre-galvanized structural steel tubing. Arms are fabricated from 2-7/8" O.D. x 12 gauge pre-galvanized structural steel tubing welded to 1/4" precision punched plates for attachment to the main column and 2"x2"x3/16" structural steel angle for lateral seat support. Seat attachment points are 10 gauge precision punched tabs. Table top attachment structure is fabricated from 2"x2"x3/16" structural steel angle and top attachment points are 7 gauge x 1-1/2" steel flat bar. Surface mount plate is 16" x 16" x 1/2" thick. All electrically MIG welded.

**Frame Coating:** Electrostatic powder coated application oven cured.

**Hardware:** All stainless steel hardware fasteners.

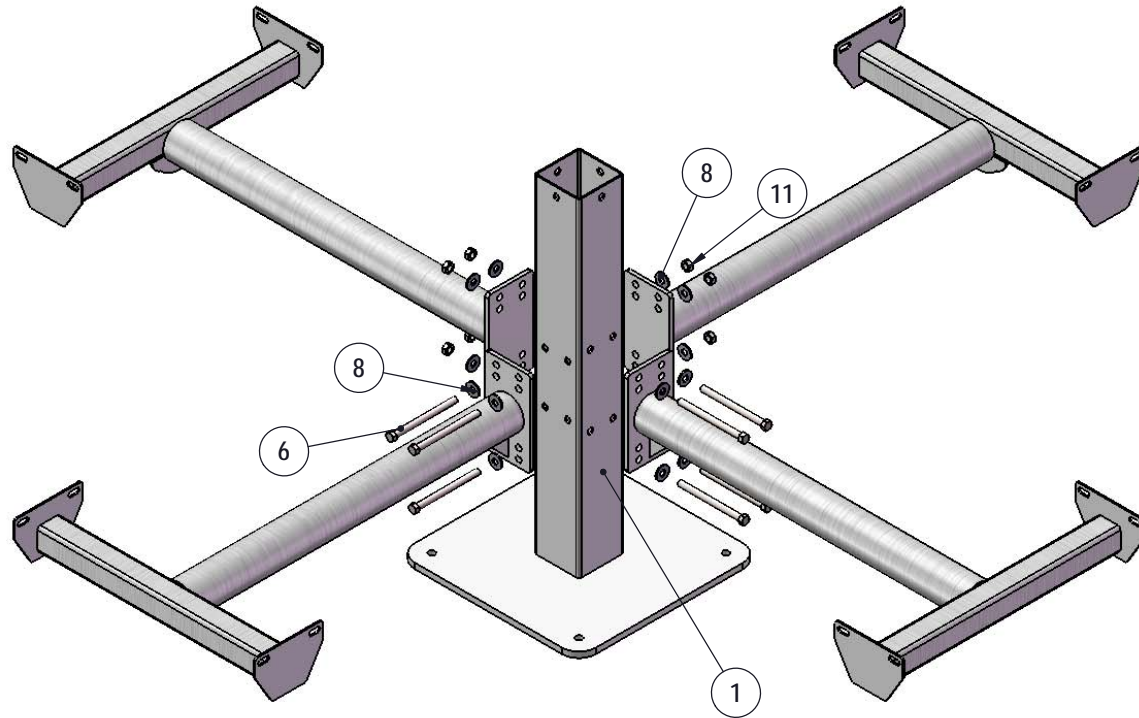
**Dimensions:** Top is 46" square x 30" high. Seats are 12" wide x 36" long x 18" high. Outside to outside dimensions of 4 seat table is 76-1/2" square.

# COMPONENTS



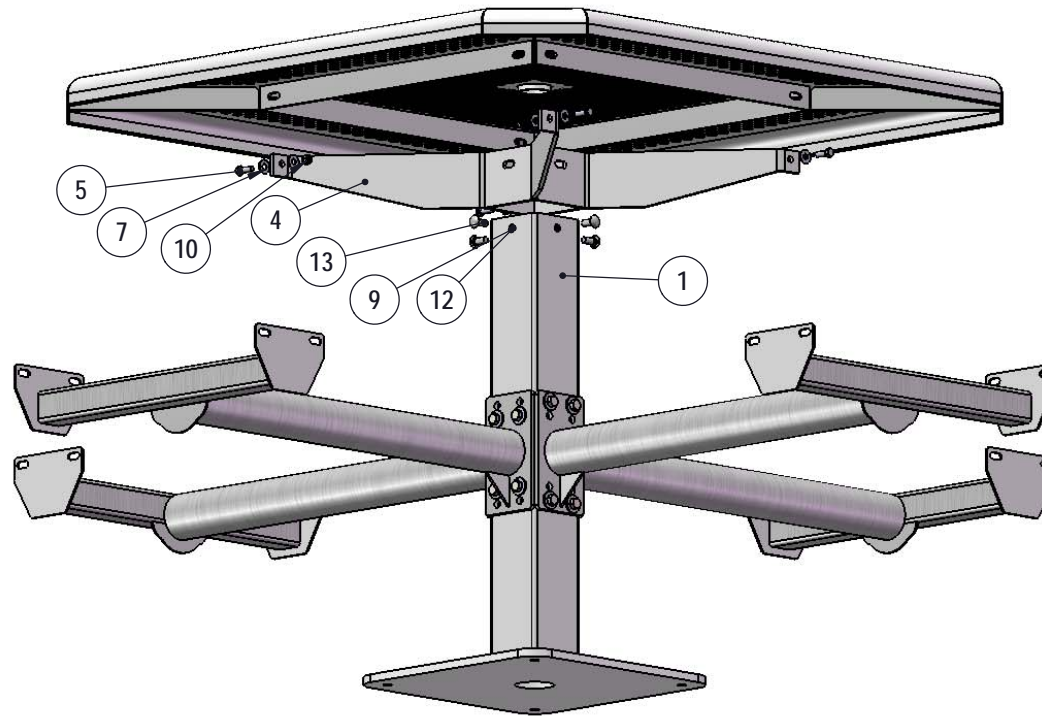
ITEM NO.	PartNo	DESCRIPTION	QTY
1	338SM	338 SM post asem	1
2	P-V338-ARM	338 vinyl arm	4
3	T-PR36-S	3' Punched Rolled Seat	4
4	P-01-04-0150	H Bracket	1
5	33-05-0029	5/16" x 1" Machine Bolt (SS)	20
6	33-06-0050	7/16" x 5-1/2" Machine Bolt	8
7	33-02-0007	5/16" SS Washer	40
8	33-02-0004	7/16" SS Washer	16
9	33-02-0008	3/8" Flat Washer (SS)	4
10	33-03-0012	5/16" Kep Nut (SS)	20
11	33-01-0006	7/16" Hex Nut (SS)	8
12	33-01-0018	3/8" Hex Nut (SS)	4
13	33-06-0042	3/8" x 1" Carriage Bolt (SS)	4
14	T-OPR46-T	46" Octagon Punched Rolled Top	1

# STEP 1



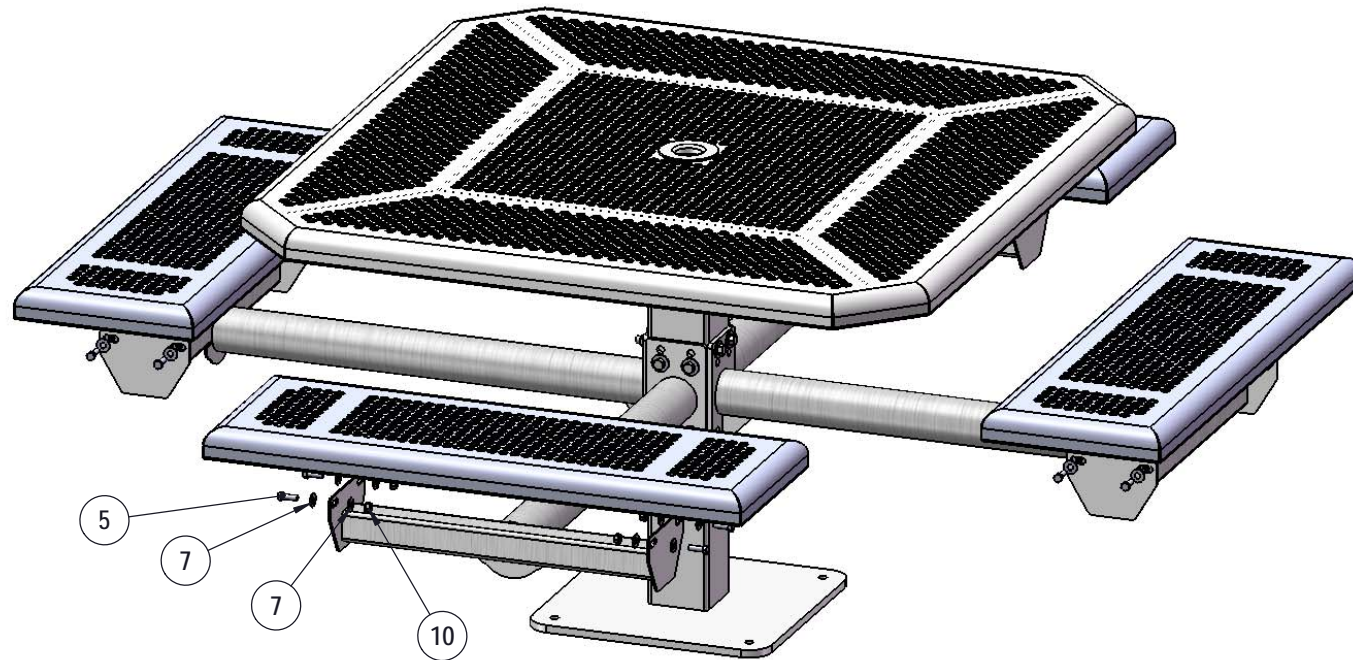
Attach the Arms to the Post using specified hardware.

## STEP 2



Attach the H-Bracket to the Post using specified hardware.  
Then Attach the 46" Octagon Top to the H-Bracket using specified hardware.

## STEP 3



Attach the 3' Seats to the Arms using specified hardware.

# OVERALL DIMENSIONS

