

# Site Amenities

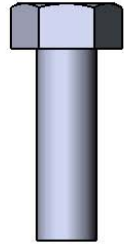
BY SUPERIOR RECREATIONAL PRODUCTS



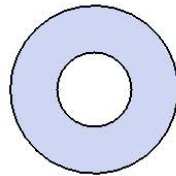
Model #  
T46RACS-3

 **SUPERIOR**<sup>®</sup>  
RECREATIONAL PRODUCTS  
A PLAYCORE Company

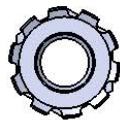
# HARDWARE



5/16" X 1"  
Machine Bolt



5/16" Washer



5/16" Kep Nut

# PRODUCT SPECIFICATIONS

## **T46RACS-3 46" ROUND PORTABLE TABLE WITH 3 SEATS**

Top & Seats: 11 gauge die formed angle frame 1"x1-7/8" with 3" radius on the seat corners. 3/4" #9 steel expanded metal. 7 gauge x 1-1/2" flat bar center support and mounting bracket understructure. Top is additionally supported to the outer frame with 7 gauge x 1-1/2" flat bar. Electrically MIG welded.

Coating: Oven fused functionalized polyethylene copolymer-based thermoplastic. Fluidized bed coating application with superior mechanical performance, impact resistance and UV-stability.

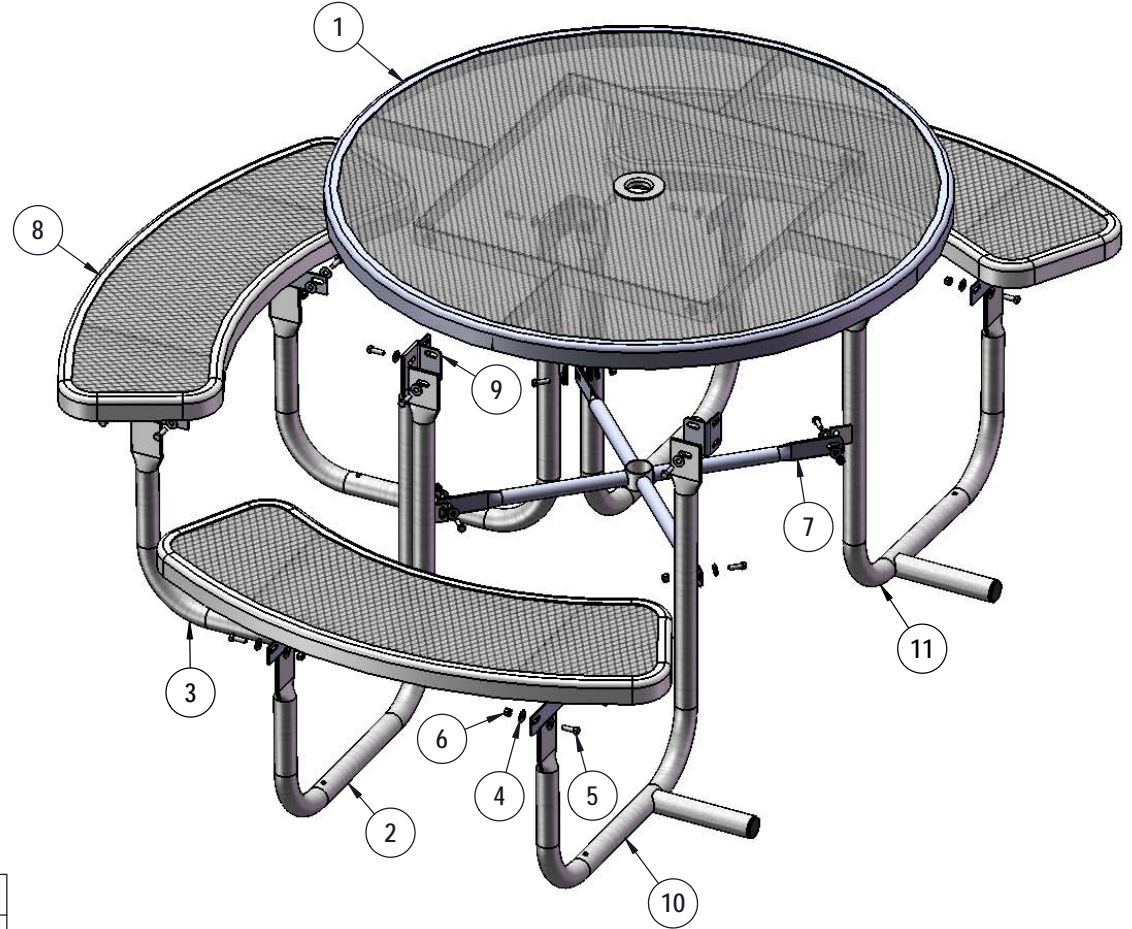
Frame: 1-5/8" O.D. x 14 gauge pre-galvanized structural steel tubing. Brace attachment points are 1-1/2"x2"x3/16" steel flat bar. Cross braces 1" O.D. x 16 gauge pre-galvanized structural steel tubing. Top is attached with 7 gauge 2"x2" die formed angle. Seat mounting points are 7 gauge x 1-1/2" die stamped steel flat bar. Legs are bent over a mandrel through the bend radius producing a wrinkle free bend. All electrically MIG welded.

Frame Coating: Electrostatic powder coated application oven cured.

Hardware: All stainless steel hardware fasteners.

Dimensions: Top is 46" round x 30" high. Seats are 12" wide x 40" long x 18-1/4" high. Outside to outside dimensions of 3 seat table is 82-1/4" x 70-3/4".

# COMPONENTS

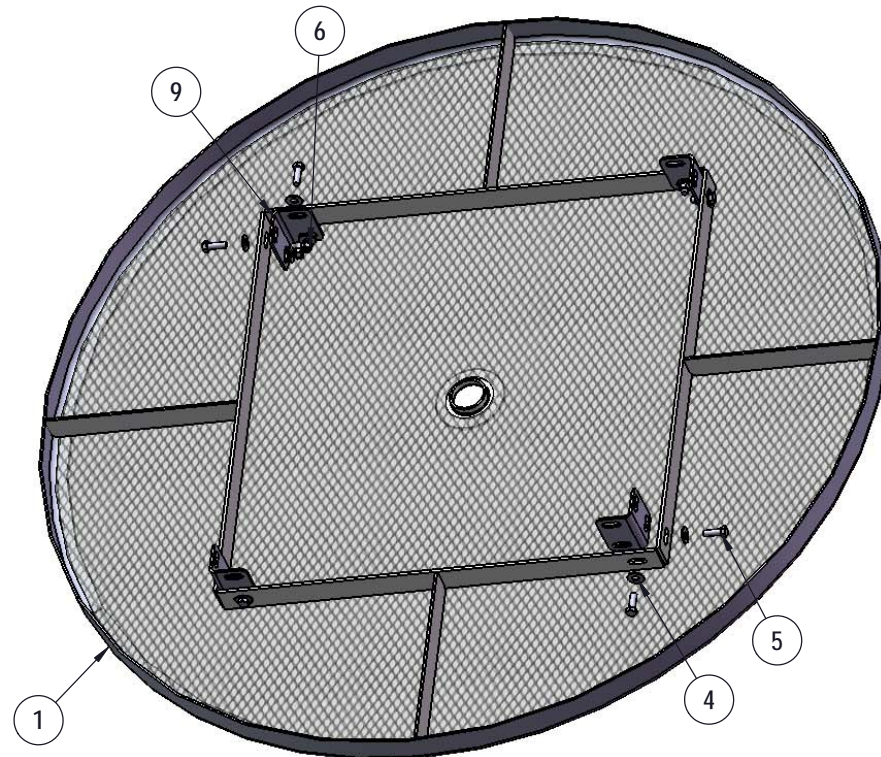


ITEM NO.	PartNo	DESCRIPTION	QTY
1	T-V46RD-T	46" Round Expanded Top	1
2	P-V358-L	358 Vinyl Leg L	2
3	P-V358-R	358 Vinyl Leg R	2
4	33-02-0007	5/16" SS Washer	60
5	33-05-0029	5/16" x 1" Machine Bolt (SS)	30
6	33-03-0012	5/16" Kep Nut (SS)	30
7	P-01-04-0122	358 Crossbrace w/ Umbrella Tube	1
8	T-V36RD-S	3' Expanded Round Seat	3
9	P-01-04-0121	358 Extension Tab	4
10	P-01-04-0441	358 Vinyl Leg RH	1
11	P-01-04-0440	358 Vinyl Leg LH	1

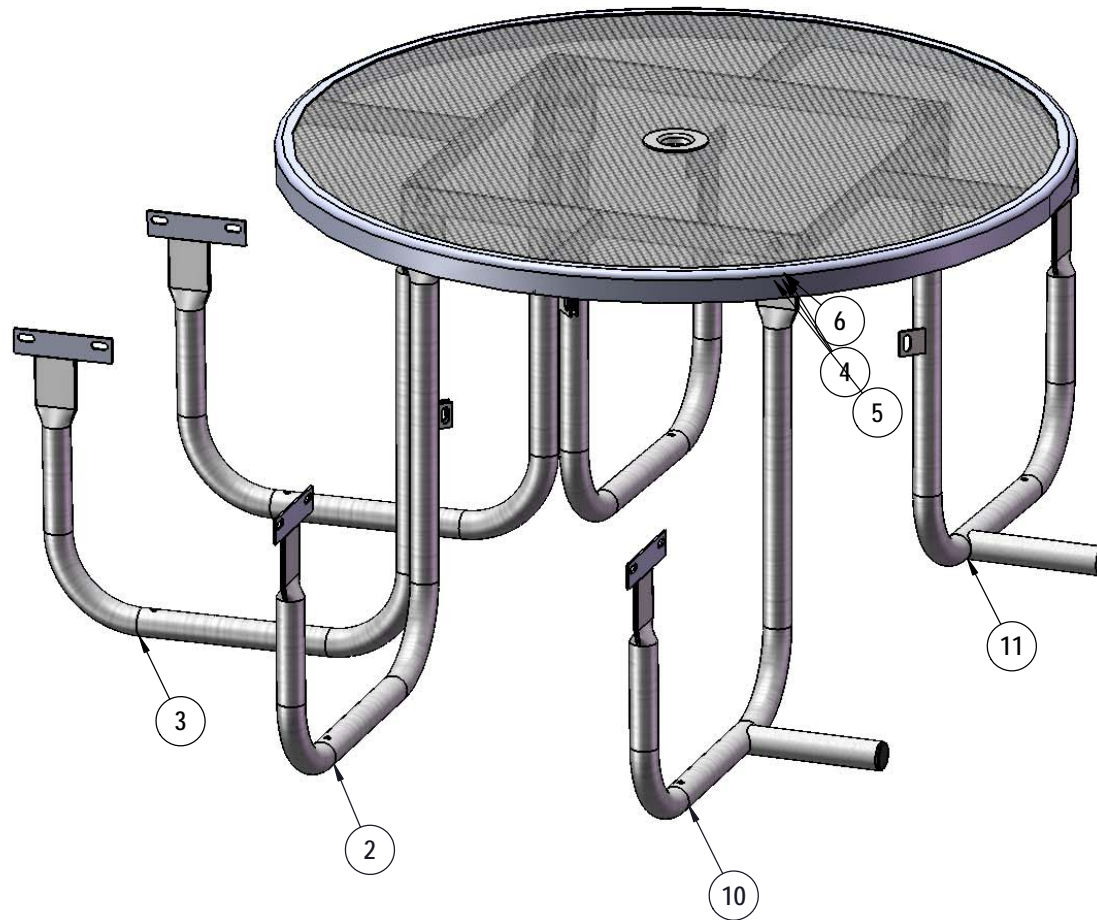


# STEP 1

Attach the Extension Tabs to the 46" Round Top using specified hardware.

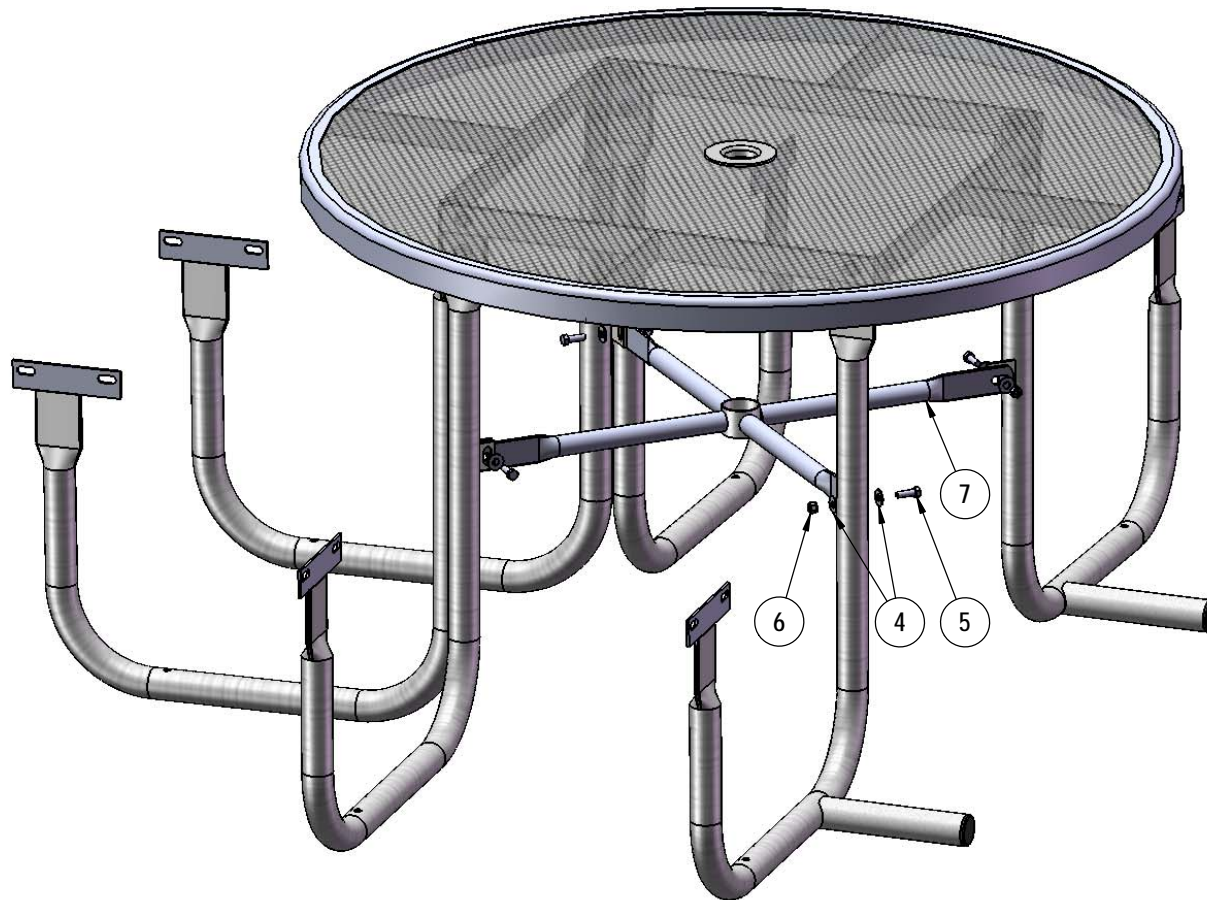


## STEP 2



Attach the Legs to the Extension Tabs using specified hardware.

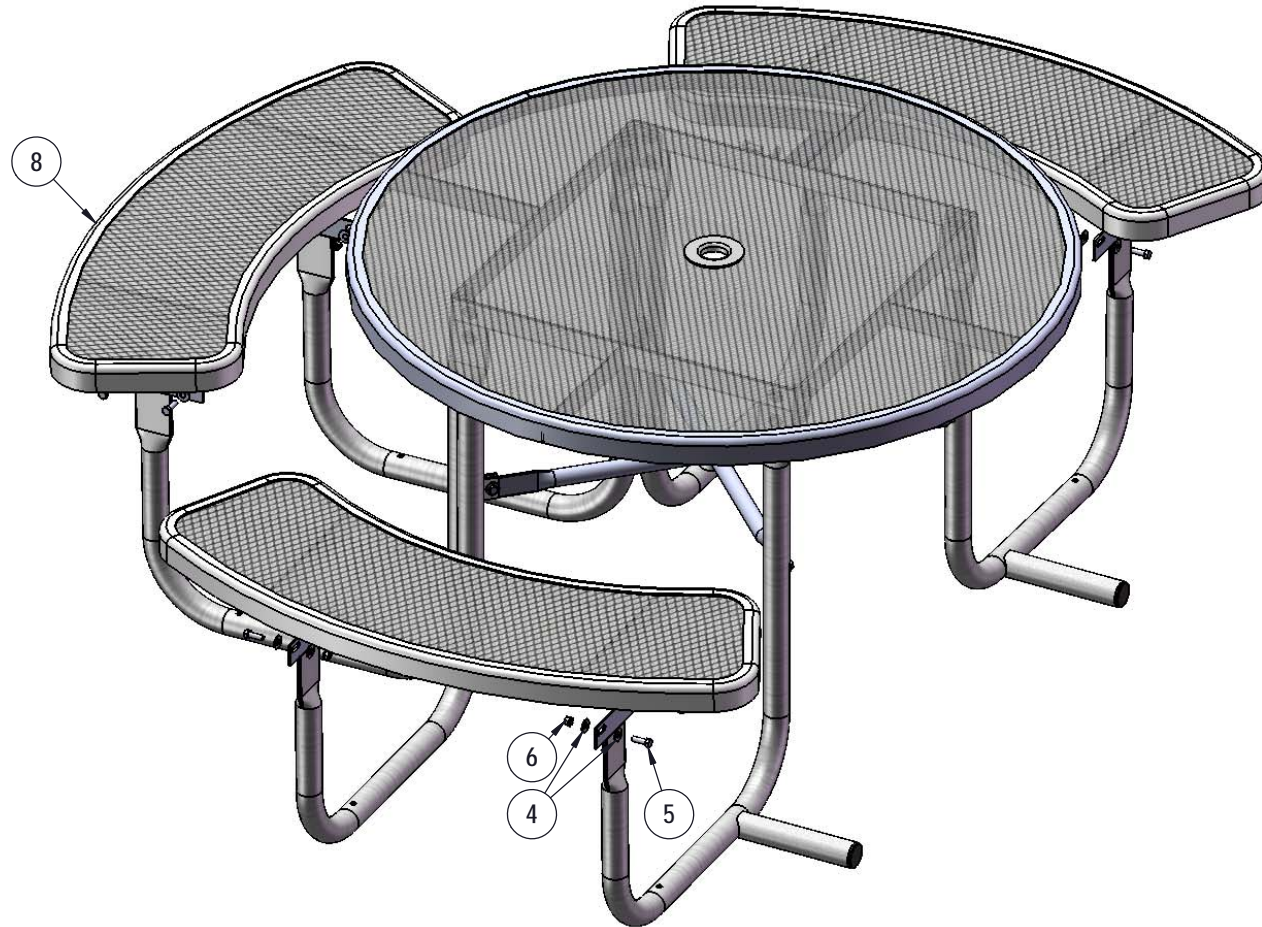
## STEP 3



Attach the Crossbrace between the table legs as shown using specified hardware.



## STEP 4



Attach the 3' Seats to the Legs using specified hardware.



# OVERALL DIMENSIONS

