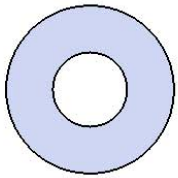


Model # T46WEBOCTPSM

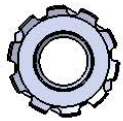
HARDWARE



5/16" x 1"
Machine Bolt



5/16" Washer



5/16" Kep Nut

PRODUCT SPECIFICATIONS

T46WEBOCTPSM SURFACE MOUNT TABLE WITH 4 SEATS

Top & Seats: 2" x 2" x 1/8" angle frame. 3/4" #9 steel expanded metal. 7 gauge x 1-1/2" flat bar center support and mounting bracket understructure. Top is additionally supported to the corners with 7 gauge x 1-1/2" flat bar. Electrically MIG welded.

Coating: Oven fused functionalized polyethylene copolymer-based thermoplastic. Fluidized bed coating application with superior mechanical performance, impact resistance and UV-stability.

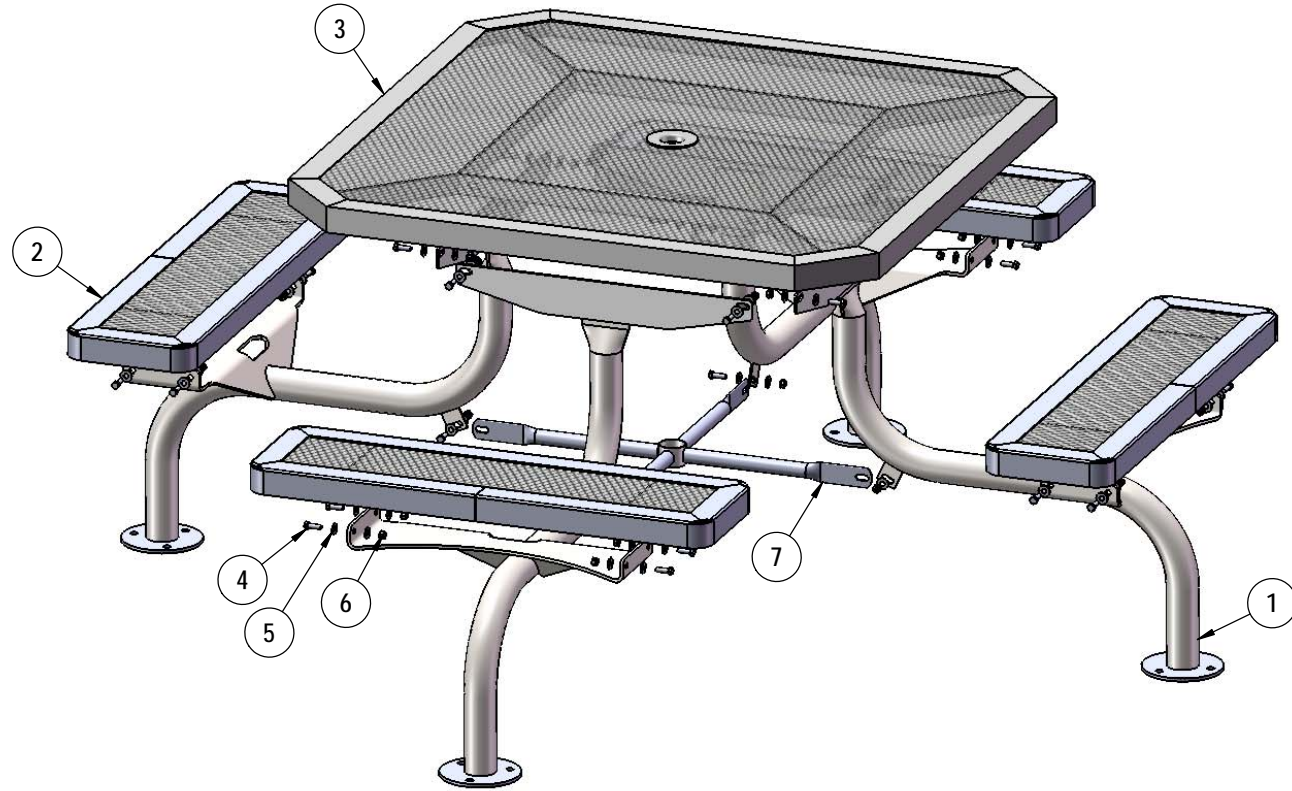
Frame: 2-3/8" O.D. x 13 gauge pre-galvanized structural steel tubing. Brace attachment points are 1-1/2"x2"x3/16" steel flat bar. Cross braces 1" O.D. x 16 gauge pre-galvanized structural steel tubing. Top is attached with 7 gauge 2"x2" die formed angle. Seat mounting points are 7 gauge x 1-1/2" die stamped steel flat bar. Legs are bent over a mandrel through the bend radius producing a wrinkle free bend. All electrically MIG welded.

Frame Coating: Electrostatic powder coated application oven cured.

Hardware: All stainless steel hardware fasteners.

Dimensions: Top is 46" square x 30" high. Seats are 10" wide x 36" long x 18" high. Outside to outside dimensions are 77-1/2" square x 30" high.

COMPONENTS

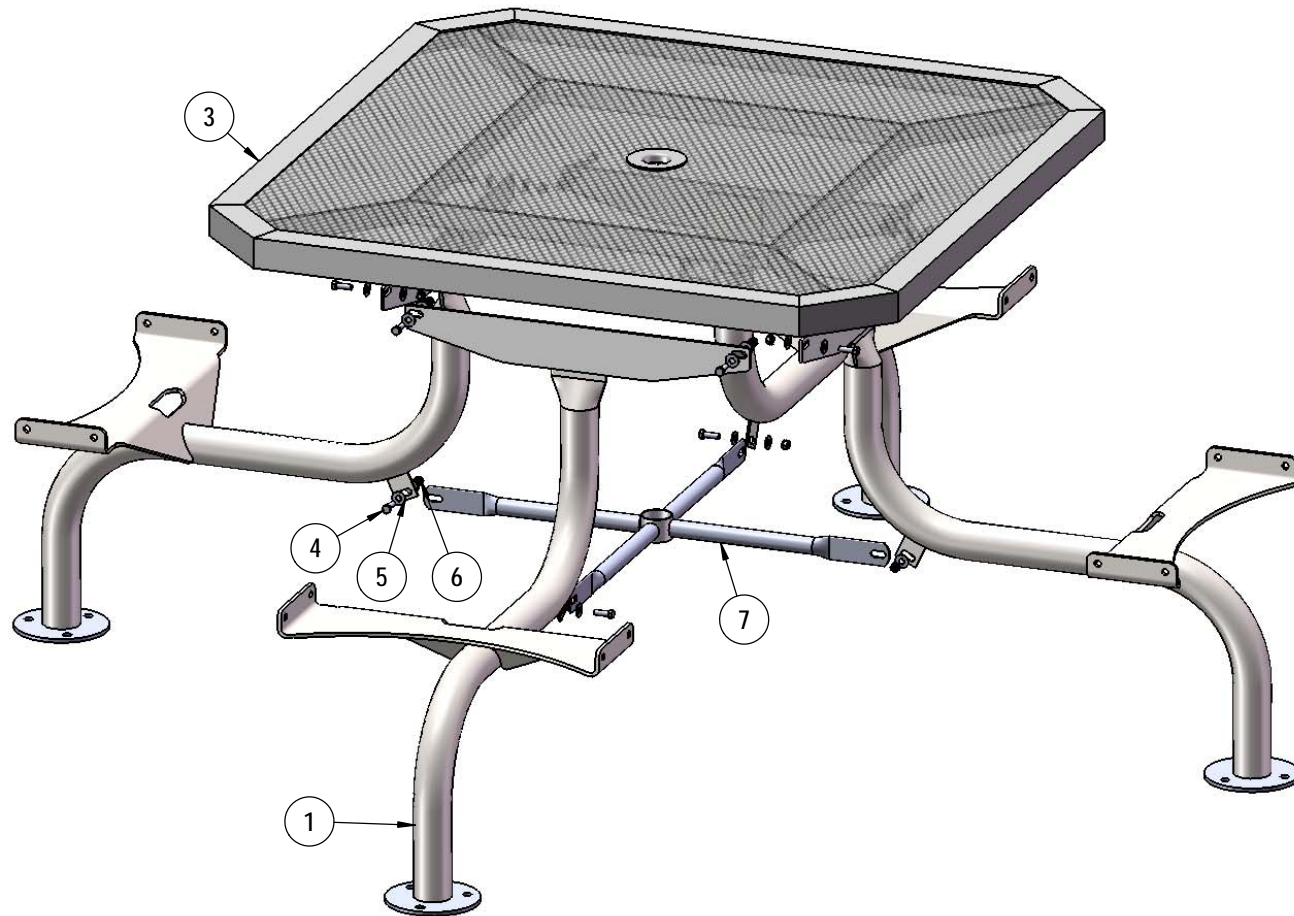


Optional Surface Mount Hardware:
 3/8" x 3-1/2" Concrete Expansion Anchor Bolts
 (Not Included)

ITEM NO.	PartNo	DESCRIPTION	QTY
1	P-V369SM	V369SM Leg	4
2	RC36-S	3' long x 10" wide regal expanded seat	4
3	T-ORC46-T	46" Octagon Regal Expanded Top	1
4	33-05-0029	5/16" x 1" Machine Bolt (SS)	28
5	33-02-0007	5/16" SS Washer	56
6	33-03-0012	5/16" Kep Nut (SS)	28
7	P-01-04-0122	358 Crossbrace w/ Umbrella Tube	1

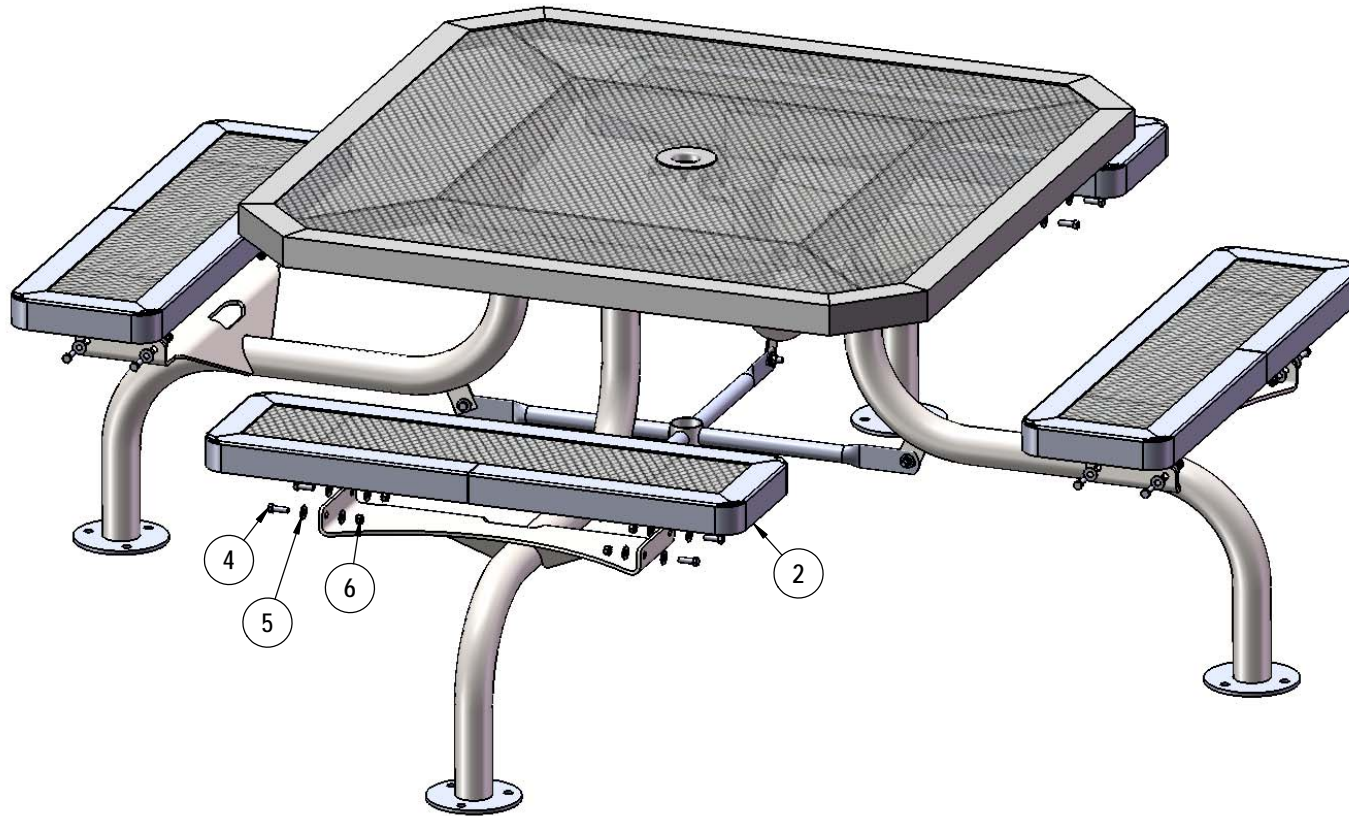
Superior[®]
 RECREATIONAL PRODUCTS
A PLAYCORE Company

STEP 1



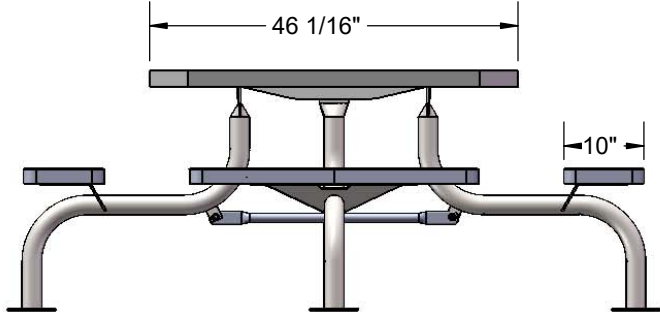
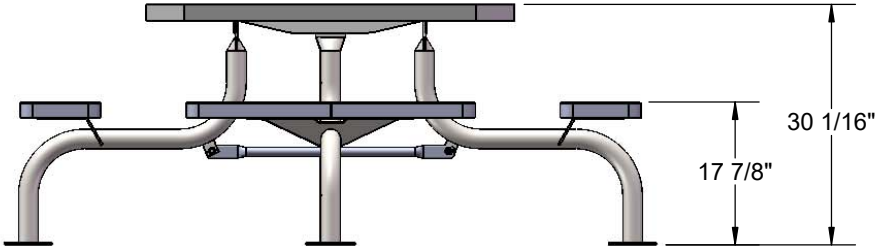
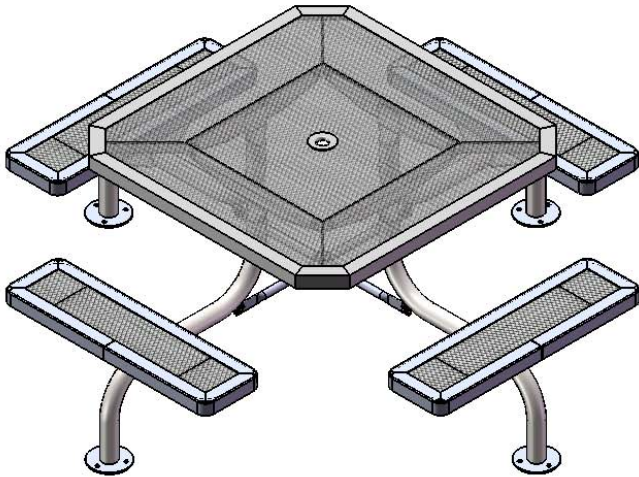
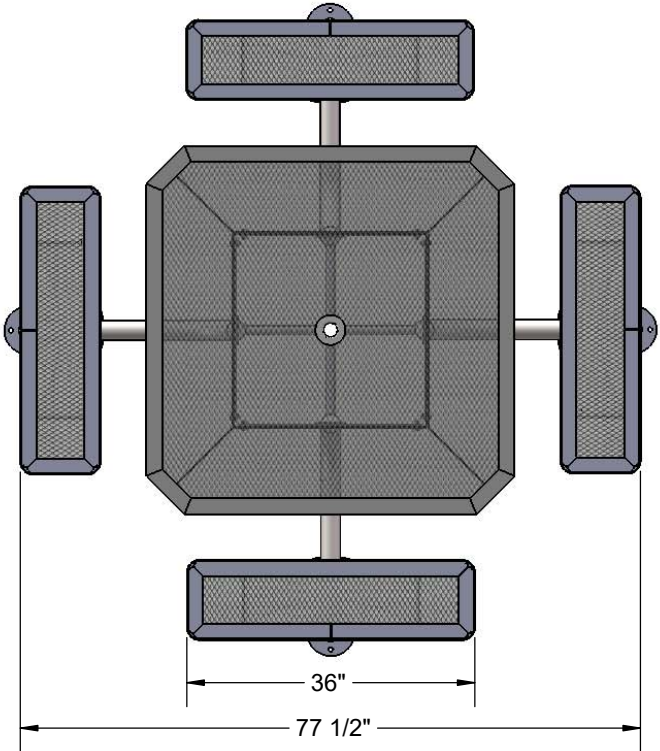
Attach the legs to the top as shown using specified hardware. Then attach the cross brace to the legs.

STEP 2



Attach the seats to the legs as shown using specified hardware.

OVERALL DIMENSIONS



Superior[®]
RECREATIONAL PRODUCTS
A PLAYCORE Company