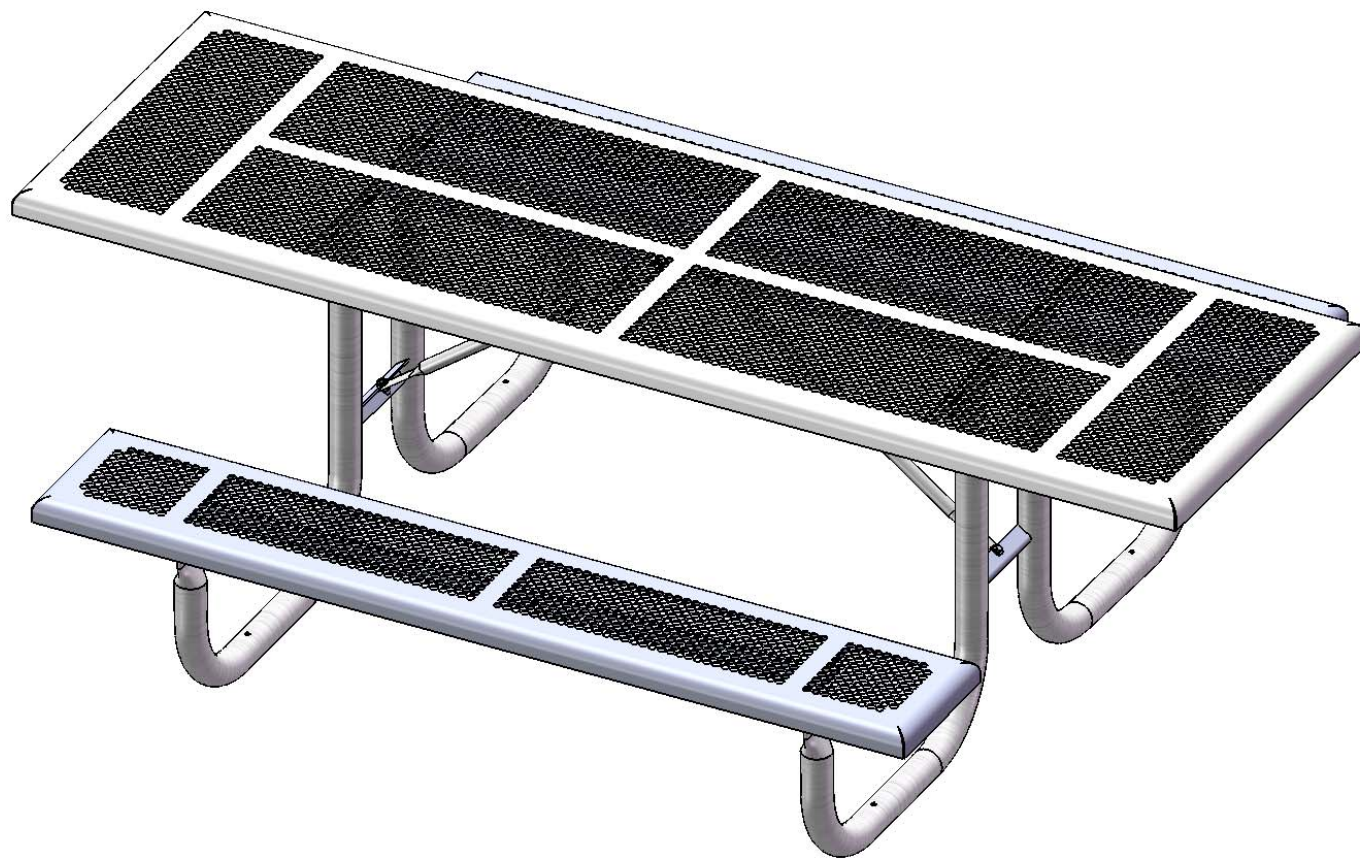


# Site Amenities

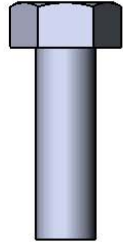
BY SUPERIOR RECREATIONAL PRODUCTS



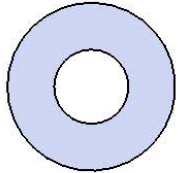
Model # T8PERFHDCPALT

**S** SUPERIOR<sup>®</sup>  
RECREATIONAL PRODUCTS  
A PLAYCORE Company

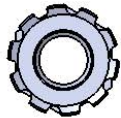
# HARDWARE



5/16" x 1"  
Machine Bolt



5/16" Washer



5/16" Kep Nut

# PRODUCT SPECIFICATIONS

## **T8PERFHDCPALT 8' PORTABLE ACCESSIBLE PICNIC TABLE WALK-THROUGH DESIGN**

**Top & Seats:** Top and seats shall have a 1 1/2" radius edge, fabricated from a 14ga plate. Holes are precision punched at 5/8" diameter. 7 gauge x 1-1/2" flat bar center support and mounting bracket understructure. Electrically MIG welded.

**Coating:** Oven fused functionalized polyethylene copolymer-based thermoplastic. Fluidized bed coating application with superior mechanical performance, impact resistance and UV-stability.

**Frame:** 2-3/8" O.D. x 12 gauge pre-galvanized structural steel tubing. Cross braces 1" O.D. x 16 gauge pre-galvanized structural steel tubing. Brace attachment points 1-1/2"x1-1/2"x3/16" steel angle. Seat and top mounting points 7 gauge x 1-1/2" die stamped steel flat bar. Legs are bent over a mandrel through the bend radius producing a wrinkle free bend. All electrically MIG welded.

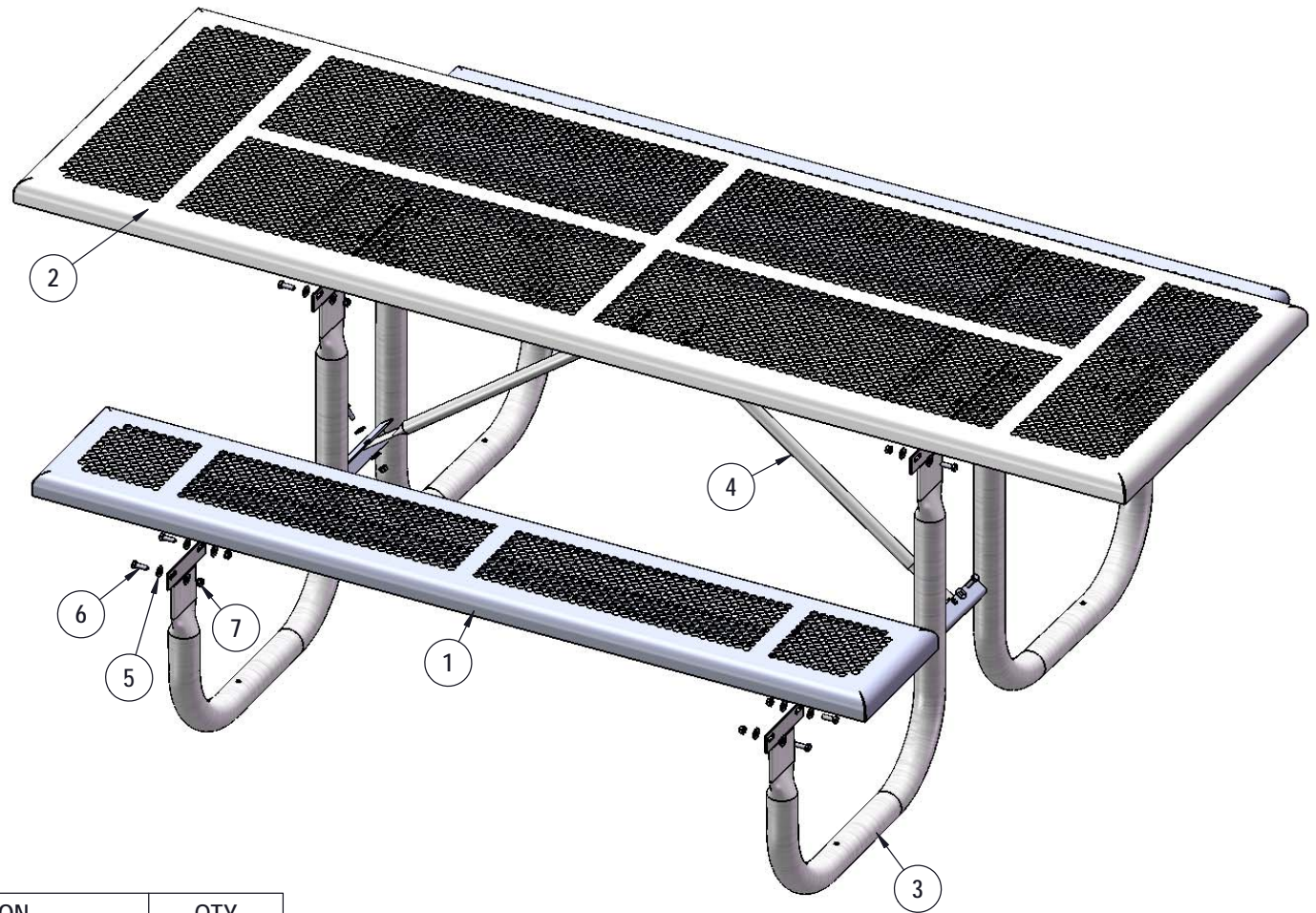
**Frame Coating:** Electrostatic powder coated application oven cured.

**Hardware:** All stainless steel hardware fasteners.

**Dimensions:** 8' portable accessible picnic table walk-through design. Top is 30" wide x 96" long and is 30-1/2" high. Seats are 12" wide x 72" long and 18-1/2" high. Outside to outside dimension is 68-1/2" x 96".

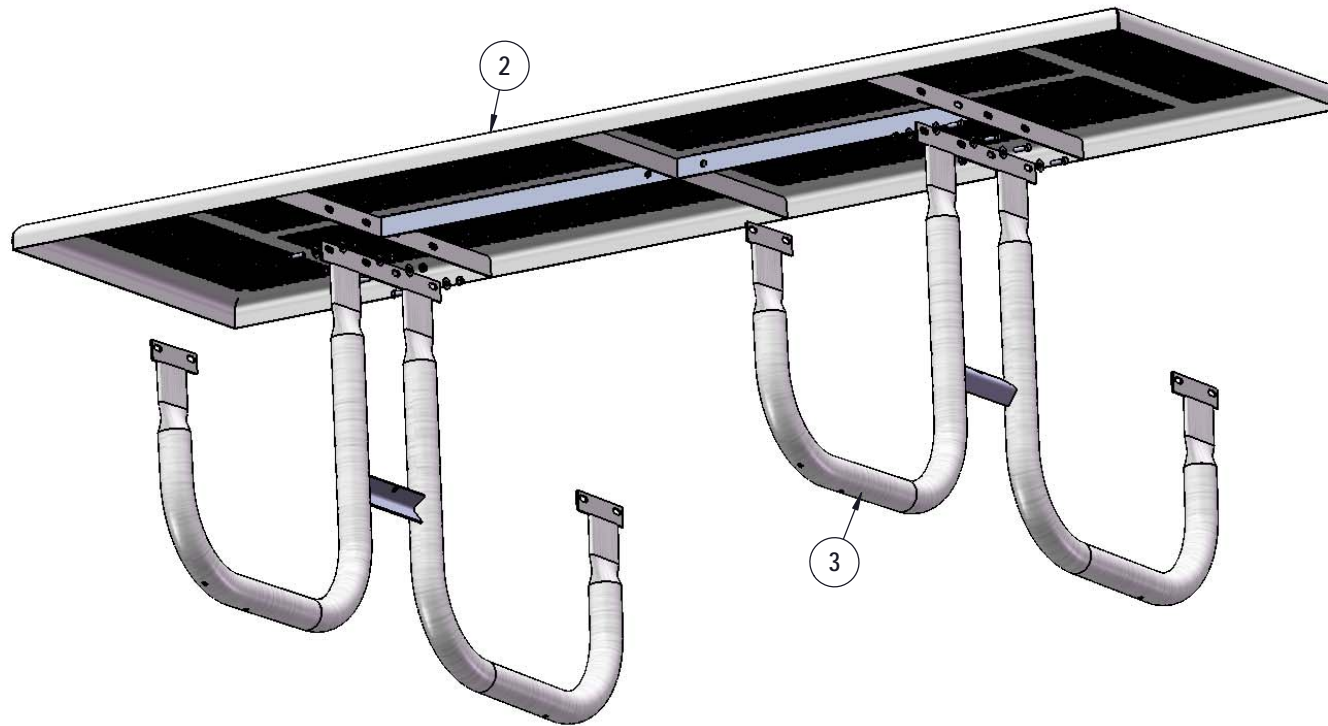
# COMPONENTS

Optional Surface Mount Hardware:  
5/16" x 5" Concrete Expansion Anchor Bolts  
(Not Included)



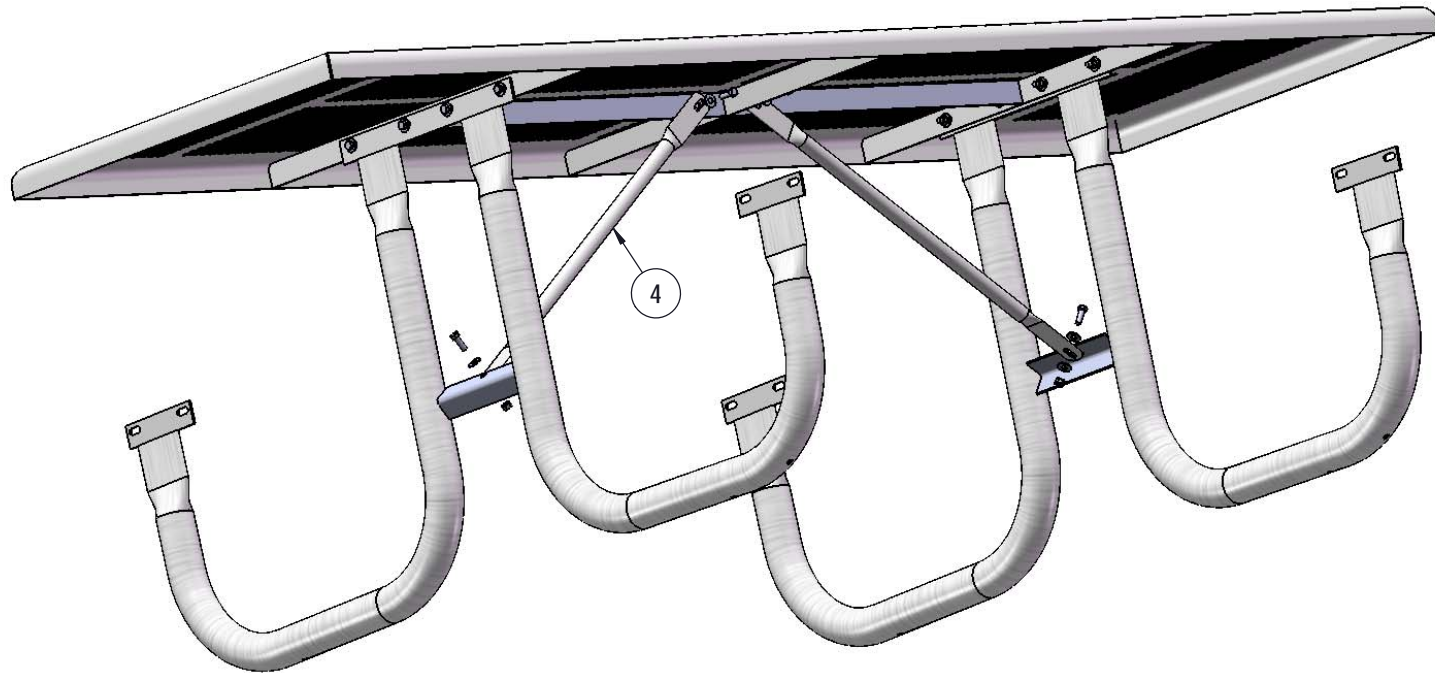
ITEM NO.	PartNo	DESCRIPTION	QTY
1	T-PR72-S	6' Punched Rolled Seat	2
2	T-PR96H-T	8' Handicap Punched Rolled Top	1
3	P-V238	238 Vinyl Frame	2
4	P-01-04-0125	29 7/8" Brace	2
5	33-02-0007	5/16" SS Washer	40
6	33-05-0029	5/16" x 1" Machine Bolt (SS)	20
7	33-03-0012	5/16" Kep Nut (SS)	20

## STEP 1



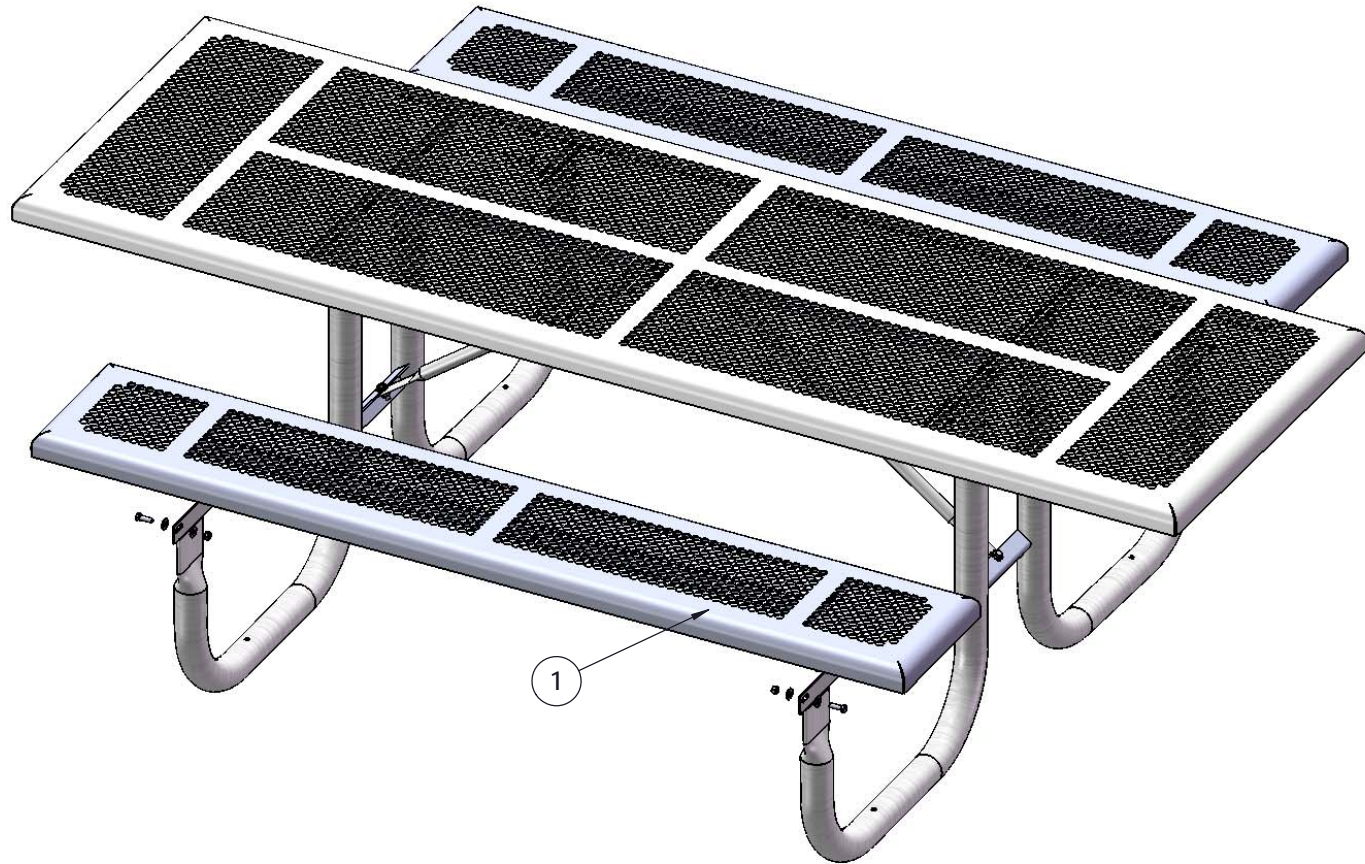
Attach the 8' Handicap Punched Rolled Top to the Frames using specified hardware.

## STEP 2



Attach the 29-7/8" Braces to the 8' Handicap Punched Rolled Top and the Frames as shown using specified hardware.

## STEP 3



Attach the 6' Punched Rolled Seats to the Frames using specified hardware.

# OVERALL DIMENSIONS

