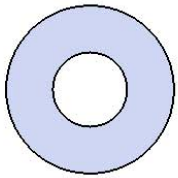


Model # T8RCWB

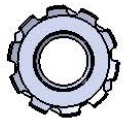
# HARDWARE



5/16" x 1"  
Machine Bolt



5/16" Washer



5/16" Washer

# PRODUCT SPECIFICATIONS

## **T8RCWB PORTABLE PICNIC TABLE WITH SEAT BACKS WALK THROUGH DESIGN**

Seat & Back: 2" x 2" x 1/8" formed angle frame with 1-1/2" radius corners. 3/4" #9 steel expanded metal. 7 gauge x 1-1/2" flat bar center support and mounting bracket understructure. Electrically MIG welded.

Coating: Oven fused functionalized polyethylene copolymer-based thermoplastic. Fluidized bed coating application with superior mechanical performance, impact resistance and UV-stability.

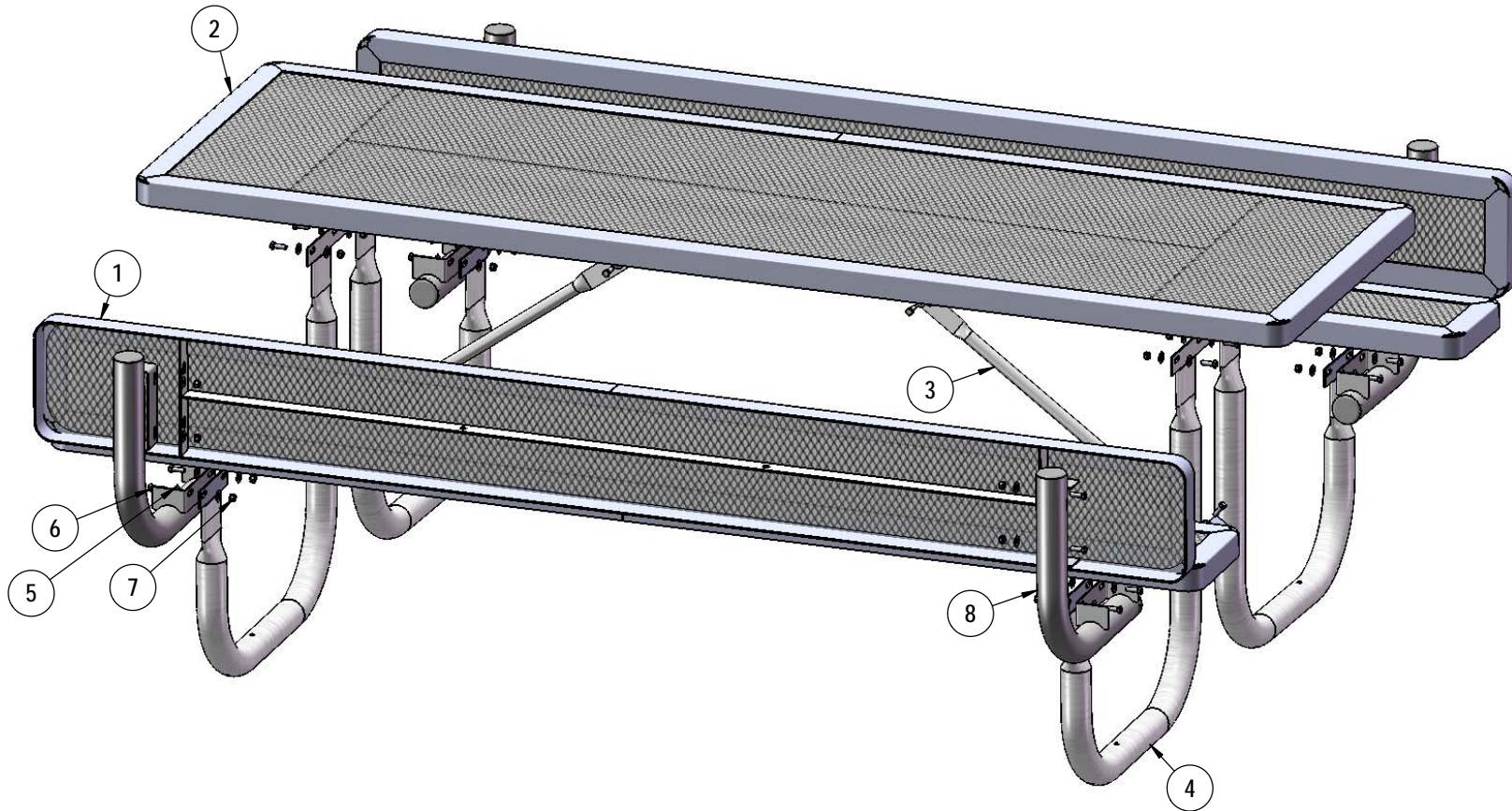
Frame: 2-3/8" O.D. x 12 gauge pre-galvanized structural steel tubing. Cross braces 1" O.D. x 16 gauge pre-galvanized structural steel tubing. Brace attachment points 1-1/2"x1-1/2"x3/16" steel angle. Seat and top mounting points 7 gauge x 1-1/2" die stamped steel flat bar. Legs are bent over a mandrel through the bend radius producing a wrinkle free bend. Holes are predrilled in legs for optional surface mounting. All electrically MIG welded.

Frame Coating: Electrostatic powder coated application oven cured.

Hardware: All stainless steel hardware fasteners.

Dimensions: 8' portable picnic table walk-through design. Top is 30" wide x 96" long x 30-13/16" high. Seats are 10" wide x 96" long x 18-13/16" high. Outside to outside dimensions are 84-3/16" x 96" x 32-3/8".

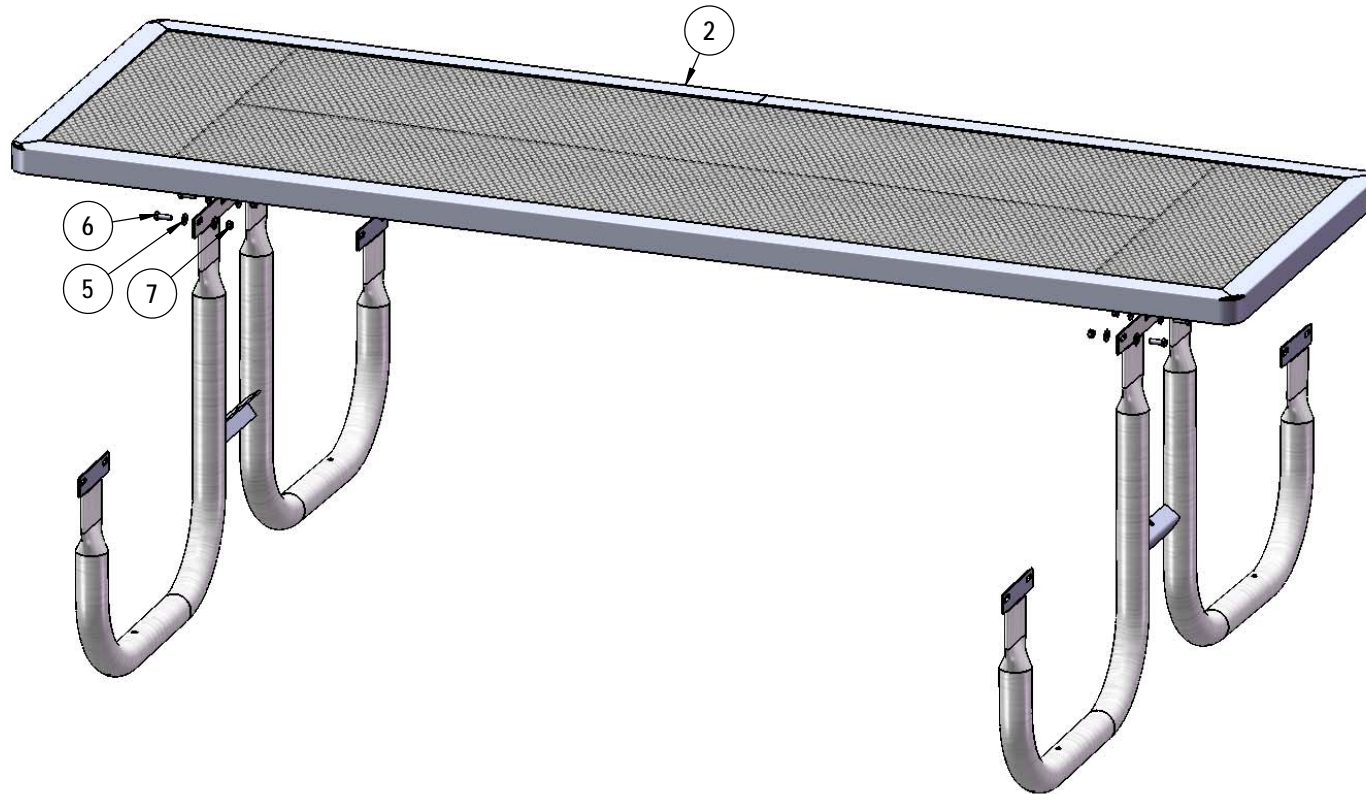
# COMPONENTS



ITEM NO.	PartNo	DESCRIPTION	QTY
1	RC96-S	8' long x 10" wide regal expanded seat	4
2	RC96-T	8' regal expanded top	1
3	P-01-04-0125	29 7/8" Brace	2
4	P-V238	238 Vinyl Frame	2
5	33-02-0007	5/16" SS Washer	56
6	33-05-0029	5/16" x 1" Machine Bolt (SS)	28
7	33-03-0012	5/16" Kep Nut (SS)	28
8	01-04-0671	238 table with back seat arm	4

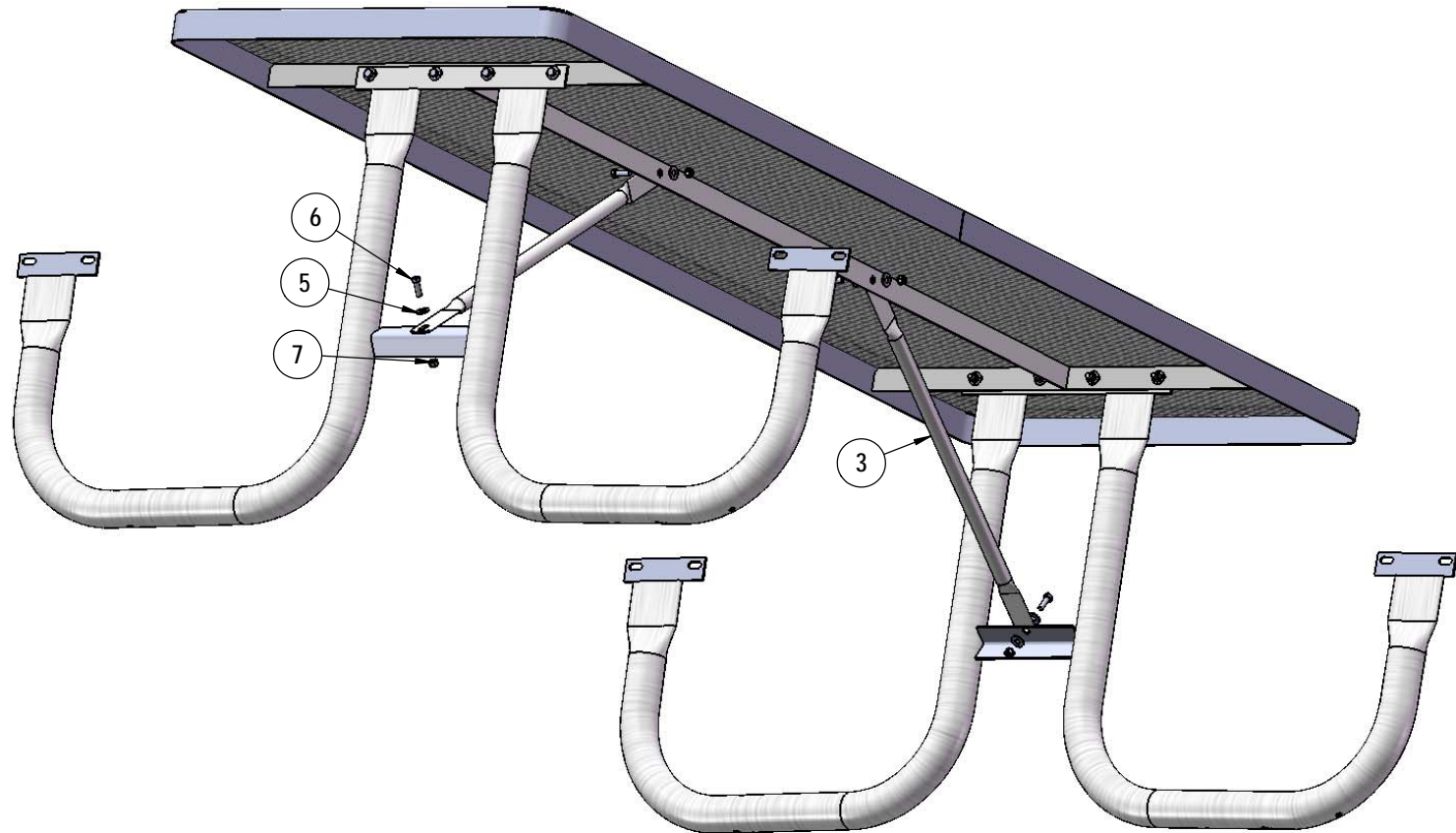
**Superior**<sup>®</sup>  
 RECREATIONAL PRODUCTS  
A PLAYCORE Company

# STEP 1



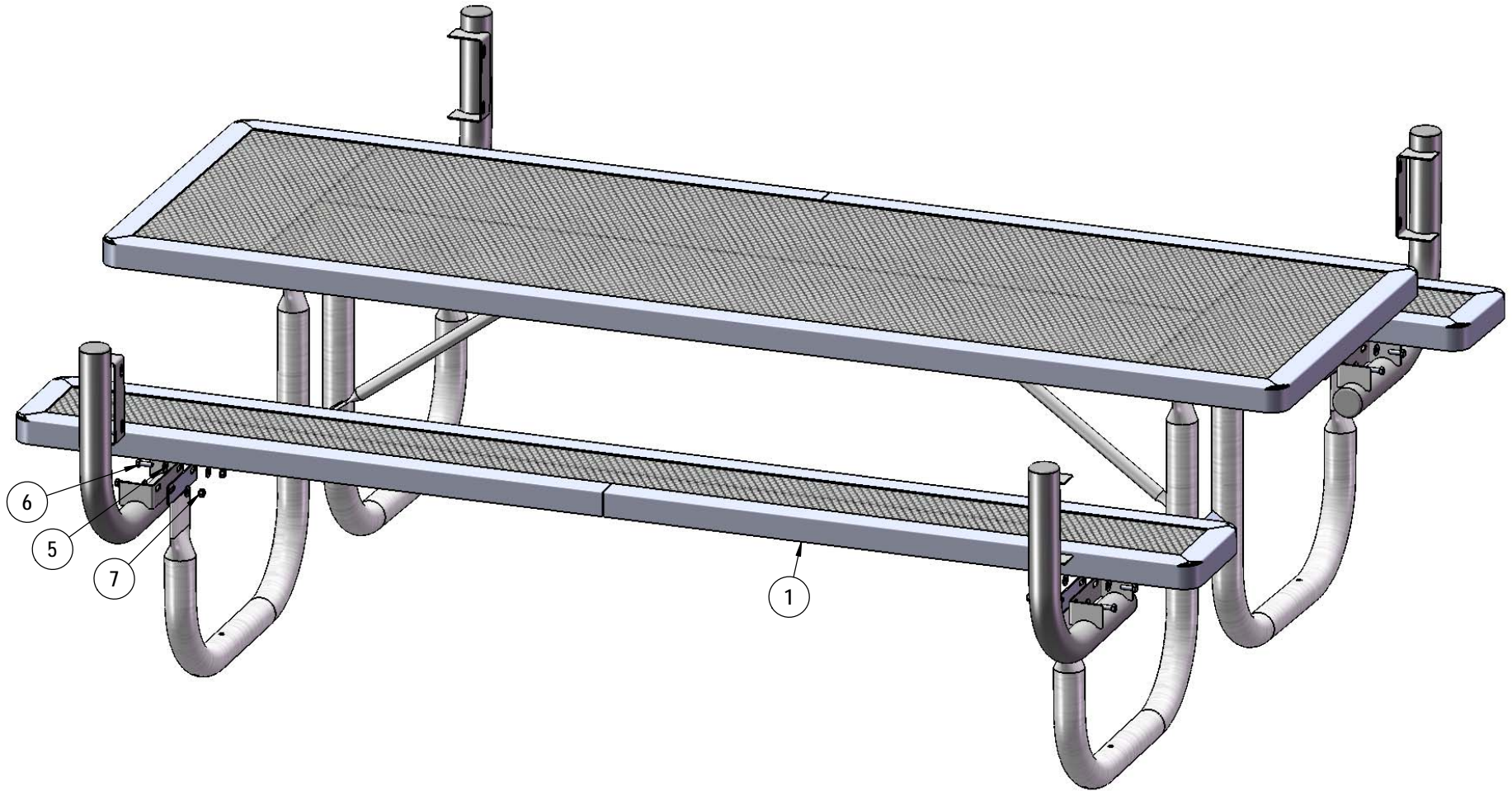
Attach the top to the top legs as shown using specified hardware.

## STEP 2



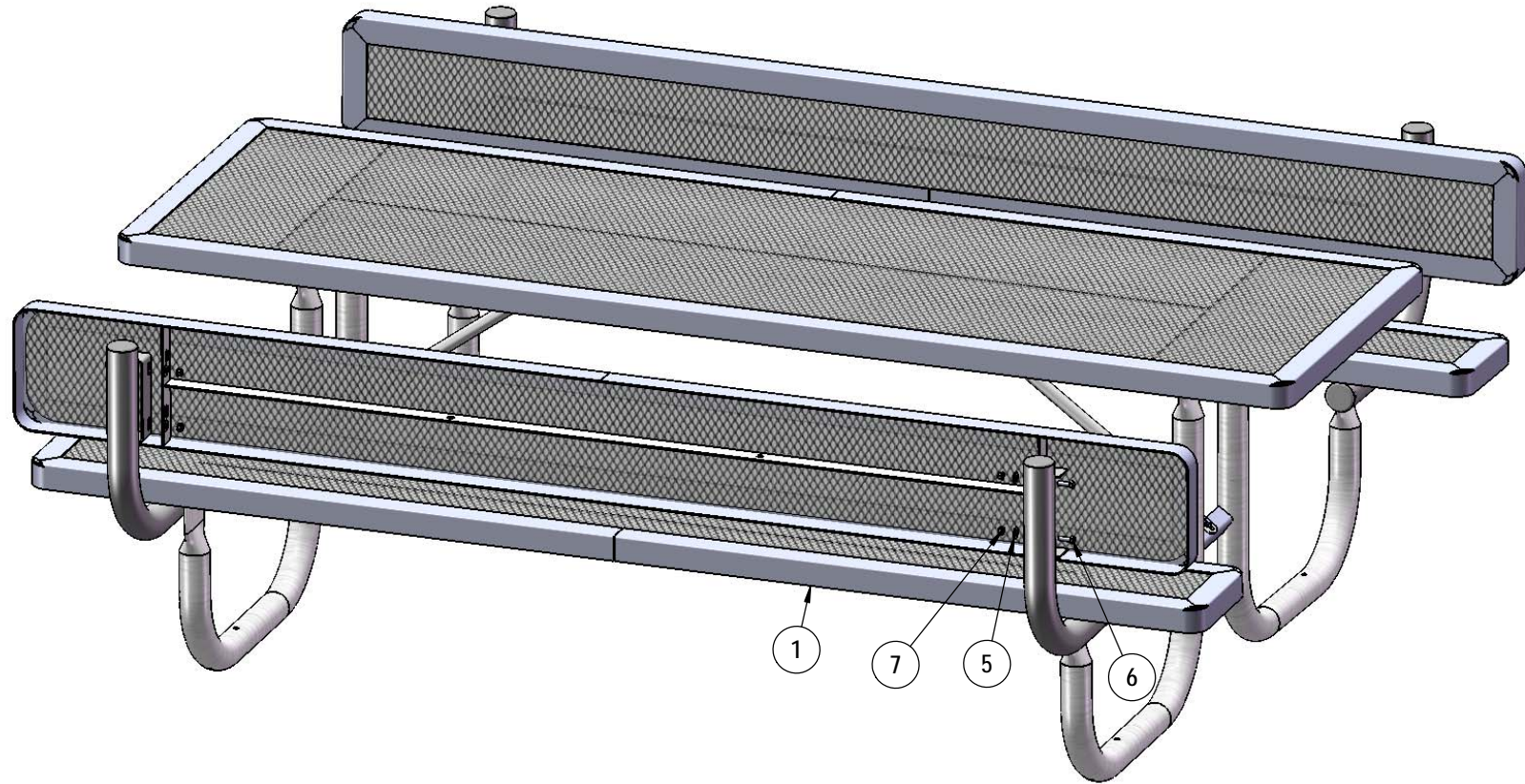
Attach the braces to the frame and under side of the top as shown using specified hardware.

## STEP 3



Attach the seats and seat arms to the frame as shown using specified hardware.

## STEP 4



Attach the seat backs to seat arms as shown using specified hardware.



# OVERALL DIMENSIONS

