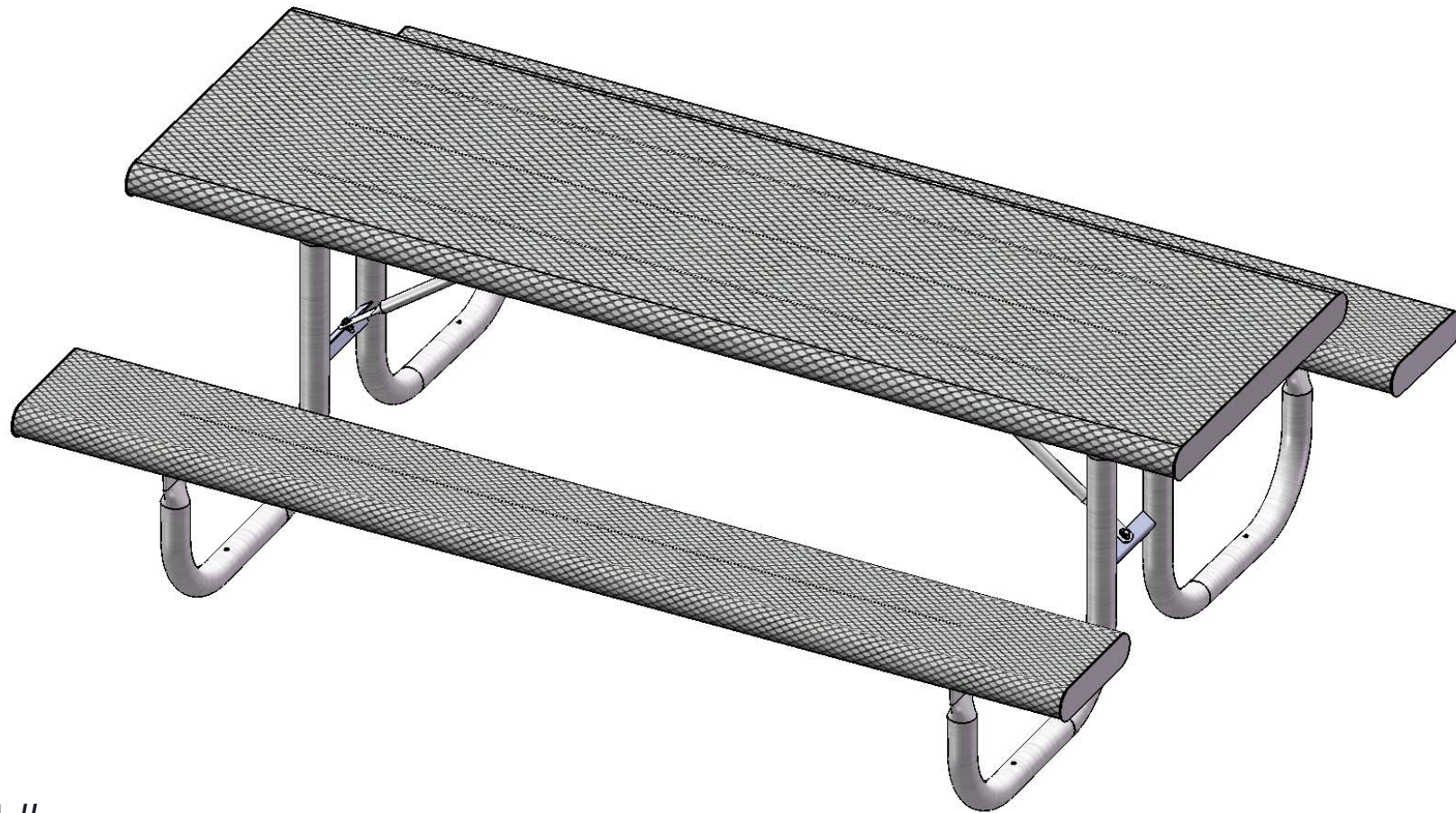


Site Amenities

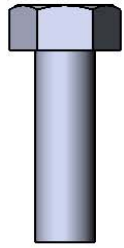
BY SUPERIOR RECREATIONAL PRODUCTS



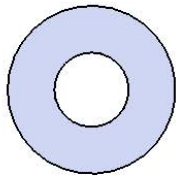
Model #
T8ROLL

S SUPERIOR[®]
RECREATIONAL PRODUCTS
A PLAYCORE Company

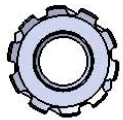
HARDWARE



5/16" x 1"
Machine Bolt



5/16" Washer



5/16" Kep Nut

PRODUCT SPECIFICATIONS

T8ROLL 8' PORTABLE PICNIC TABLE WALK-THROUGH DESIGN

Top & Seats: End plates are fabricated out of 7 gauge x 3" with a 3" diameter corners. 3/4" #9 steel expanded metal. 7 gauge x 1-1/2" flat bar center support and mounting bracket understructure. 5/8" rod to finish off expanded edge. Electrically MIG welded.

Coating: Oven fused functionalized polyethylene copolymer-based thermoplastic. Fluidized bed coating application with superior mechanical performance, impact resistance and UV-stability.

Frame: 2-3/8" O.D. x 12 gauge pre-galvanized structural steel tubing. Cross braces 1" O.D. x 16 gauge pre-galvanized structural steel tubing. Brace attachment points 1-1/2"x1-1/2"x3/16" steel angle. Seat and top mounting points 7 gauge x 1-1/2" die stamped steel flat bar. Legs are bent over a mandrel through the bend radius producing a wrinkle free bend. All electrically MIG welded.

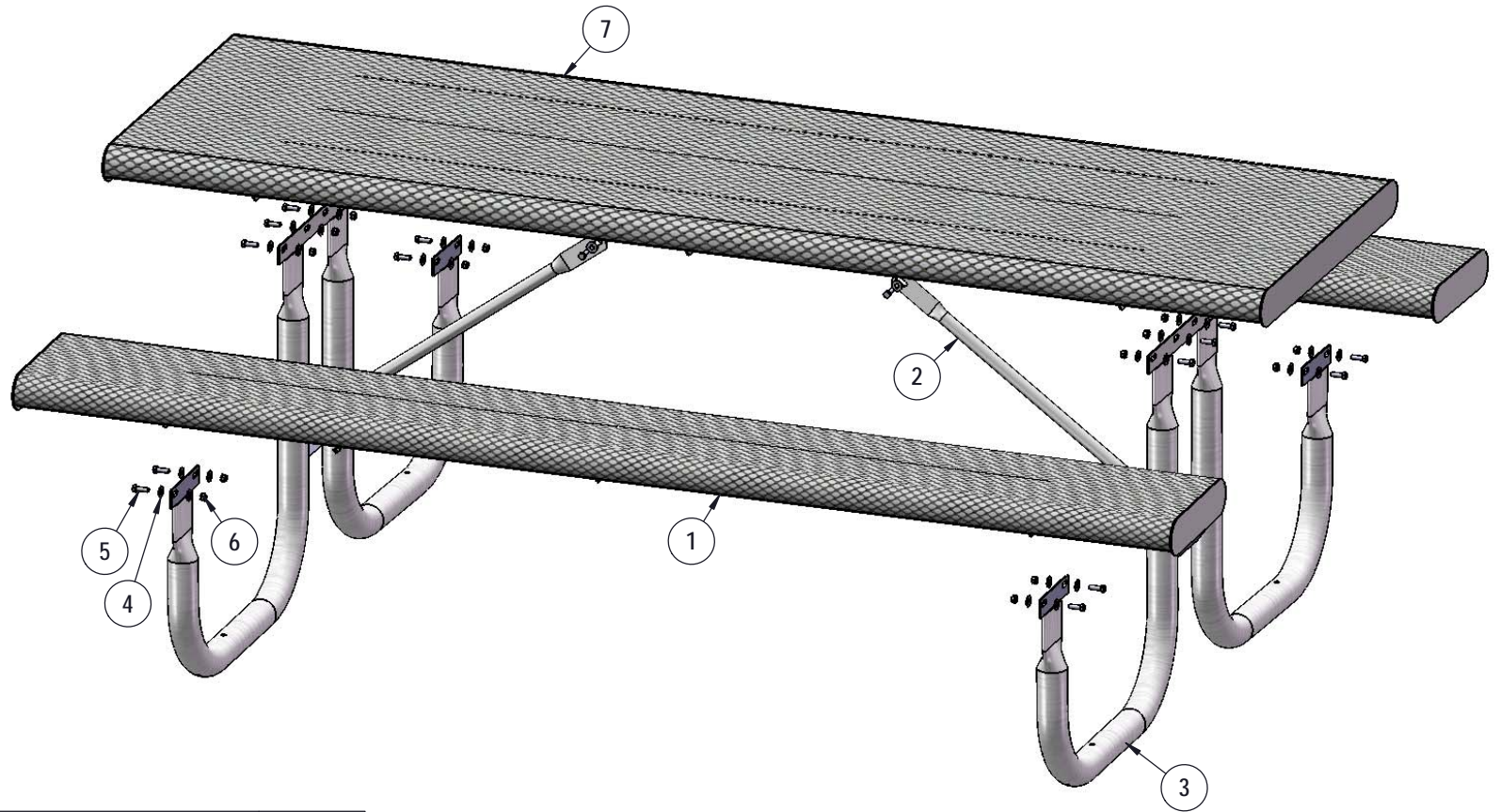
Frame Coating: Electrostatic powder coated application oven cured.

Hardware: All stainless steel hardware fasteners.

Dimensions: 8' portable picnic table walk-through design. Top is 30" wide x 96" long and is 31-1/2" high. Seats are 12" wide x 96" long and 19-3/4" high. Outside to outside dimension is 68-1/2" x 96".

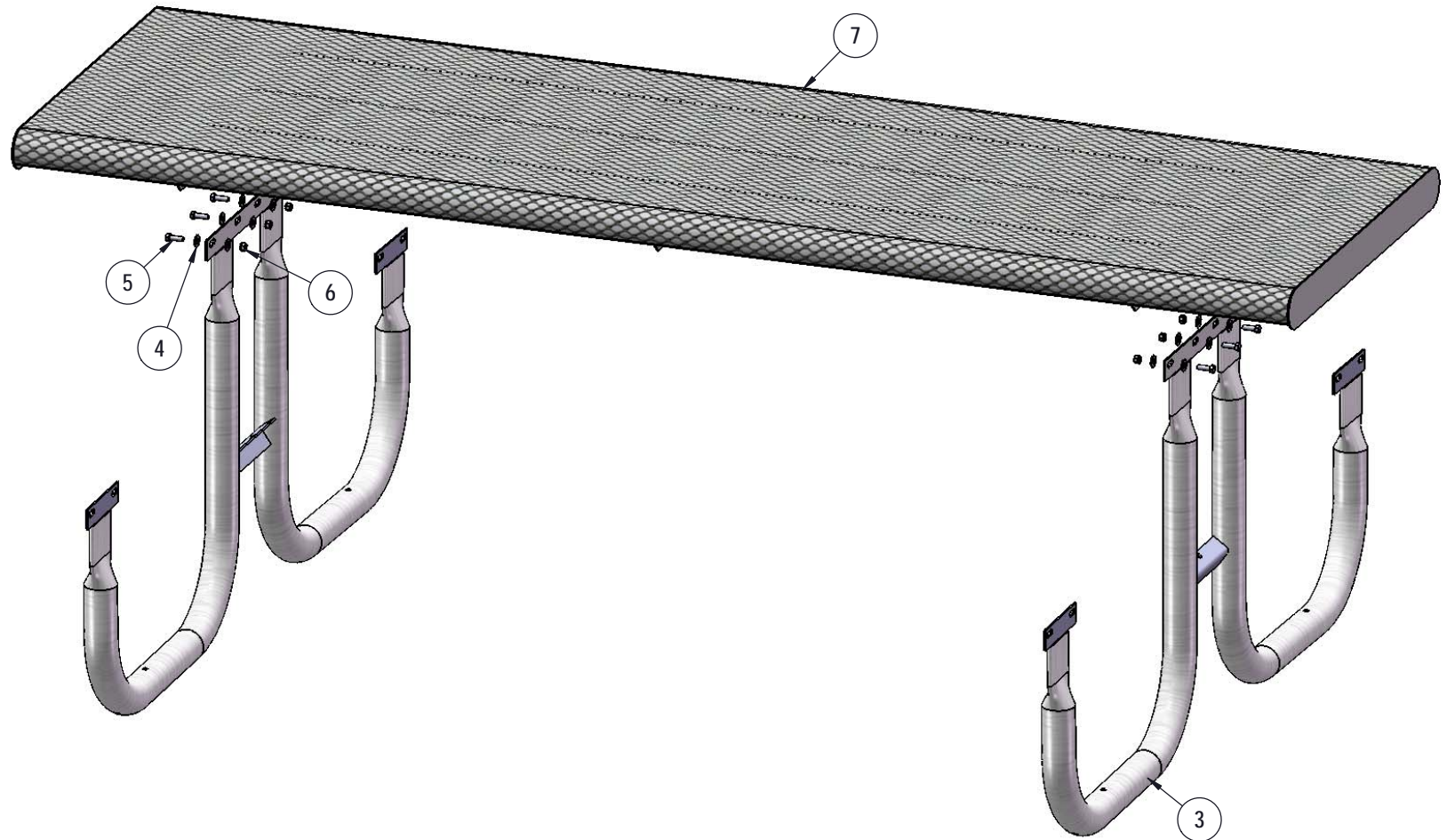
COMPONENTS

Optional Surface Mount Hardware:
5/16" x 5" Concrete Expansion Anchor Bolts
(Not Included)



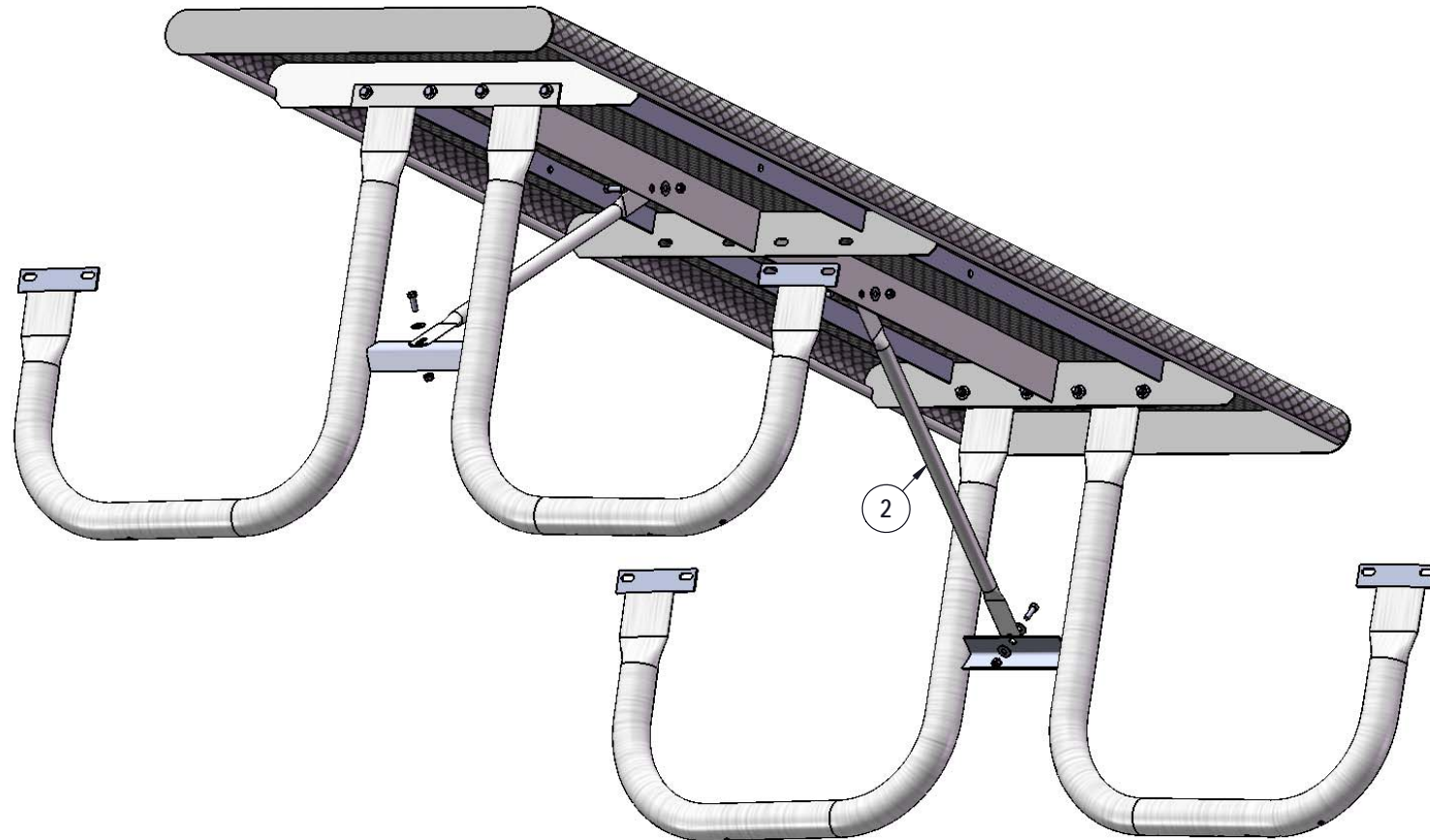
ITEM NO.	PartNo	DESCRIPTION	QTY
1	T-VR96-S	8' Vinyl Rolled Seat	2
2	P-01-04-0125	29 7/8" Brace	2
3	P-V238	238 Vinyl Frame	2
4	33-02-0007	5/16" SS Washer	40
5	33-05-0029	5/16" x 1" Machine Bolt (SS)	20
6	33-03-0012	5/16" Kep Nut (SS)	20
7	VR96-T	8' Vinyl Rolled Top	1

STEP 1



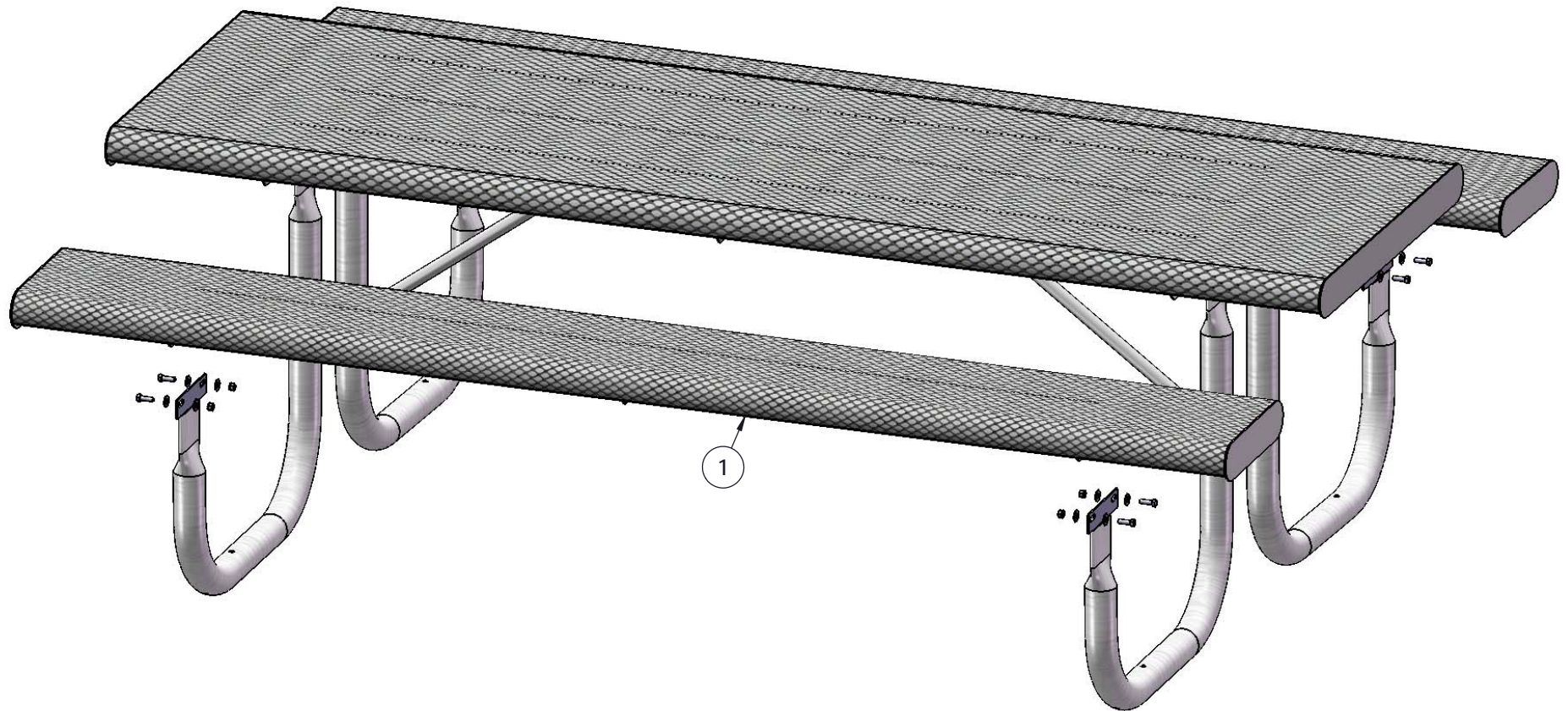
Attach the 8' Vinyl Rolled Top to the Frames using specified hardware.

STEP 2



Attach the 29-7/8" Braces to the 8' Vinyl Rolled Top and the Frames as shown using specified hardware.

STEP 3



Attach the 8' Vinyl Rolled Seats to the Frames using specified hardware.

OVERALL DIMENSIONS

