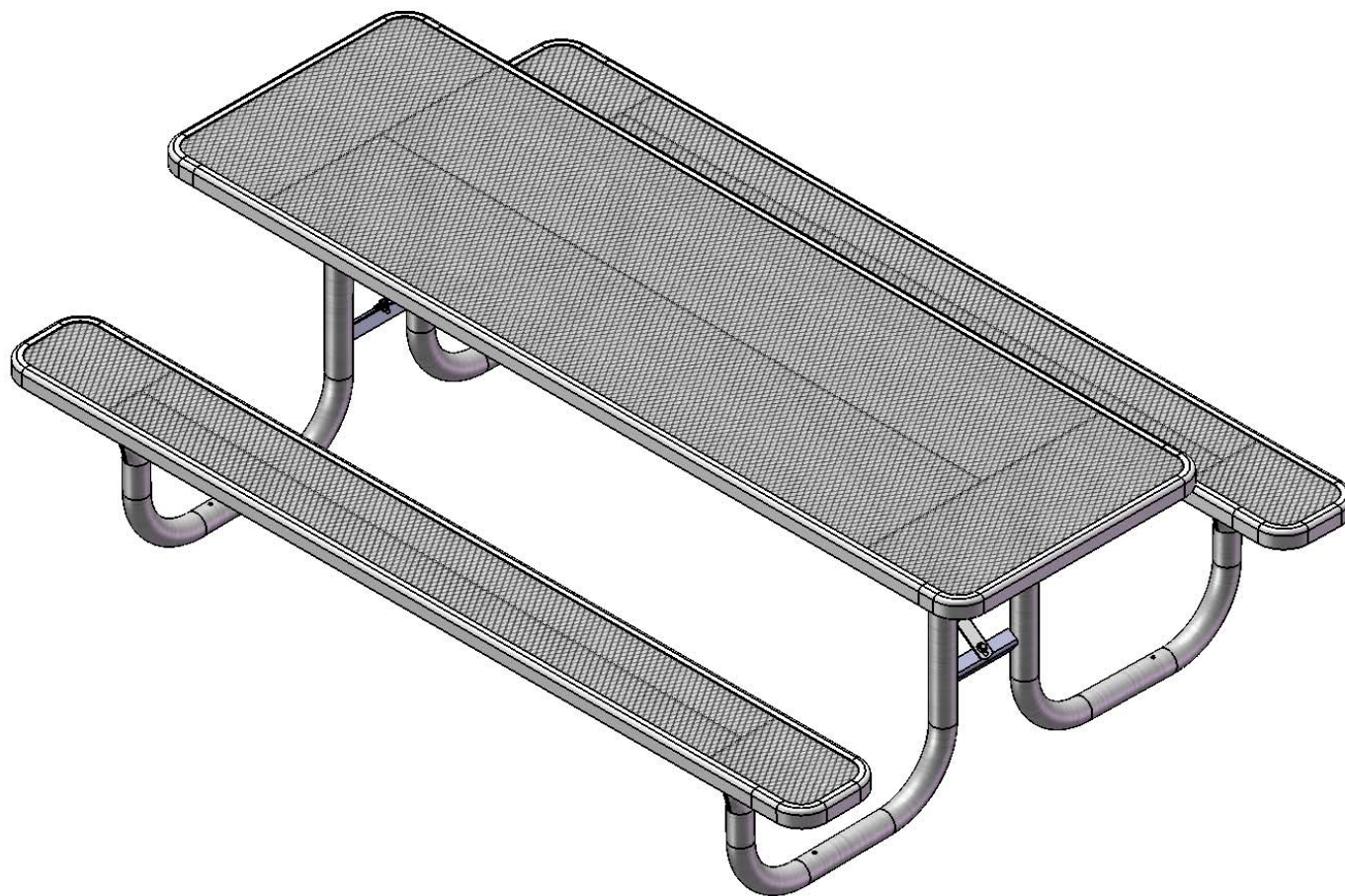


# Site Amenities

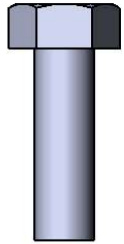
BY SUPERIOR RECREATIONAL PRODUCTS



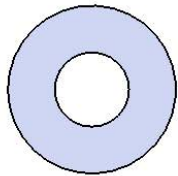
Model #  
T8UL

 **SUPERIOR**<sup>®</sup>  
RECREATIONAL PRODUCTS  
A **PLAYCORE** Company

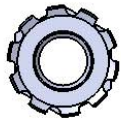
# HARDWARE



5/16" x 1"  
Machine Bolt



5/16" Washer



5/16" Kep Nut

# PRODUCT SPECIFICATIONS

## T8UL 8' ACCESSIBLE PICNIC TABLE WALK-THROUGH DESIGN

Top & Seats: 12 gauge die formed angle frame 1"x1-7/8" with 3" radius corners. 3/4" #9 steel expanded metal. 10 gauge x 1-1/2" flat bar center support and mounting bracket understructure. Electrically MIG welded.

Coating: Oven fused functionalized polyethylene copolymer-based thermoplastic. Fluidized bed coating application with superior mechanical performance, impact resistance and UV-stability.

Frame: 2-3/8" O.D. x 12 gauge pre-galvanized structural steel tubing. Cross braces 1" O.D. x 16 gauge pre-galvanized structural steel tubing. Brace attachment points 1-1/2"x1-1/2"x3/16" steel angle. Seat and top mounting points 7 gauge x 1-1/2" die stamped steel flat bar. Legs are bent over a mandrel through the bend radius producing a wrinkle free bend. Holes are predrilled in legs for optional surface mounting. All electrically MIG welded.

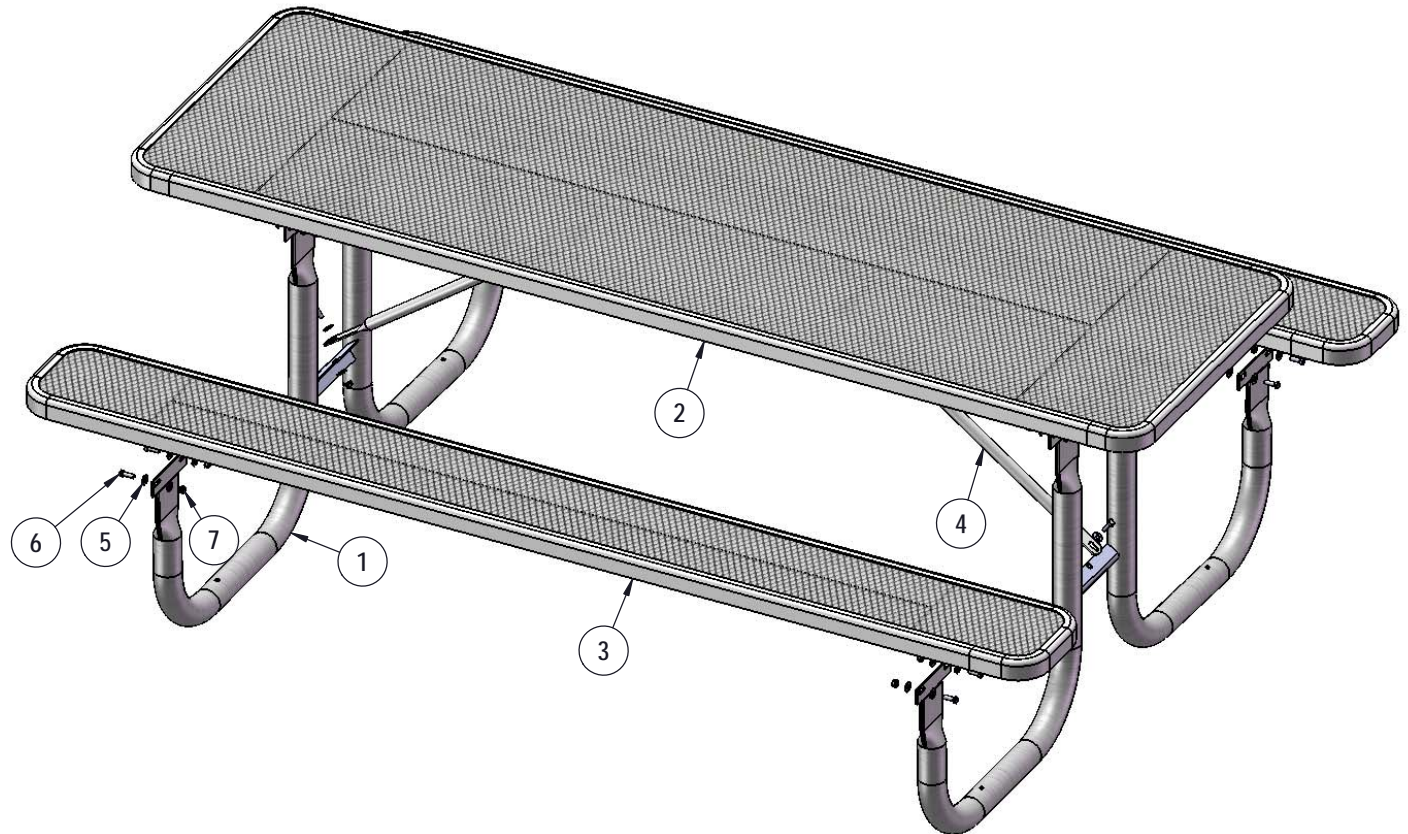
Frame Coating: Electrostatic powder coated application oven cured.

Hardware: All stainless steel hardware fasteners.

Dimensions: 8' portable picnic table walk-through design. Top is 30" wide x 96" long and is 30-1/4" high. Seats are 10" wide x 96" long and 18-1/2" high. Outside to outside dimension is 66-1/2" x 96".

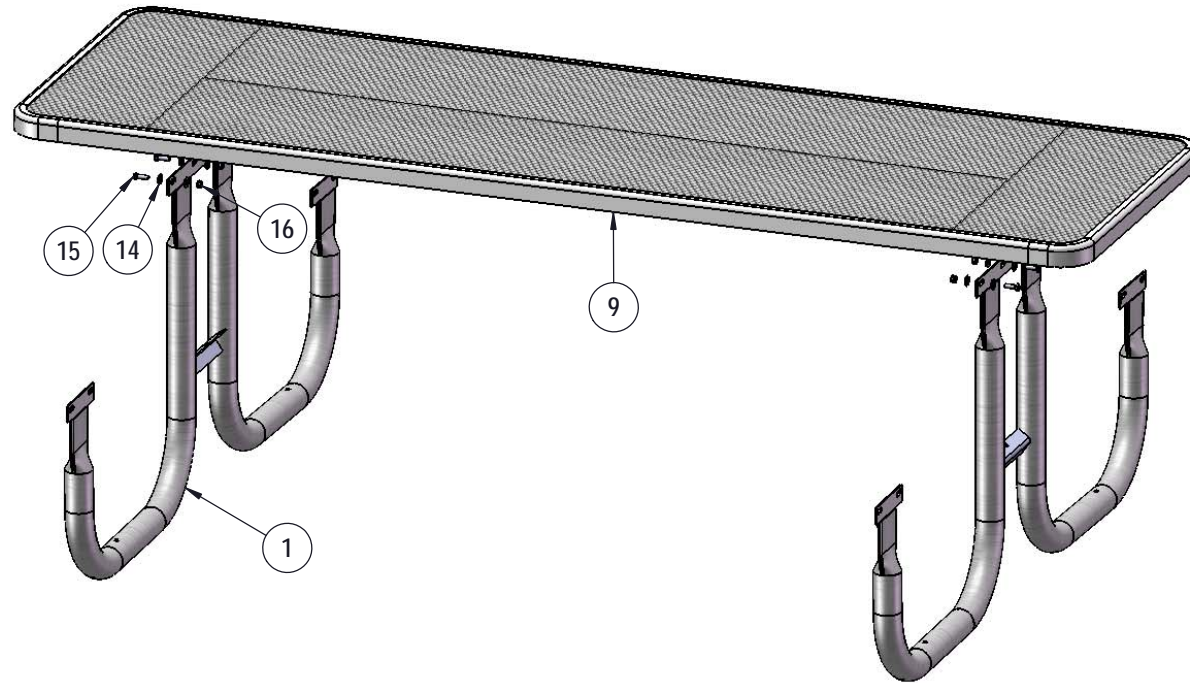
# COMPONENTS

Optional Surface Mount Hardware:  
 5/16" x 5-1/2" Concrete Expansion Anchor Bolts  
 (Not Included)



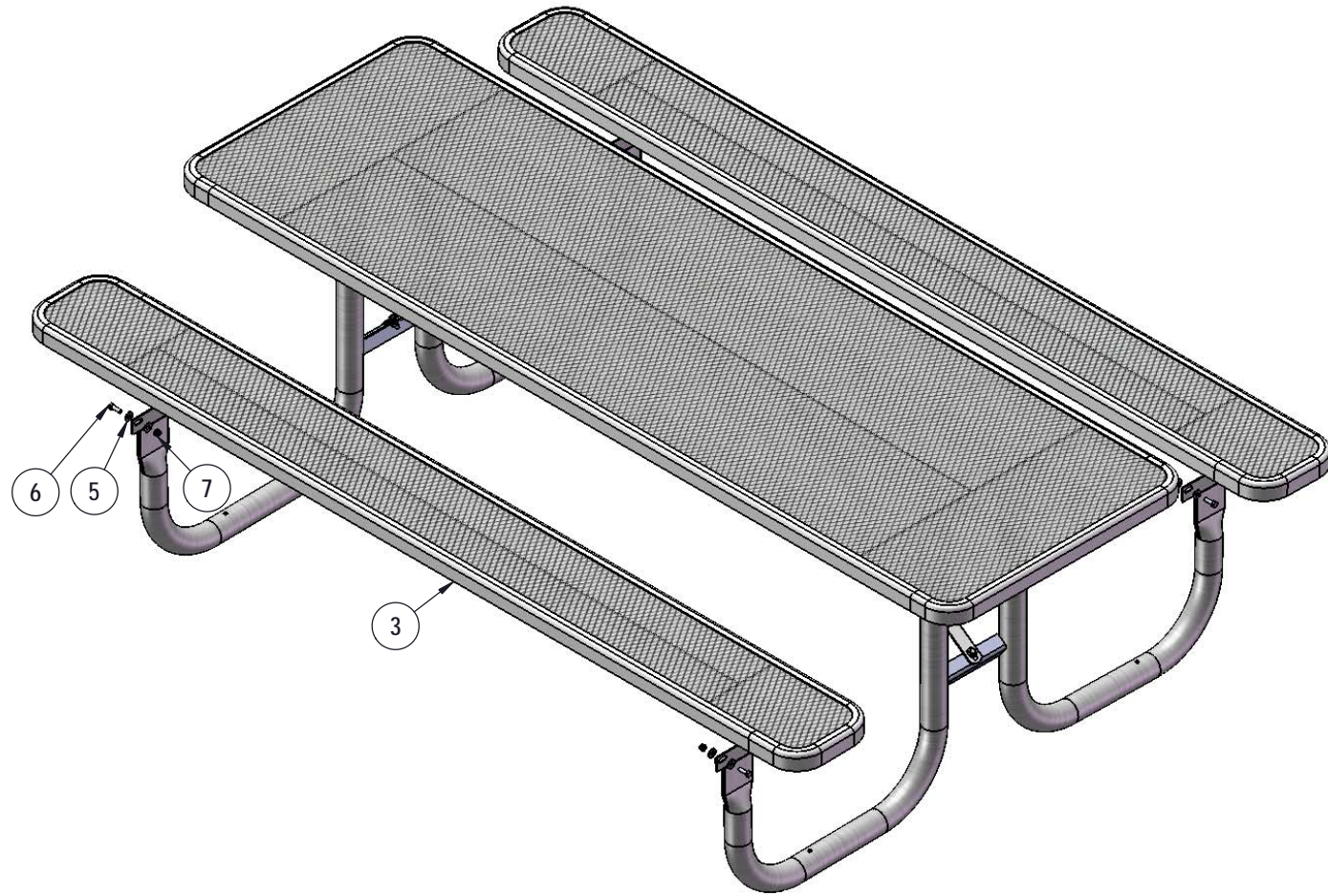
ITEM NO.	PartNo	DESCRIPTION	QTY
1	P-V238	238 Vinyl Frame	2
2	T-EV96-T	8' expanded top	1
3	T-EV96-S	8' x 10" expanded seat	2
4	P-01-04-0125	29 7/8" Brace	2
5	33-02-0007	5/16" SS Washer	40
6	33-05-0029	5/16" x 1" Machine Bolt (SS)	20
7	33-03-0012	5/16" Kep Nut (SS)	20

# STEP 1



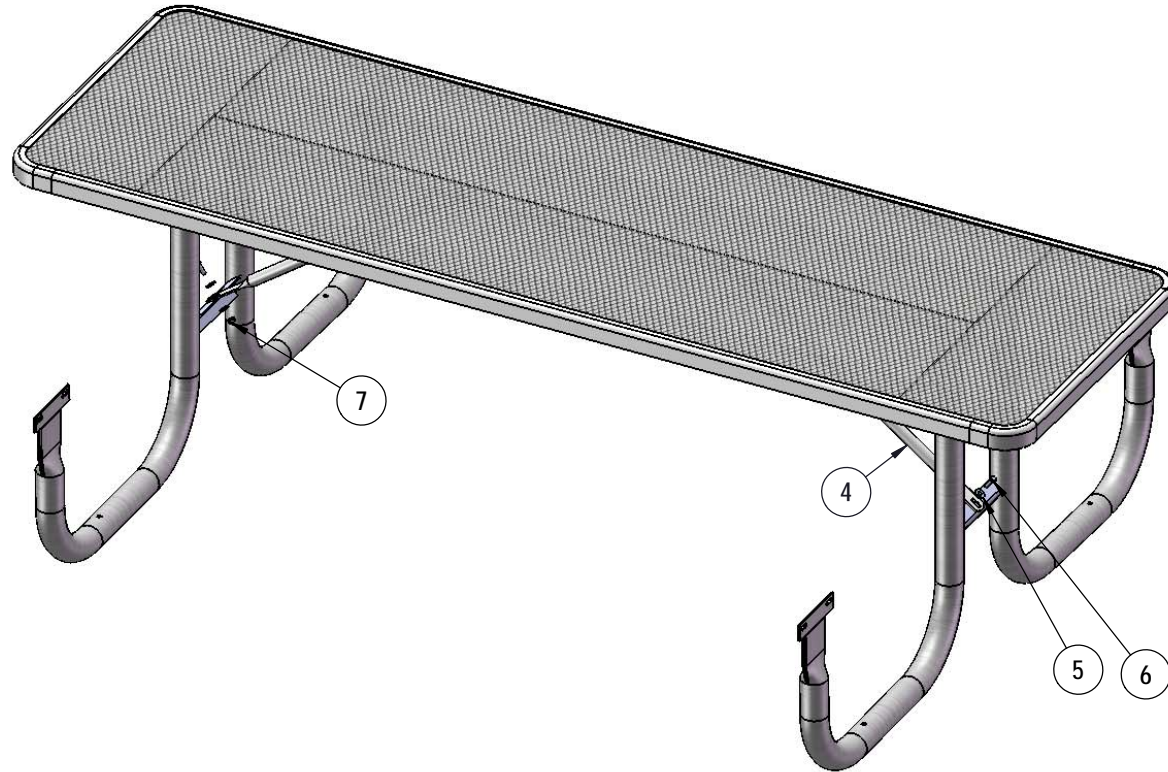
Attach the table plank to the legs using specified hardware.

## STEP 2



Attach the seat planks to the legs using specified hardware.

## STEP 3



Attach the 29 7/8" braces to the frames using specified hardware.

# OVERALL DIMENSIONS

