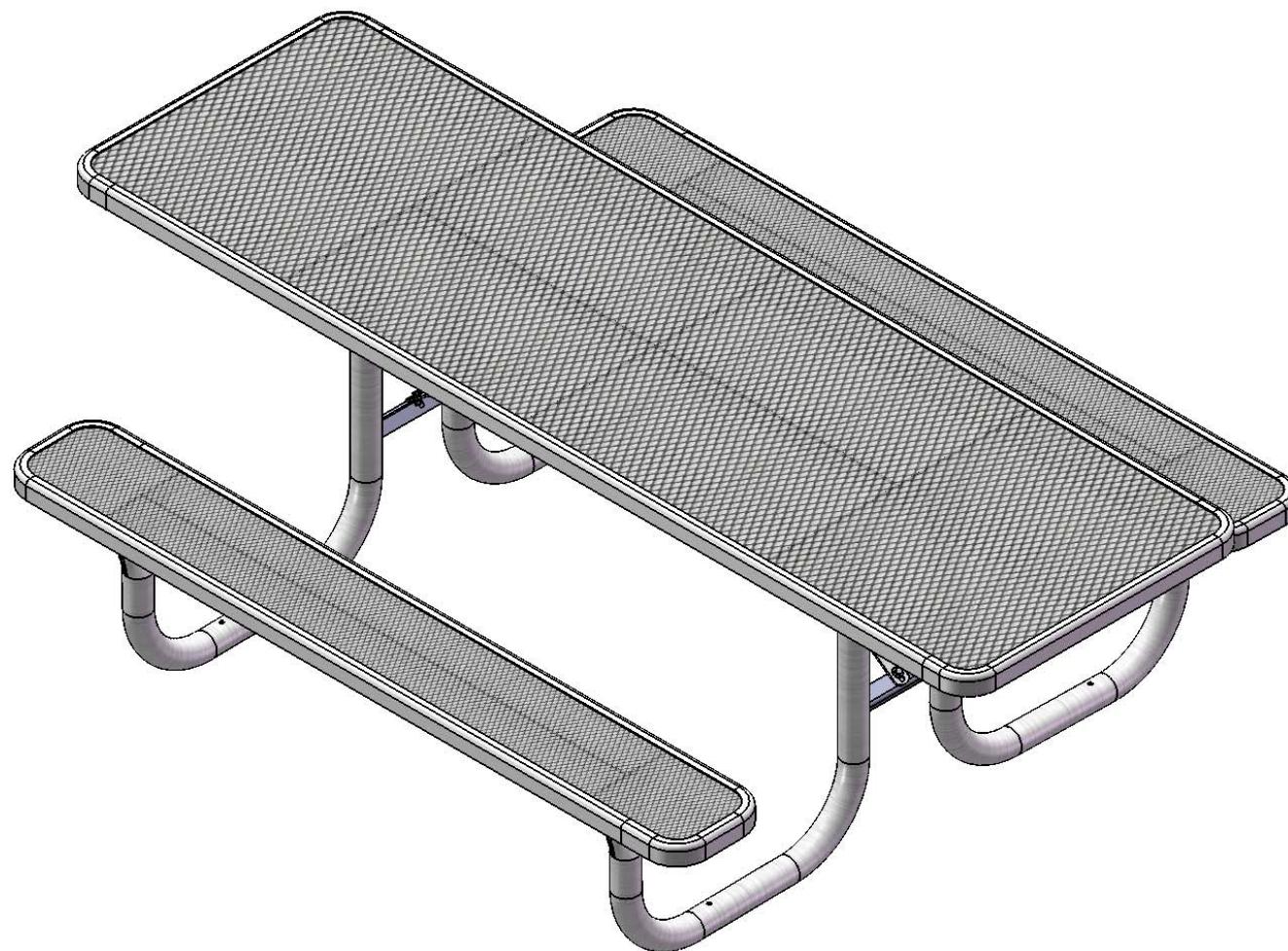


# Site Amenities

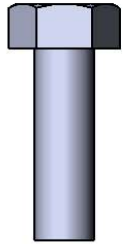
BY SUPERIOR RECREATIONAL PRODUCTS



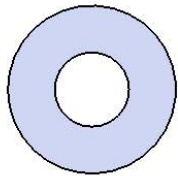
Model #  
T8ULHDCP  
T8ULHDCPALT

 **SUPERIOR**<sup>®</sup>  
RECREATIONAL PRODUCTS  
A **PLAYCORE** Company

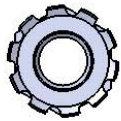
# HARDWARE



5/16" x 1"  
Machine Bolt



5/16" Washer



5/16" Keping Nut

## PRODUCT SPECIFICATIONS

### **T8ULHDCP T8ULHDCPALT 8' ACCESSIBLE PICNIC TABLE WALK-THROUGH DESIGN**

Top & Seats: 11 gauge die formed angle frame 1"x1-7/8" with 3" radius corners. 3/4" #9 steel expanded metal. 10 gauge x 1-1/2" flat bar center support and mounting bracket understructure. Electrically MIG welded.

Coating: Oven fused functionalized polyethylene copolymer-based thermoplastic. Fluidized bed coating application with superior mechanical performance, impact resistance and UV-stability.

Frame: 2-3/8" O.D. x 12 gauge pre-galvanized structural steel tubing. Cross braces 1" O.D. x 16 gauge pre-galvanized structural steel tubing. Brace attachment points 1-1/2"x1-1/2"x3/16" steel angle. Seat and top mounting points 7 gauge x 1-1/2" die stamped steel flat bar. Legs are bent over a mandrel through the bend radius producing a wrinkle free bend. All electrically MIG welded.

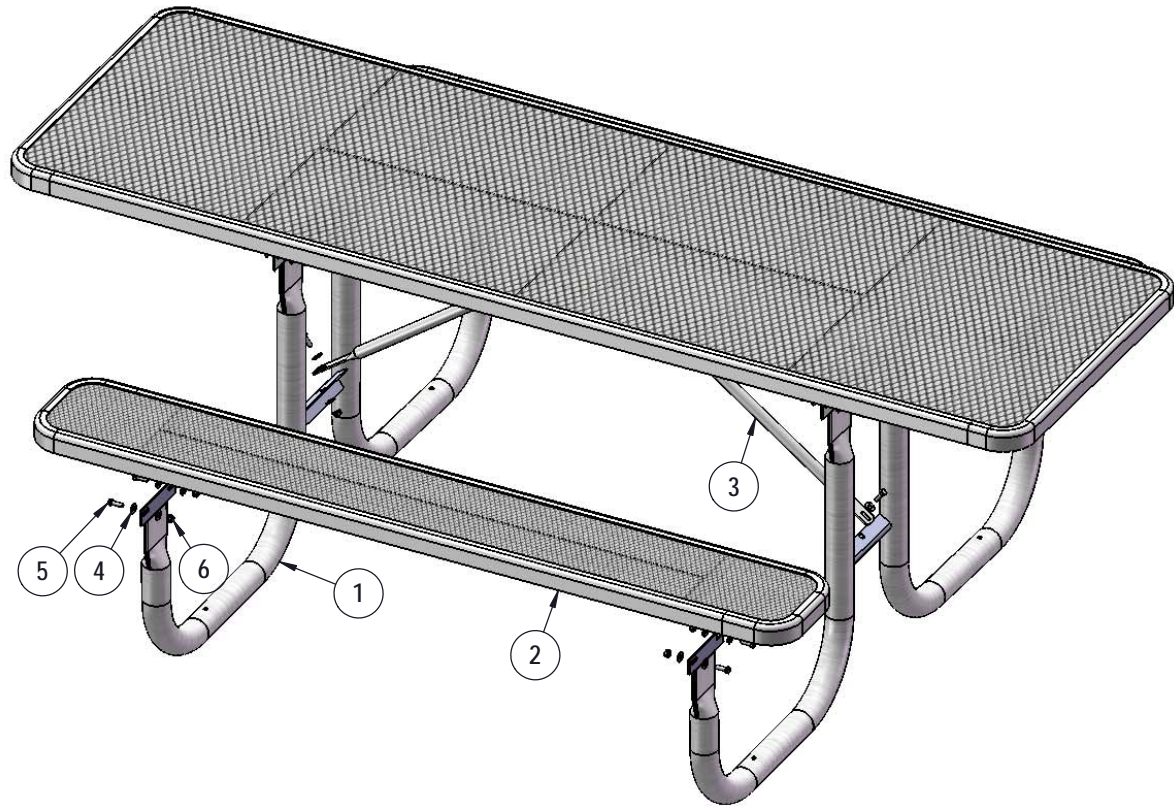
Frame Coating: Electrostatic powder coated application oven cured.

Hardware: All stainless steel hardware fasteners.

Dimensions: 8' accessible picnic table walk-through design. Top is 30" wide x 96" long and is 30-1/4" high. Seats are 10" wide x 72" long and 18-1/2" high. Outside to outside dimension is 66-1/2" x 96". The table over hangs the frame 21" on both ends.

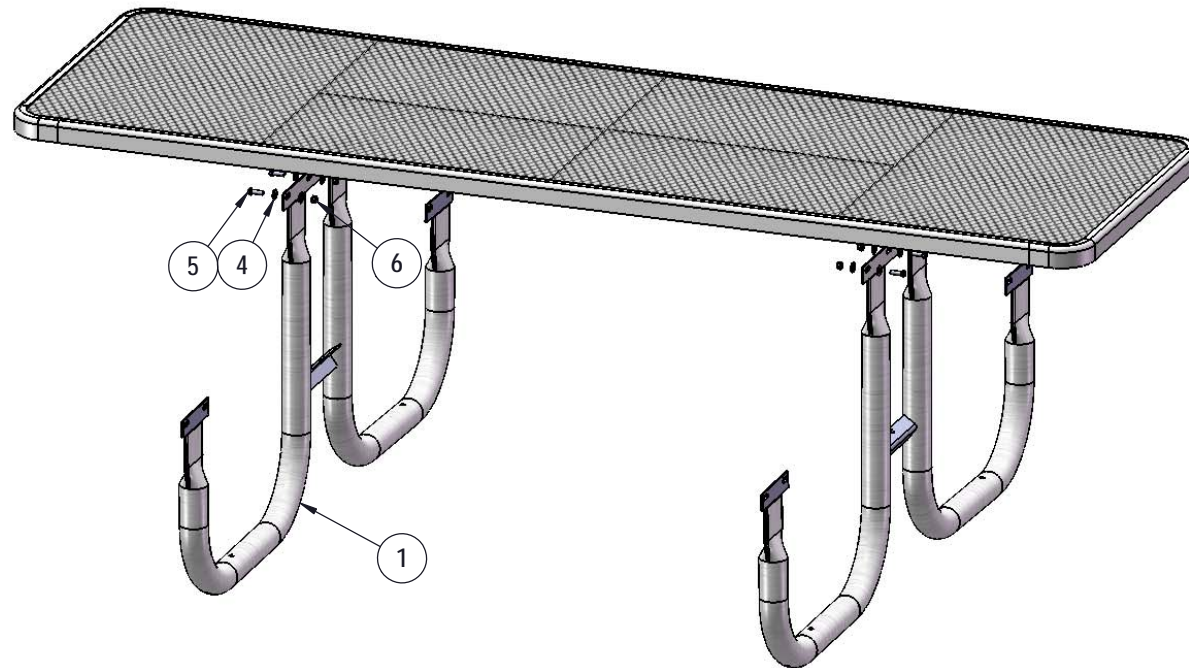
# COMPONENTS

Optional Surface Mount Hardware:  
5/16" x 5-1/2" Concrete Expansion Anchor Bolts  
(Not Included)



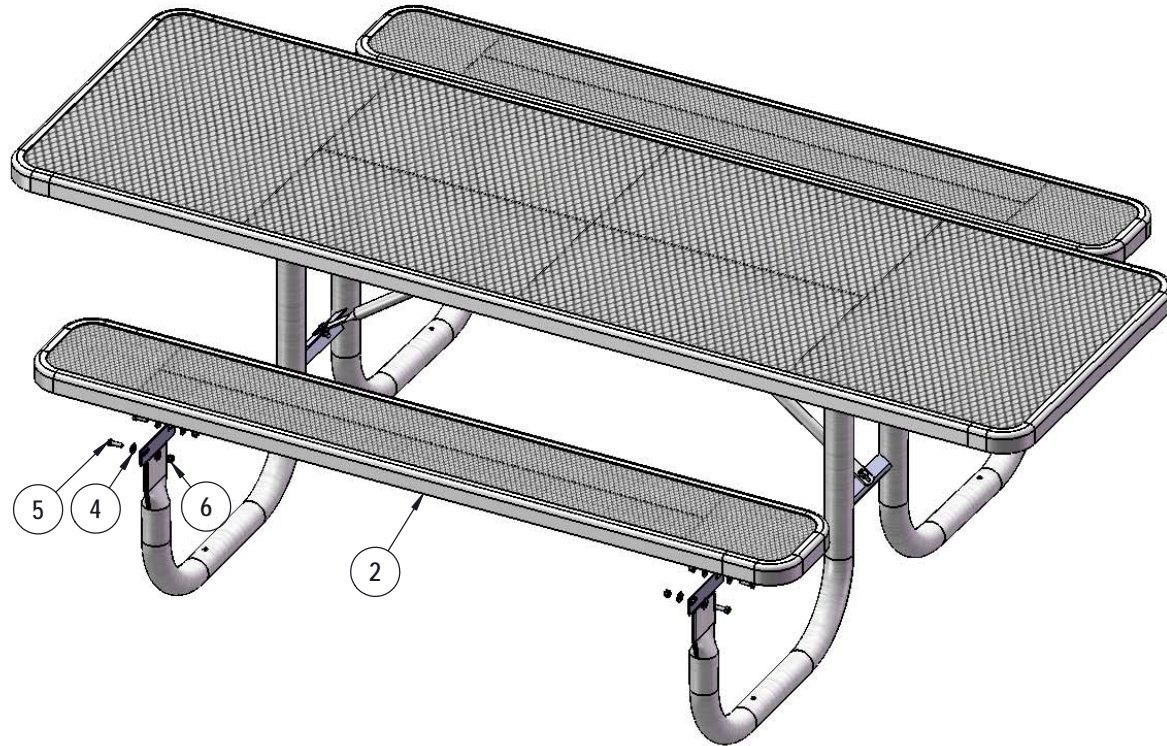
ITEM NO.	PartNo	DESCRIPTION	QTY
1	P-V238	238 Vinyl Frame	2
2	T-EV72-S	6' x 10" expanded seat	2
3	P-01-04-0125	29 7/8" Brace	2
4	33-02-0007	5/16" SS Washer	40
5	33-05-0029	5/16" x 1" Machine Bolt (SS)	20
6	33-03-0012	5/16" Kep Nut (SS)	20
7	T-V96H-T	8' H expanded Top	1

# STEP 1



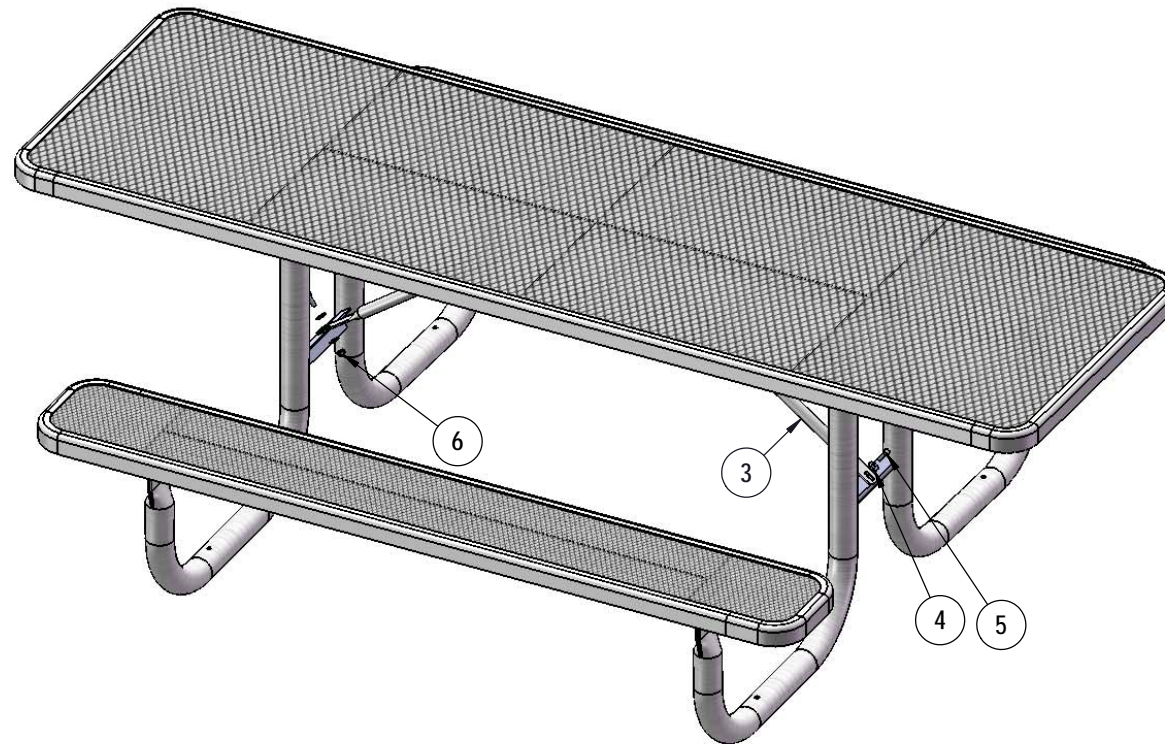
Attach the 8' Top to the Legs using specified hardware.

## STEP 2



Attach the 6' Seats to the legs using specified hardware.

## STEP 3



Attach the 29 7/8" braces to the Legs using specified hardware.

# OVERALL DIMENSIONS

