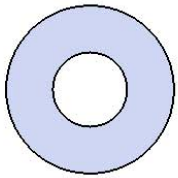


Model # T8WEBSM

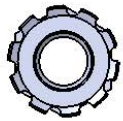
HARDWARE



5/16" x 1"
Machine Bolt



5/16" Washer



5/16" Kep Nut

PRODUCT SPECIFICATIONS

T8WEBSM SURFACE MOUNTED PICNIC TABLE

Seat & Back: 2" x 2" x 1/8" formed angle frame with 1-1/2" radius corners. 3/4" #9 steel expanded metal. 7 gauge x 1-1/2" flat bar center support and mounting bracket understructure. Electrically MIG welded.

Coating: Oven fused functionalized polyethylene copolymer-based thermoplastic. Fluidized bed coating application with superior mechanical performance, impact resistance and UV-stability.

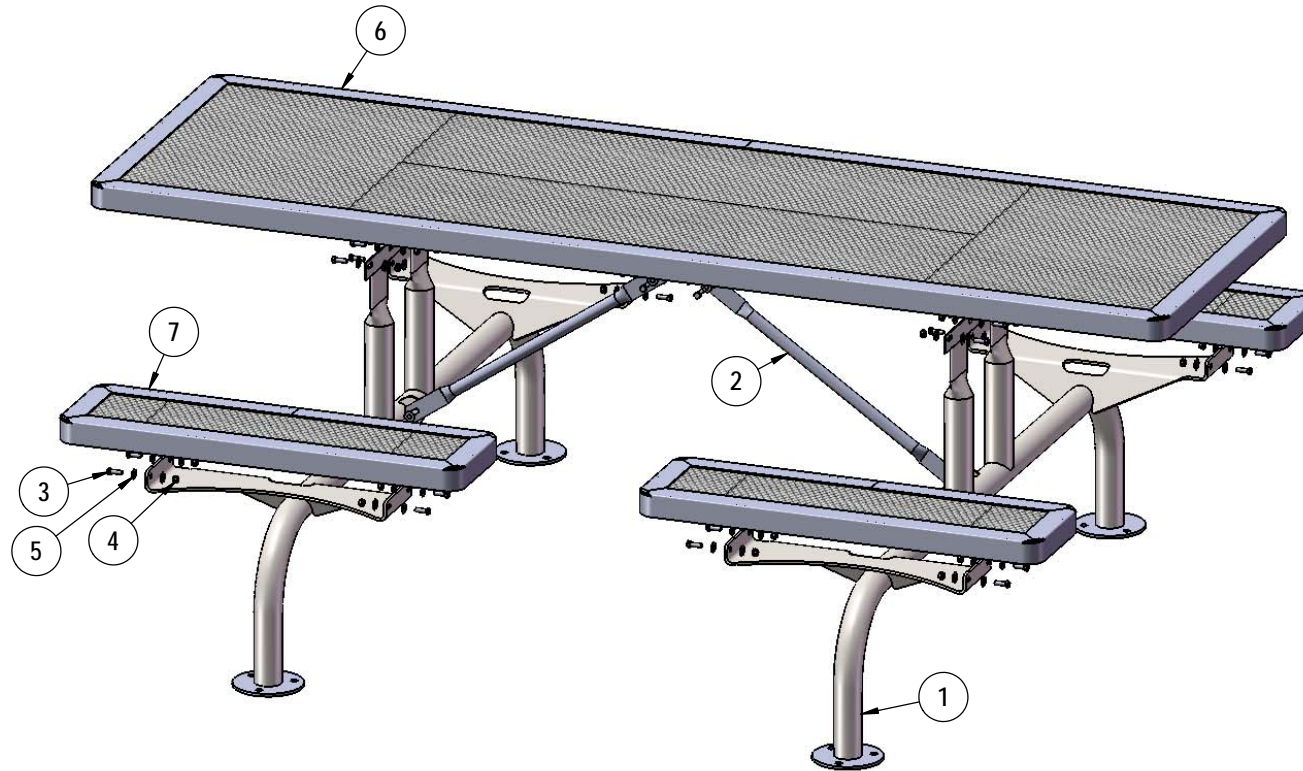
Frame: 2-3/8" O.D. x 12 gauge pre-galvanized structural steel tubing. Cross braces 1" O.D. x 16 gauge pre-galvanized structural steel tubing. Brace attachment points 1-1/2"x1-1/2"x3/16" steel angle. Seat and top mounting points 7 gauge x 1-1/2" die stamped steel flat bar. Seat and table mounting points are 10 gauge die stamped steel flat bar. Legs are bent over a mandrel through the bend radius producing a wrinkle free bend. All electrically MIG welded.

Frame Coating: Electrostatic powder coated application oven cured.

Hardware: All stainless steel hardware fasteners.

Dimensions: Top is 30" wide x 96" long x 30-3/16" high. Seats are 10" wide x 36" long x 18-1/16" high. Overall dimensions are 67" x 96" x 30-3/16".

COMPONENTS

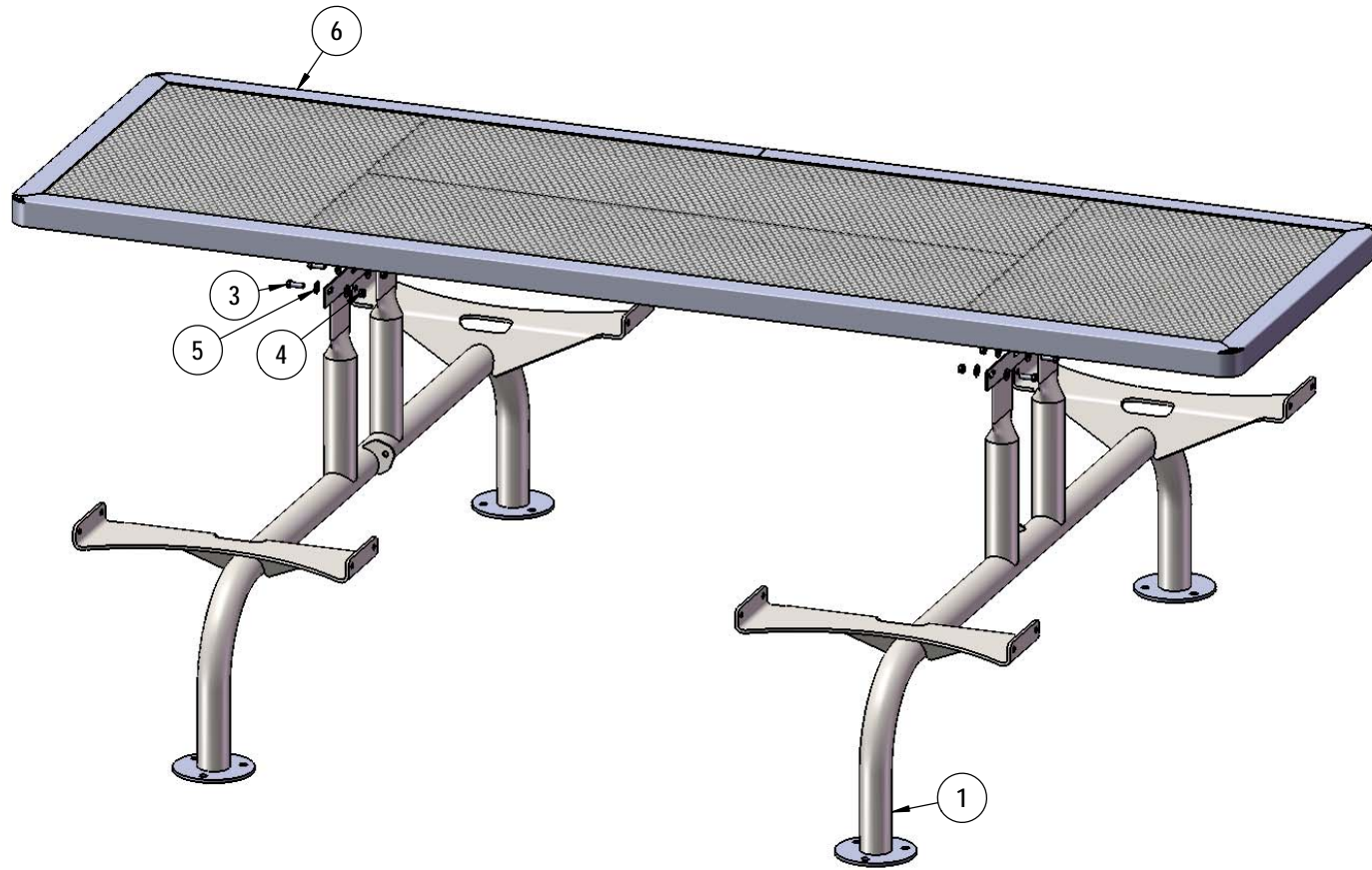


Optional Surface Mount Hardware:
 3/8" x 3-1/2" Concrete Expansion Anchor Bolts
 (Not Included)

ITEM NO.	PartNo	DESCRIPTION	QTY
1	P-V239SM	P-V239SM Leg	2
2	P-01-04-0338	239 Brace 27 3/4"	2
3	33-05-0029	5/16" x 1" Machine Bolt (SS)	28
4	33-03-0012	5/16" Kep Nut (SS)	28
5	33-02-0007	5/16" SS Washer	56
6	RC96H-T	8' H regal expanded top	1
7	RC36-S	3' long x 10" wide regal expanded seat	4

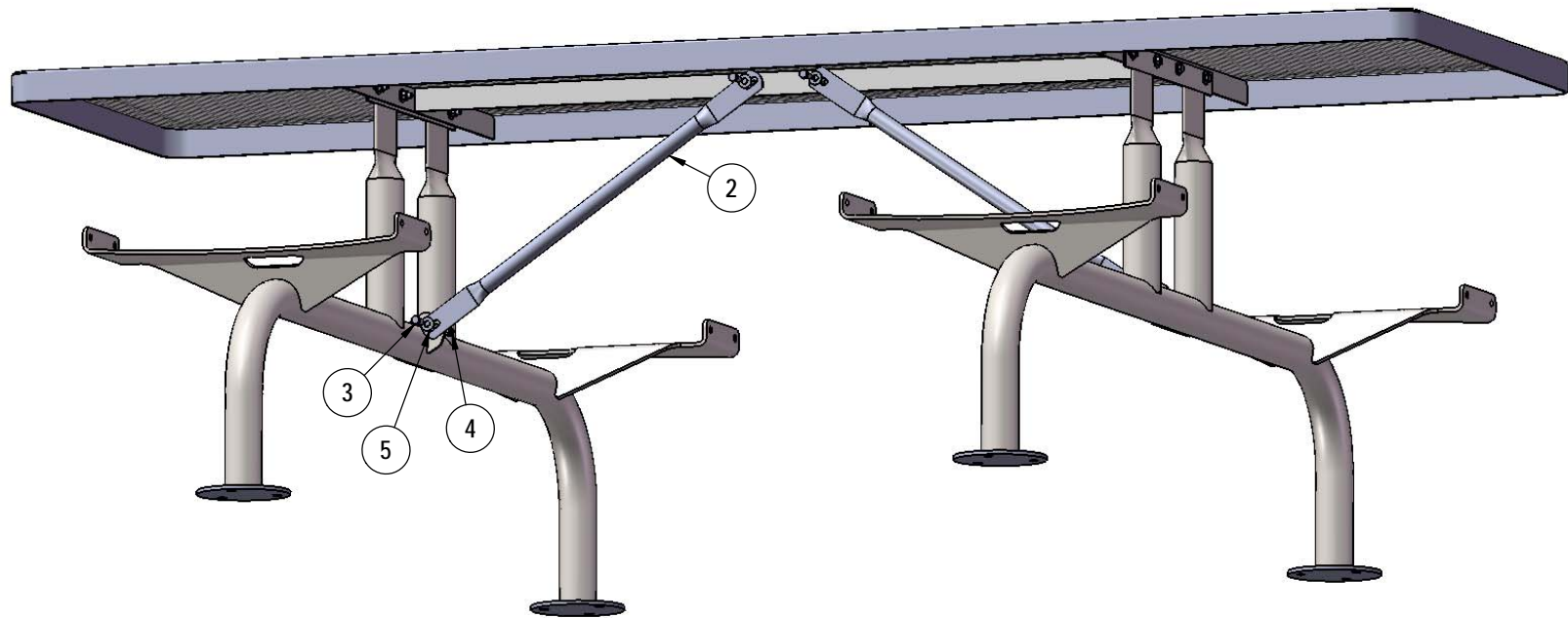
Superior[®]
 RECREATIONAL PRODUCTS
A PLAYCORE Company

STEP 1



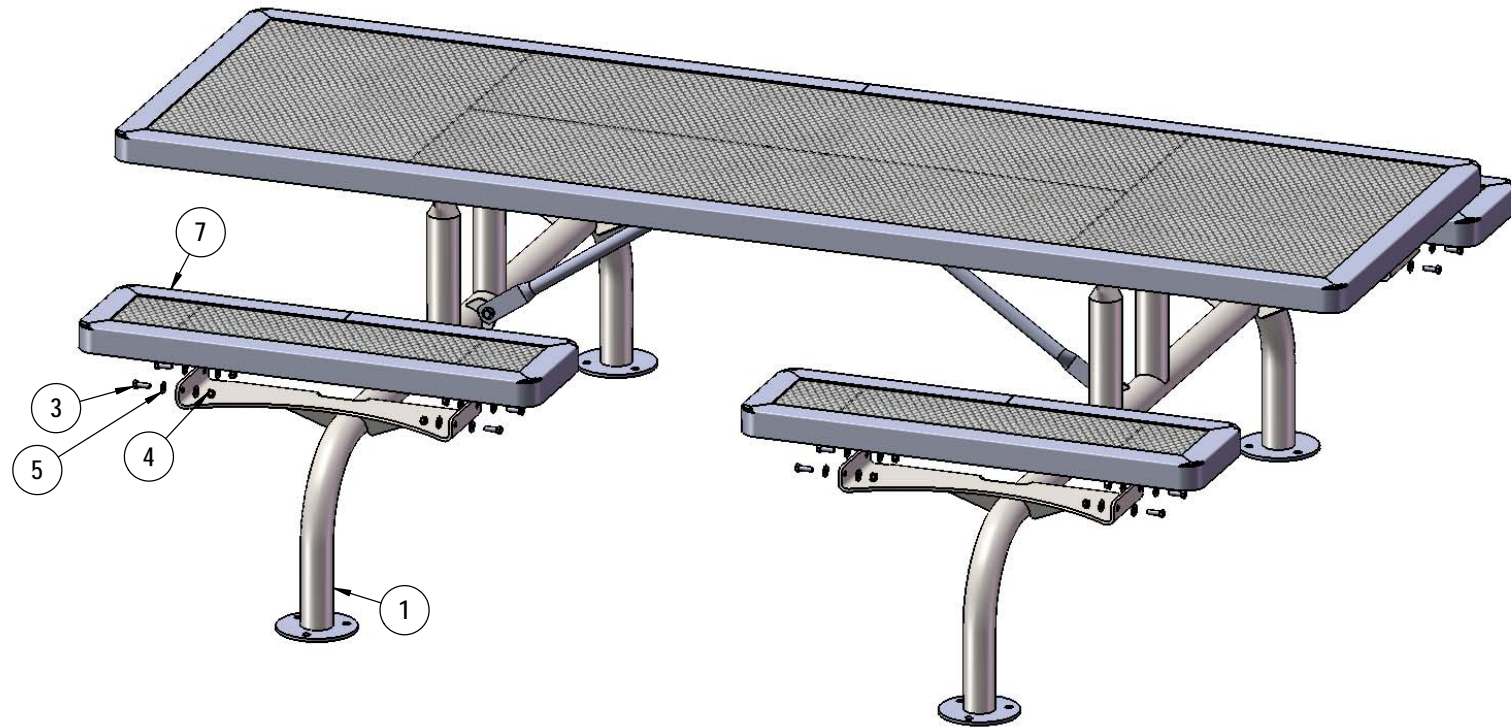
Attach the top to the legs as shown using specified hardware.

STEP 2



Attach the braces to the legs as shown using specified hardware.

STEP 3



Attach the seats to the legs as shown using specified hardware.

OVERALL DIMENSIONS

