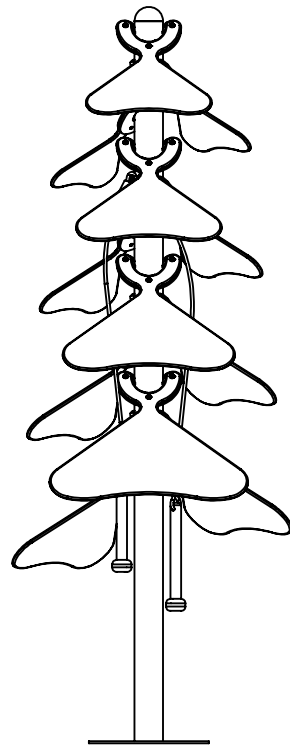
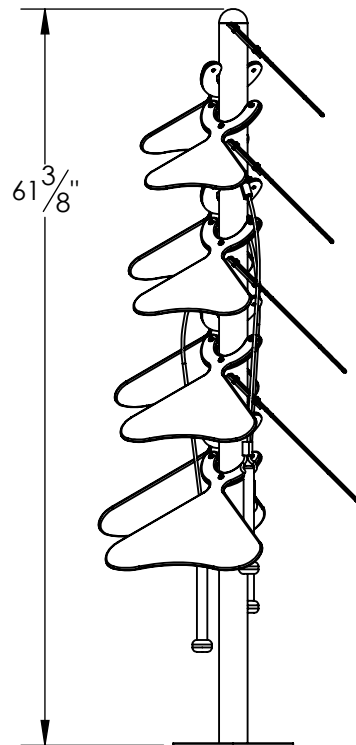
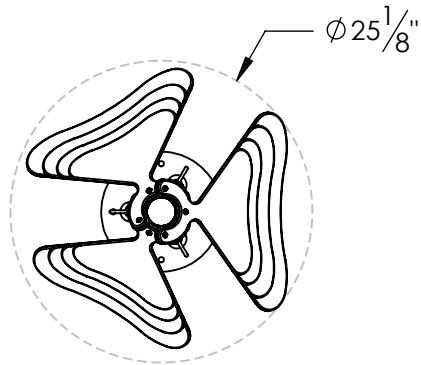


TENOR TREE INSTALLATION GUIDE



Main Features:

- Powder Coated Steel Frame
- Anodized Aluminum Leaves
- Stainless Steel Hardware

Contents:

- SHEET 2 - Parts List and Leaves to Trunk Installation
- SHEET 3 - In Ground and Surface Mount Installation

Weights:

- Instrument Weight, 70lbs.
- Boxed Aluminum Leaves and Hardware Weight, 30lbs.
- Boxed Steel Trunk Weight, 40lbs.

TITLE:
Tenor Tree - Installation Guide

DWG. NO. TREE-INSTALL

REVISION: A

SCALE: 1:16

DATE: 11/21/2018

SHEET 1 OF 3

Parts List:



FREENOTES HARMONY PARK
 194 BODO DRIVE, UNIT F
 DURANGO CO 81303
 TEL: (970) 375-7825
 FAX: (970) 247-0856
 WWW.FREENOTESHARMONYPARK.COM

PROPRIETARY AND CONFIDENTIAL
 THE INFORMATION CONTAINED IN THIS
 DRAWING IS THE SOLE PROPERTY OF
 FREENOTES HARMONY PARK. ANY
 REPRODUCTION IN PART OR AS A
 WHOLE WITHOUT THE WRITTEN
 PERMISSION OF FREENOTES HARMONY
 PARK IS PROHIBITED.

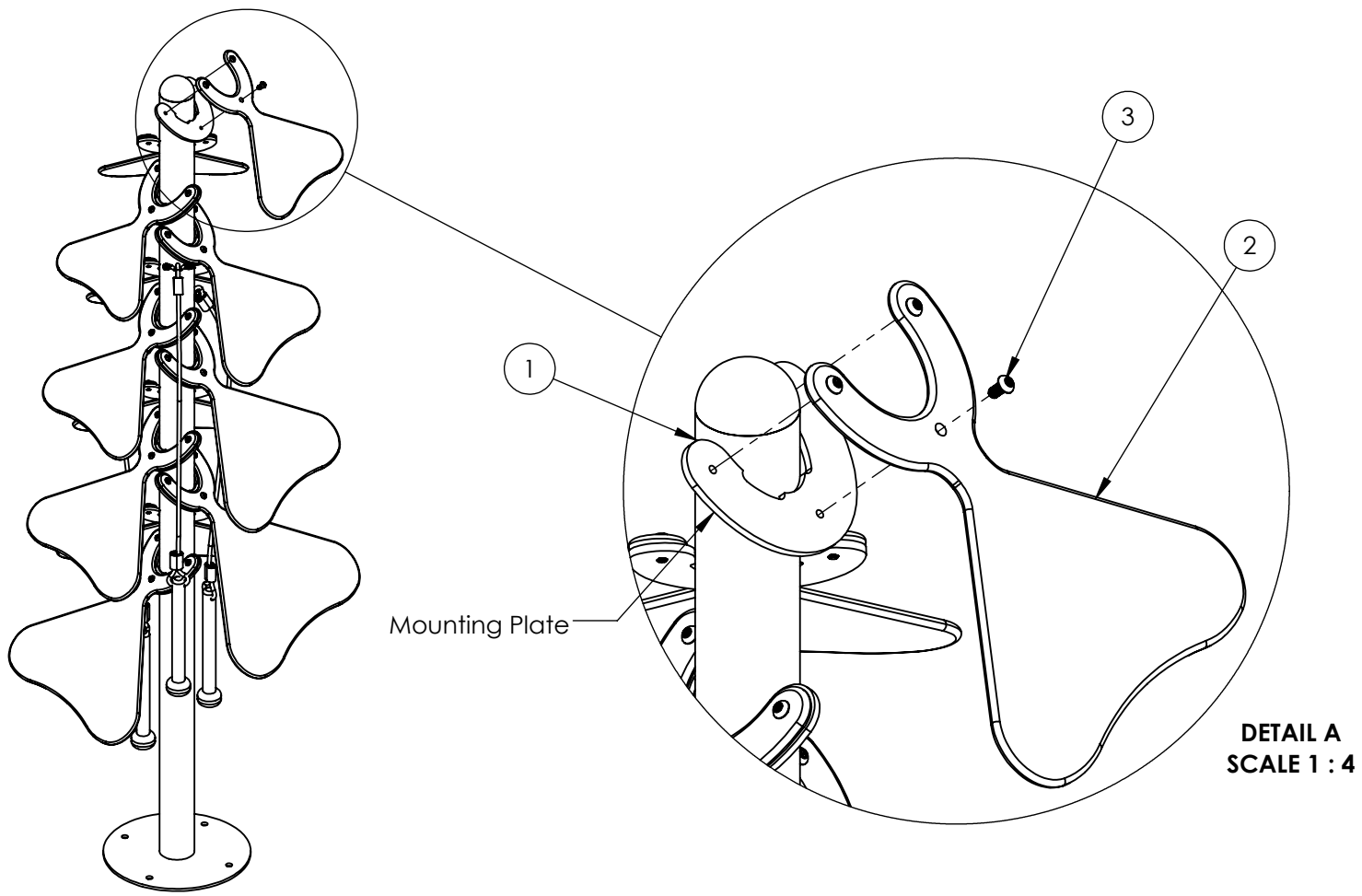
TITLE: Parts List and Leaves to Trunk Installation
 DWG. NO. TREE-INSTALL

REVISION: A
 SCALE: 1:12
 DATE: 11/21/2018
 SHEET 2 OF 3

ITEM NO.	PART NUMBER	DESCRIPTION	QTY.
1	TREE-TNK-FP	Tenor Tree - Steel Trunk (Powder-coated)	1
2	TREE-LEAF-SET-FP	Tenor Tree - Aluminum Leaf Set (Anodized)	1
3	25C50MBTS	1/4"-20 Button Head Screw, .5"lg. SS, T27 tamp	36
4	12263B	T27 x 1" Driver	1
5	209728-12	Loctite Heavy Duty Threadlocker, 0.2oz, Blue 242	1
6	POW 07315	3/8"-16 Wedge Expansion Anchor, 3.75"lg. SS	4
7	9267K43	35/64" Hex Nut Cap	4

Step 1: When mounting the Leaves and Hardware to the Tree Trunk start at the lowest mounting plate on the Tree Trunk and working up going to the next lowest mounting plate location. Each Leaf is numbered. Using the following number pattern when installing from the bottom up: **3, 2, 1, 6, 5, 4, 9, 8, 7, 12, 11, 10**

Step 2: A Security Driver is provided for securely fastening down the screws through the leaves into the Trunk mounting plates. Drive slowly to prevent the threads from stripping. Tighten down until the Leaf is flush with the mounting plate. **Place a small drop of Blue Loctite to the end of the screw prior to installation to prevent fasteners from backing out.**



Step 1: Determine installation location. Verify concrete footing is a minimum of 24" long x 24" wide x 6" thick. If the concrete pad is at an angle, steel washers are required to act as shims (Shims not provided). If there is not already an existing pad, approximately (3) 80lb. bags will be needed. Allow concrete to cure per concrete manufacturers guidelines. (If a In-Ground appearance is desired recess the concrete pad 4" below finished grade)

Step 2: With two people place the Instrument Assembly onto the concrete pad and mark the center of the holes on the surface mount plate. After you have made your marks, set aside the Instrument in order to drill for anchor holes. With a hammer or rotary drill, drill through concrete at marked locations. Drill to a minimum depth of 4". A 3/8" masonry drill bit will be needed.

Step 3: Place the Instrument back over the drilled out holes. Insert provided anchor bolts into aligned holes. Position anchor nut so that it is flush with the top of the bolt. Pound anchor bolts into the hole until the anchor washer is flush with the steel base. Tighten anchor bolts until they are snug. Cover remaining bolt sections with provided nut caps.

Step 4: Verify the correct placement, levelness, and finished height of the instrument. Also check for sufficient clearance around the instrument. A 36" perimeter around the instrument is recommended for wheelchair accessibility.

Step 5: If installing onto wet concrete, us the wet set anchor manufacturers guidelines for installation procedures.

