

USER GROUP: 2-5 Years, 5-12 Years

RECOMMENDED CREW: 2-3 People

TOOLS REQUIRED:

- TT-45 Torx, 9/16" Hex, 3/4" Hex, 1/8" Allen, 1/4" Allen
- Level, Square, Hammer
- Auger / Post Hole Digger / Shovel
- Drill Bits: 21/64"
- Framing, Bracing, or Concrete Forms (Not Included)
- High Speed 3/8" Electric Drill with Clutch

NOTE: Use of any other driver may result in damage to product, tool, and/or hardware!

NOTE: Apply Thread Locking Solution to ALL Non-Patched Hardware with Threads!

INSTALLATION TIME: 2 Hours

WEIGHT: 229 lbs.

CONCRETE REQUIRED: (13.7) 80lb. bags - 8.2 ft³

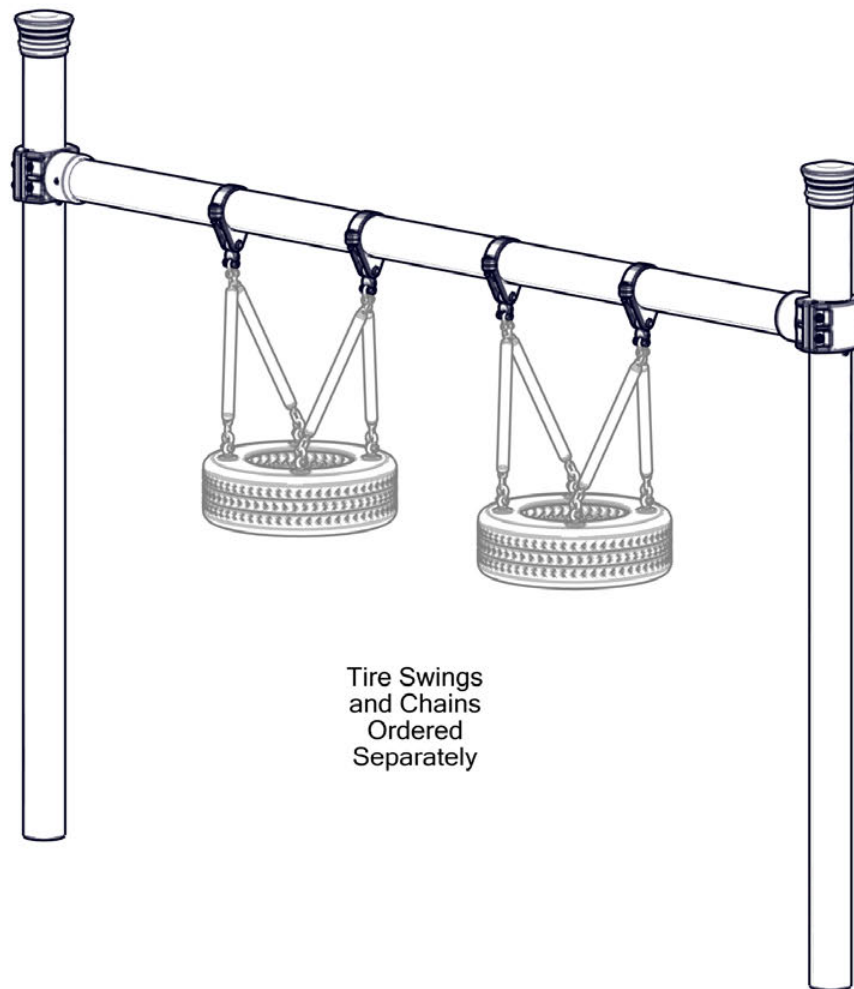
NOTE: Concrete must have a minimum rating of 2,500 psi and must be mixed per manufacturer's recommendations.

PRE-INSTALLATION CHECK:

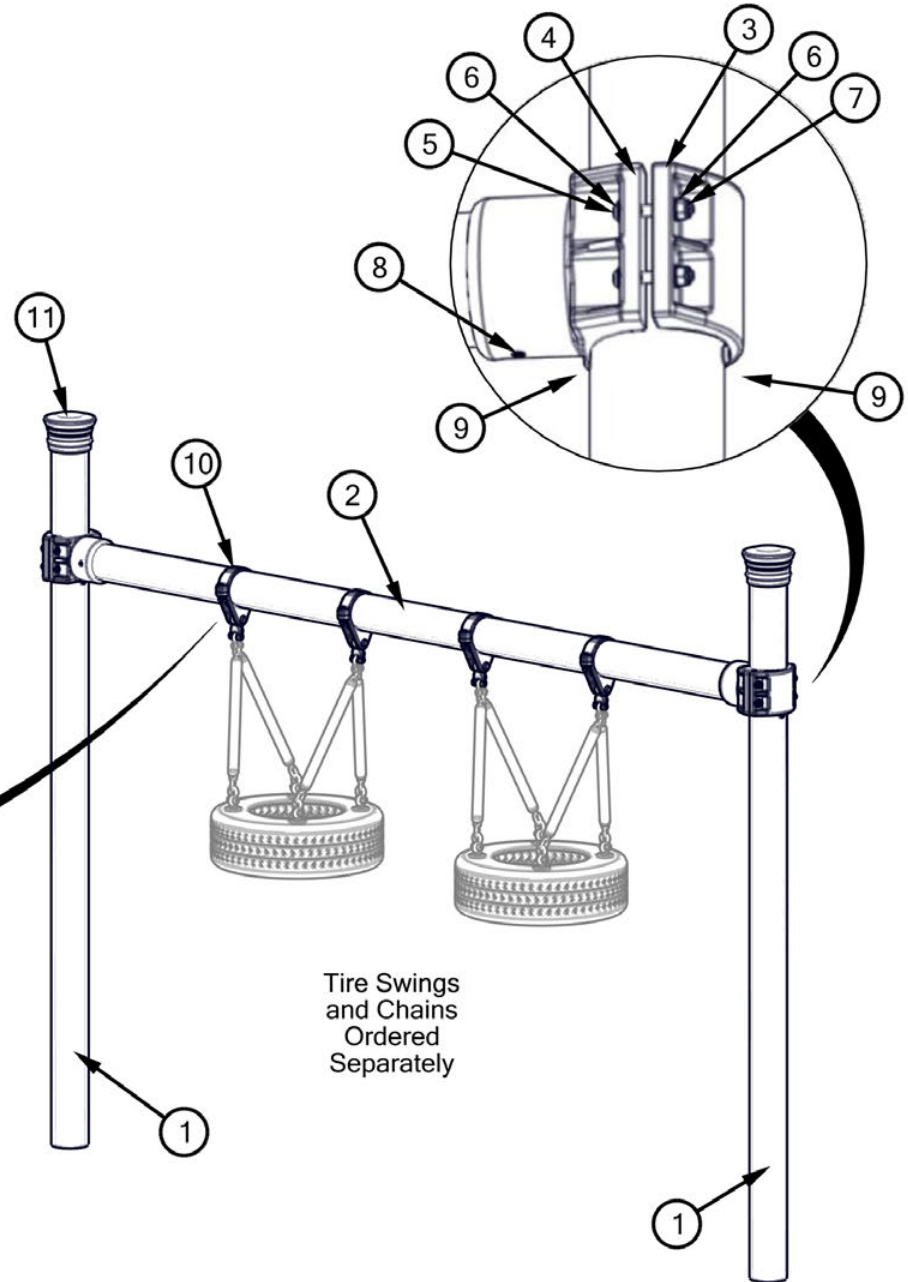
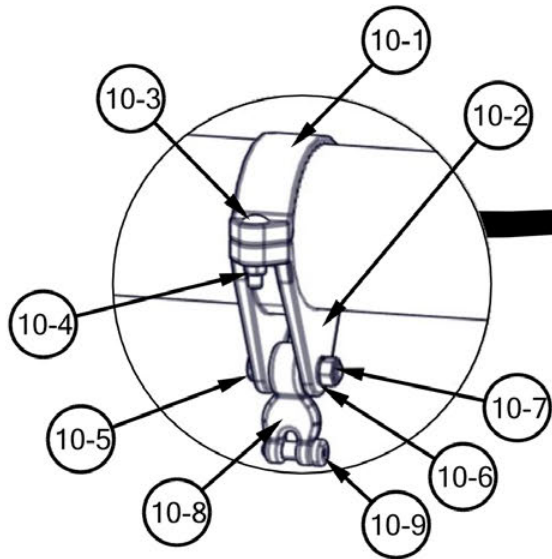
Customer is responsible for verifying materials received by comparing received items with packing list. If any parts are missing or damaged, including documentation, contact your local sales representative immediately.

Supplier is not responsible for items discovered missing after 72 hours from time of delivery.

Before beginning installation, all installers must read and understand the Installation Introduction manual as supplied. If you did not receive a copy, or if you have any questions regarding any information in the Installation Instructions or this Installation Guideline, contact your local sales representative.



ITEM	Part No.	QTY	DESCRIPTION
1	PST-0895XX	2	5" OD x 11 Ga. x 102" (Coated)
2	FAB-310818XX	1	5" OD 11 Ga. x 132" (COATED)
3	90215505XX	2	Fitting - 5 x 5 Saddle (Coated)
4	90215515XX	2	Fitting - 5 x 5 Receiver - (Coated)
5	HWB0610	8	Bolt 3/8"-16 x 2-3/4" TORX Security with Patch SS
6	HWWR0165	32	Washer 3/8" ID x 7/8" OD General Purpose SS
7	HWN0098	8	Nut 3/8" - Nylock 300 S/S
8	HWS0016	4	Screw 1/2"- x 3/4" Allen Set
9	HWS0081	4	Screw 3/8"-16 x 1-1/4" Self-Tapping Torx w/Patch
10	1487	4	SWING HANGER 5" O.D.
10-1	157005	1	5" Top Clamp Half
10-2	157013	1	5" Bottom Clamp Half
10-3	800256	2	Bolt - 3/8" x 2" CAR GD 5 (Note: For Use In Swing Hanger Only)
10-4	804353	2	Nut - 3/8" Self Locking Hex (Note: For Use In Swing Hanger Only)
10-5	801200	1	Bolt - 1/2" x 2 1/2" HH w/ 1" Thread (Note: For Use In Swing Hanger Only)
10-6	817342	1	Washer - 1/2" Lockwasher SS
10-7	804055	1	Nut - 1/2" Hex SS
10-8	157010	1	Swing Hanger Pendulum Assy
10-9	811226	1	Bolt - 3/8" x 1" Shoulder Bolt (Note: For Use In Swing Hanger Only)
11	CTG-10011XX	2	Post Cap 5" - Generic (Coated)

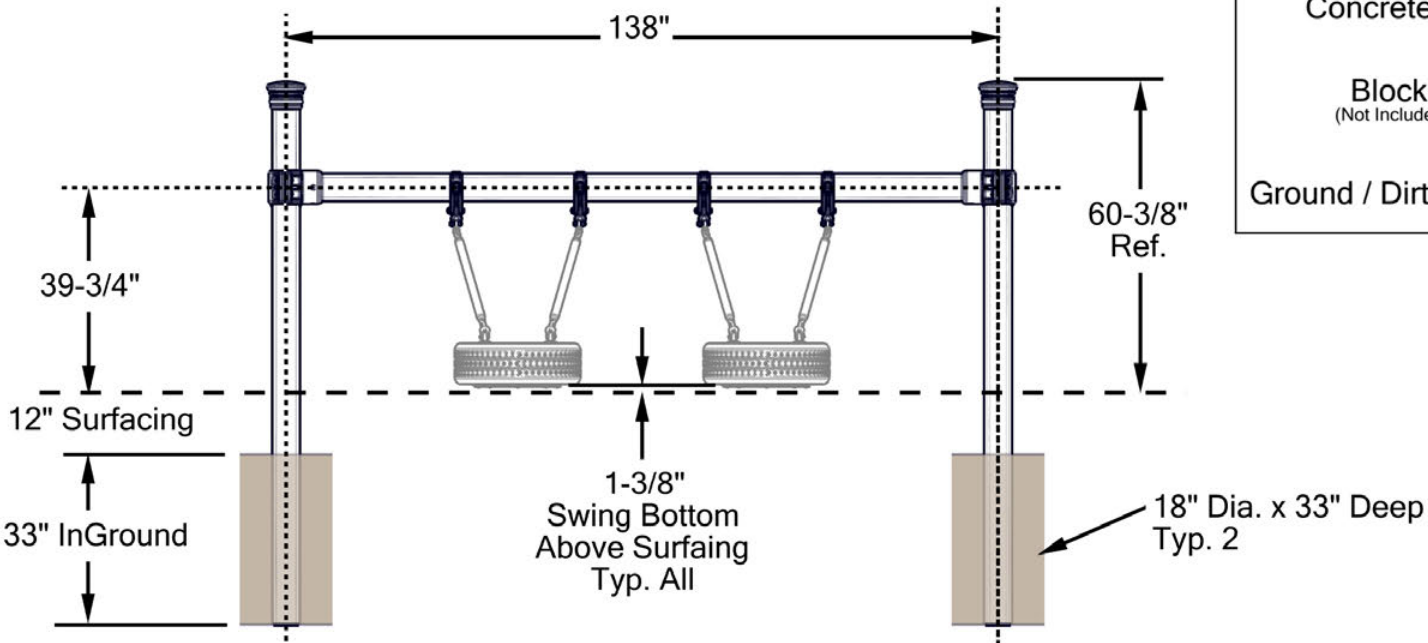
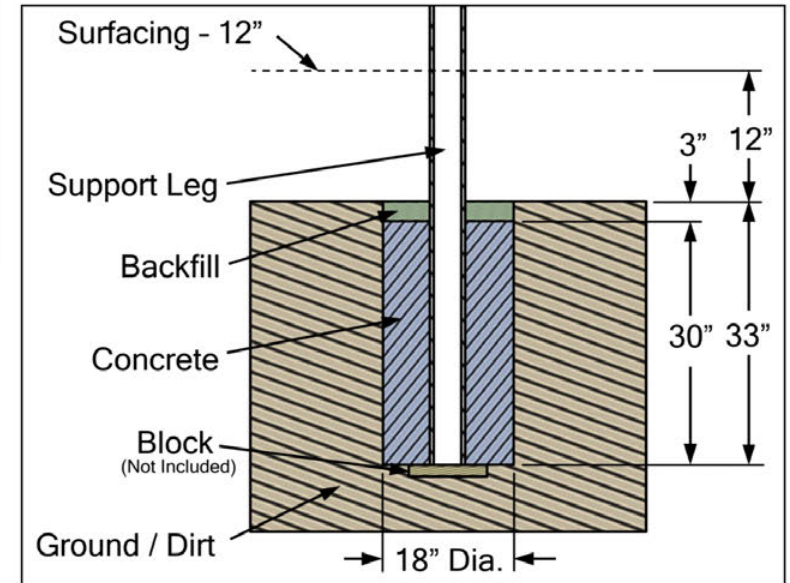


Tire Swings
and Chains
Ordered
Separately

STEP 1

Prepare footing holes. Refer to site plan drawing and site elevation drawing for placement of all support posts. Installer is responsible for proper location of all support posts. Footing hole spacing is shown below. Footing holes for support posts must be 18" diameter and 33" deep plus 12" surfacing. Place one block (not included) into bottom of each footing hole. See Detail 1-1. If surfacing is less than 12", deepen footing holes as needed. **DO NOT ADD CONCRETE.** Footing holes will be completed at STEP 5. Proceed to STEP 2.

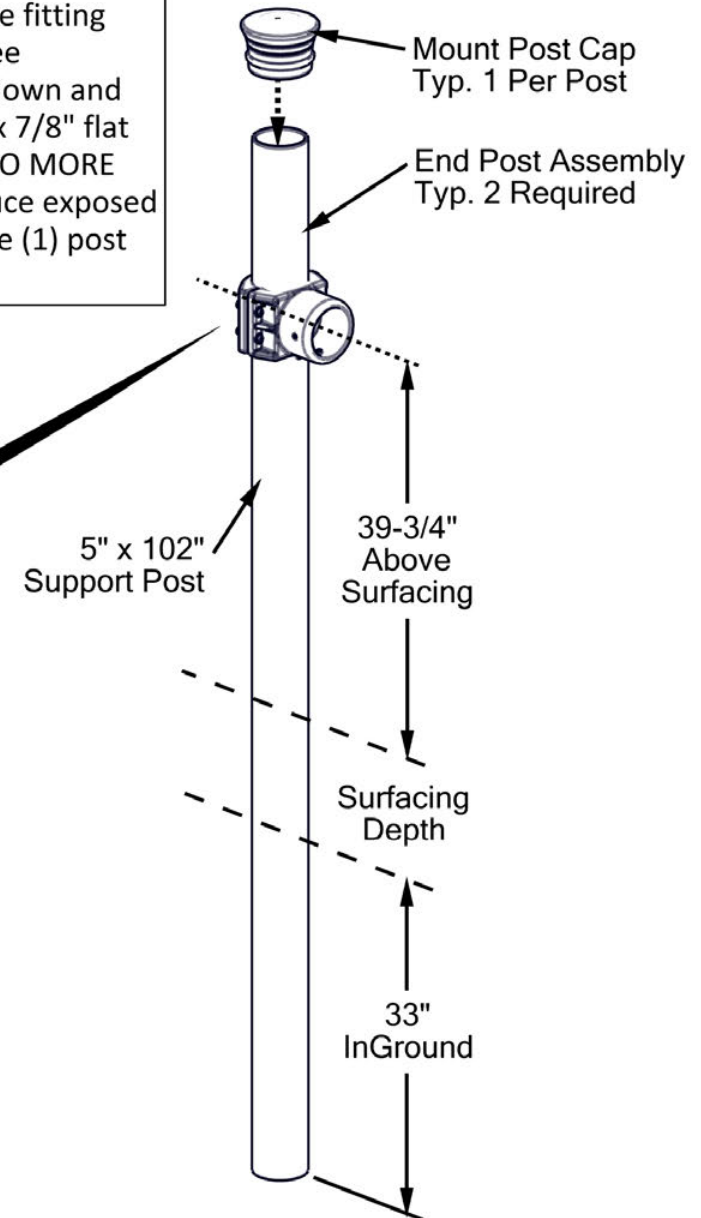
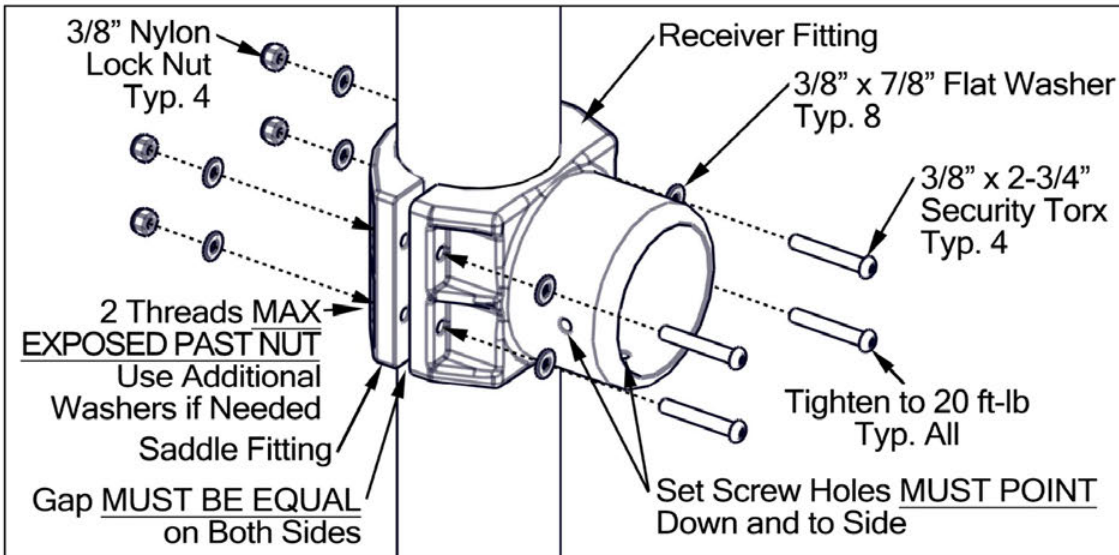
Detail 1-1



STEP 2

Mount saddles and receivers to end support posts. At each end post, position one (1) saddle fitting and one (1) receiver fitting. Center of receiver fitting should be 39-3/4" above surfacing. See measurement method at right. Receiver has two (2) set screws holes. Holes **MUST POINT** down and to the side. Secure fittings together with four (4) 3/8" x 2-3/4" security Torx, eight (8) 3/8" x 7/8" flat washers, and four (4) 3/8" Nylon lock nuts. Gap on each side of fittings **MUST BE EQUAL**. **NO MORE THAN two (2) threads of ANY bolts** should extend past nuts. Use additional washers to reduce exposed threads. Tighten hardware to approximately 20 ft-lb (+/- 1 ft-lb). See Detail 2-1. Mount one (1) post cap to top end of post. Repeat STEP 2 for additional end post.

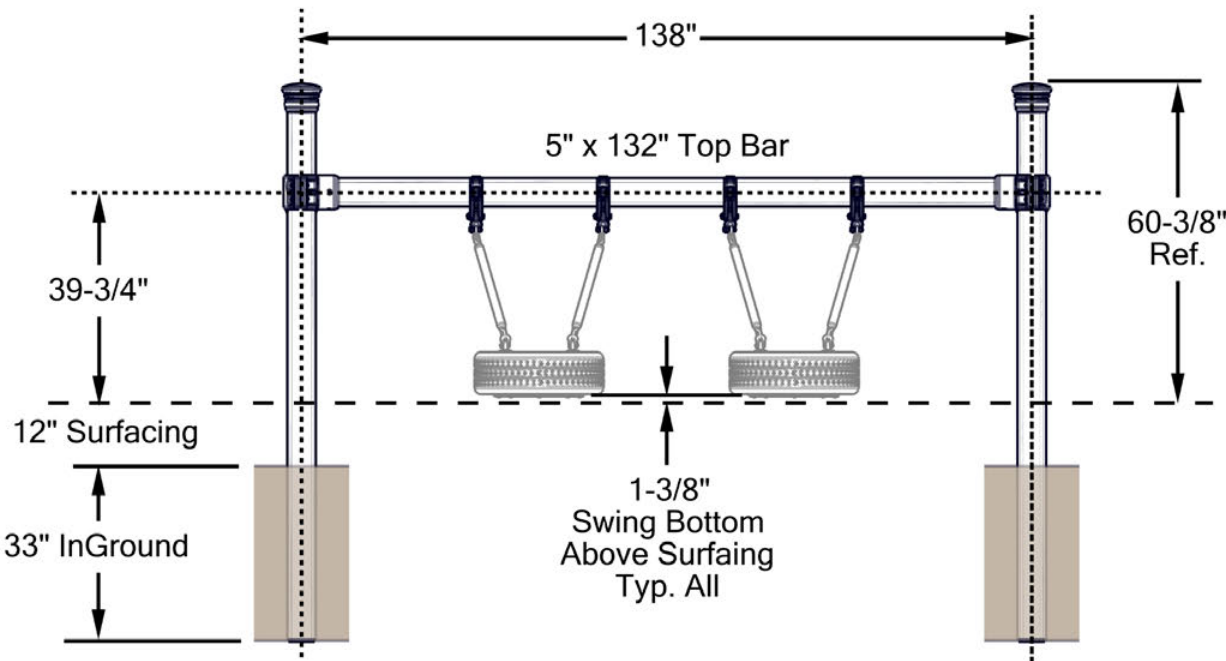
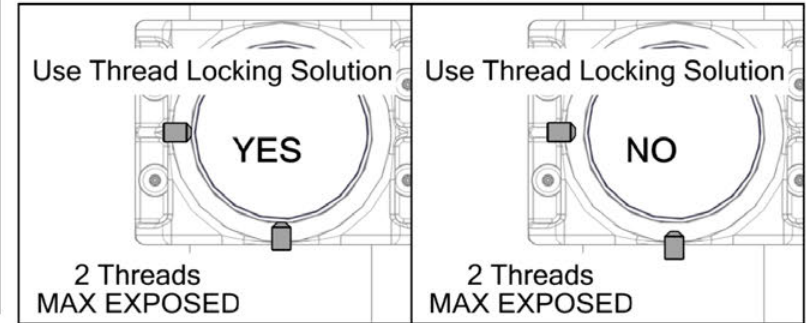
Detail 2-1



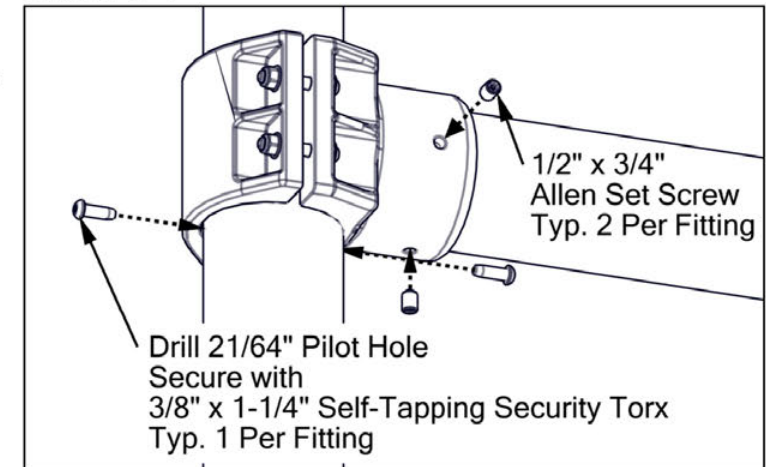
STEP 3

Mount top bars. Insert top bar ends into receiver fittings. Ensure ends of top bars seat fully into receiver fittings. At each receiver fitting, secure with two (2) 1/2" x 3/4" Allen set screws. Set screws **MUST BE FULLY TIGHTENED**. See Detail 3-3. Repeat for all receiver fittings. At bottom of each saddle fitting, drill one (1) 21/64" pilot hole into support post. Secure with one (1) 3/8" x 1-1/4" self-tapping security Torx. At bottom of each receiver fitting, drill one (1) 21/64" pilot hole into support post. Secure with one (1) 3/8" x 1-1/4" self-tapping security Torx. See Detail 3-1.

Detail 3-3

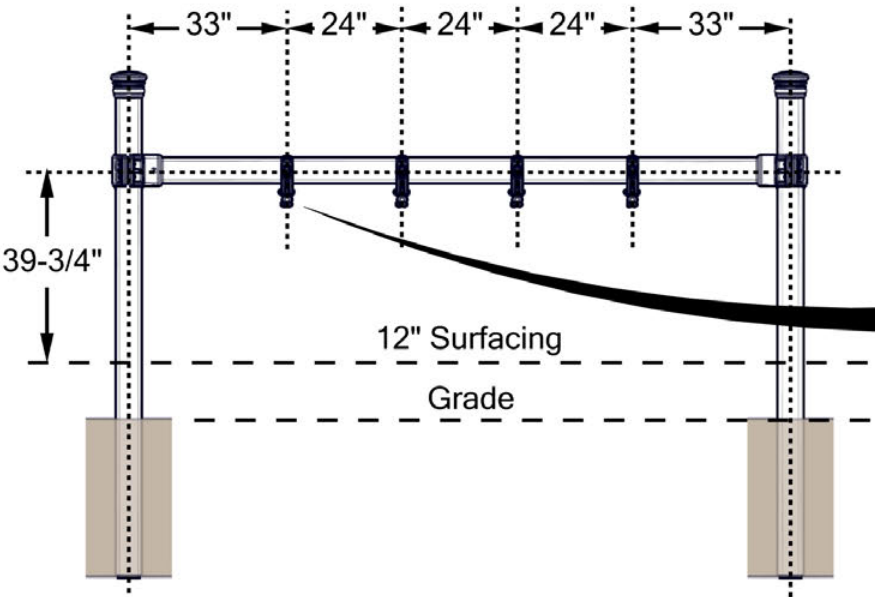


Detail 3-1

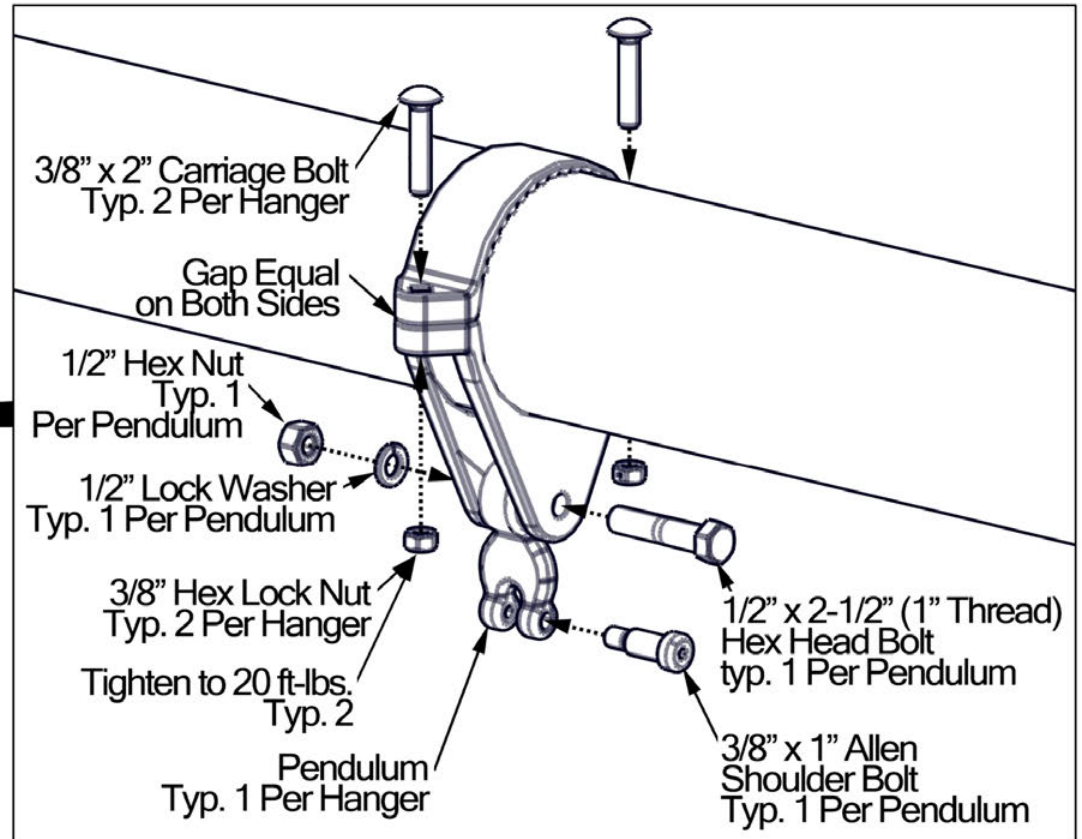


STEP 4

Mount swing hangers to top bars. Swing hanger spacing is shown below. Place top clamp half over top of bar. Place bottom clamp half under top bar. Secure top and bottom together with two (2) 3/8" x 2" carriage bolts and two (2) 3/8" lock hex nuts. Ensure gap on each side of clamps is equal. Tighten hardware to approximately 20 ft-lb (+/- 1 ft-lb). Secure pendulum to bottom clamp with one (1) 1/2" x 2-1/2" (1" thread) hex head bolt, one (1) 1/2" lock washer, and one (1) 1/2" hex nut. See Detail 4-1. Mount four (4) hangers per each top bar. Swing chain will be secured to pendulum with one (1) 3/8" x 1" Allen shoulder bolt.



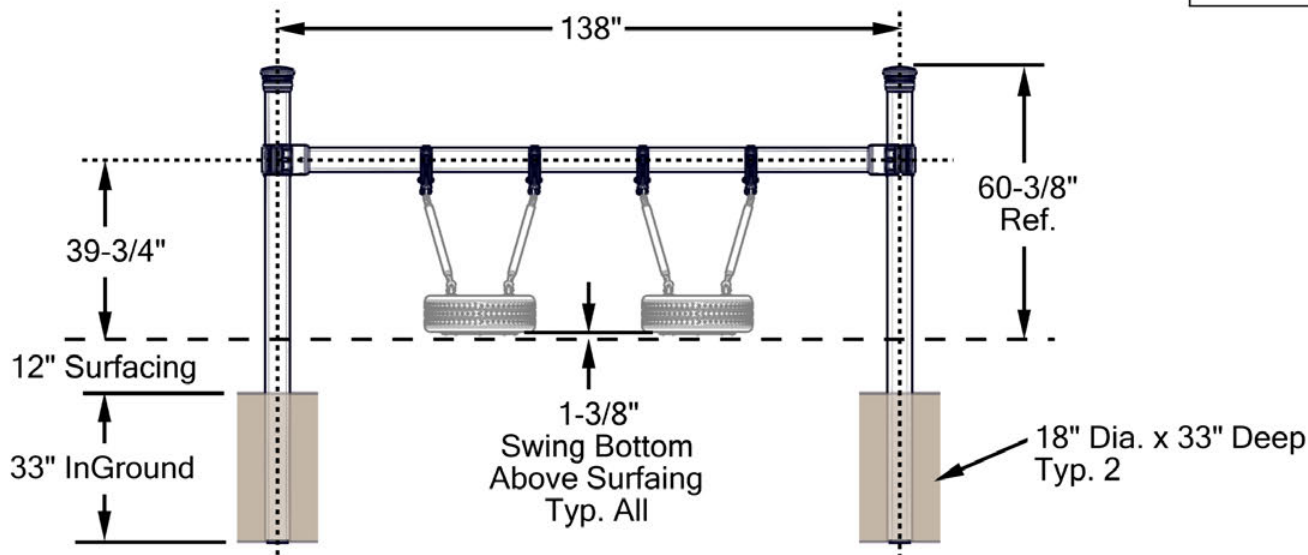
Detail 4-1



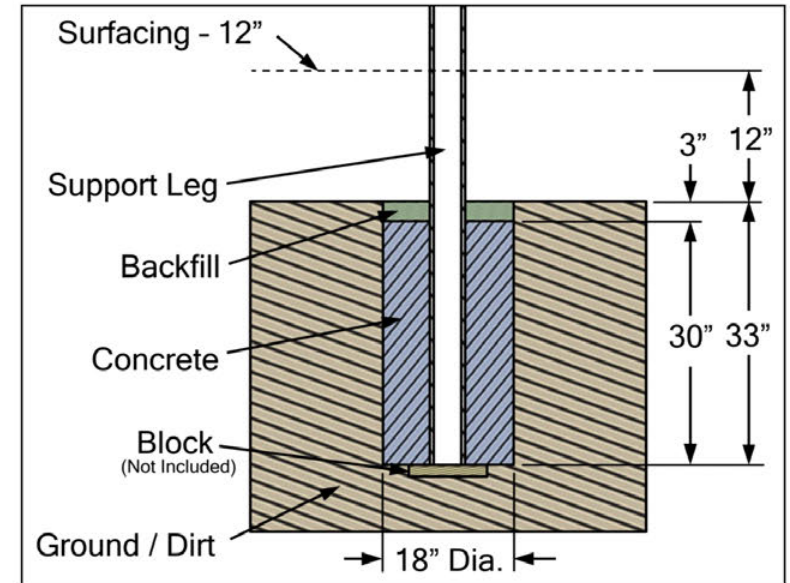
STEP 5

Complete setting of footing holes. Ensure support posts are plumb. Ensure blocks are beneath support posts. Ensure center of top bars are 39-3/4" above surfacing. Fill footing holes with concrete to within 3" from ground surface. Allow concrete to cure based upon manufacturer's instructions. Backfill footing holes with dirt, flush with grade. See Detail 5-1 for footing hole details. **DO NOT** install swings or chains until concrete is fully cured. **DO NOT** install swings or chains until play area is available for use. Check all connections and ensure structure is stable. All concrete must be fully cured before use of structure. Installation is complete. Place one (1) Age Appropriate Sticker (based upon swing style) on structure in a clearly visible location.

DO NOT Install Swings or Chains
Until Concrete is **FULLY** Cured.
DO NOT Install Swings or Chains
Until Play Area is Available for Use.



Detail 5-1



Page Intentionally Left Blank