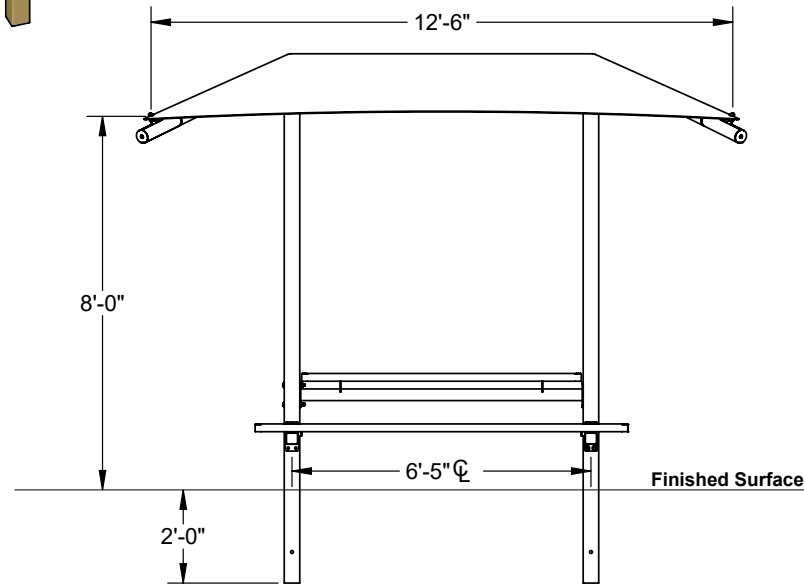
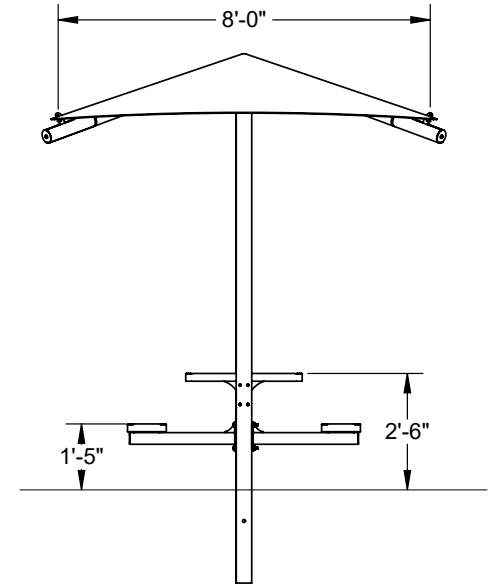


ITEM NO.	PART NUMBER	DESCRIPTION	QTY.
1	PSA-7053XX	Column - 4" x 4" x 135 1/8" w/ Holes & Sockets	2
2	FAB-RI-3511-069_50XX	Ridge Pole - Swaged Ø3 1/2" 11-Ga x 69 1/2"	1
3	FAB-RA-3511-047_50XX	Rafter - Swaged 3 1/2" OD 11-Ga x 47 1/2"	4
4	MTA25592XX	Extension - 3 1/2" OD Rafter Glide Mechanism	4
5	AFB-36061XX	Table Support - 3" x 3" x 73", Flanged w/ Attachment Plates	1
6	AFB-36063XX	Bench Support - Right - 3" x 3" x 27 1/2" w/ Flange & Bracket	2
7	AFB-36064XX	Bench Support - Left - 3" x 3" x 27 1/2" w/ Flange & Bracket	2
8	RC72-T	Table Top - 72" RC	1
9	RC96-S	Seat - 96" RC	2
10	FTRU1208	Fabric - 12.5' x 8' Rectangle Umbrella, with Glide	1



FRONT ELEVATION



SIDE ELEVATION

TRU120808IG

SUPERIOR SHADE 150 ADAMSON INDUSTRIAL BOULEVARD CARROLLTON, GA 30117 1-888-829-8997	DESCRIPTION:		
	Shade - Rectangle Umbrella - 12.5' x 8' x 8', Embedded, with Glide, Table Top, & Benches		
SCALE:	SHADE STYLE:	SHEET:	
Varies	Mech.	1 of 3	
DATE:	UNITS:	PROPOSAL NO:	
	INCHES / FEET		

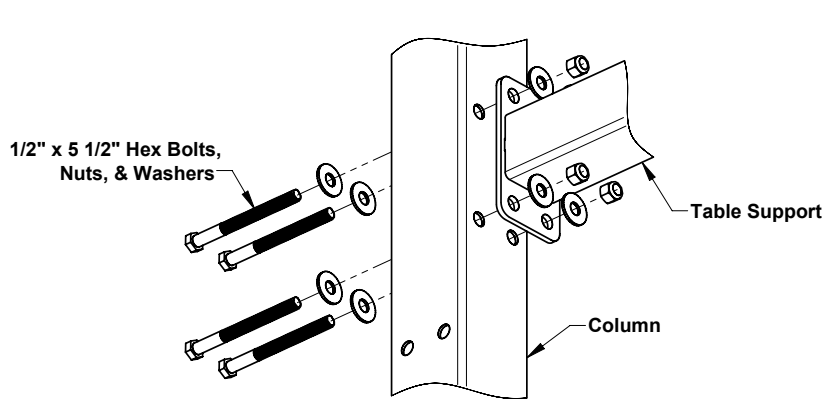
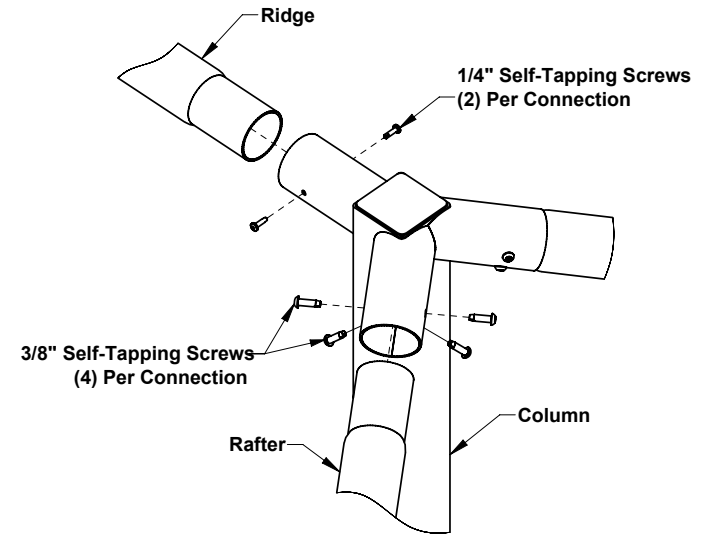
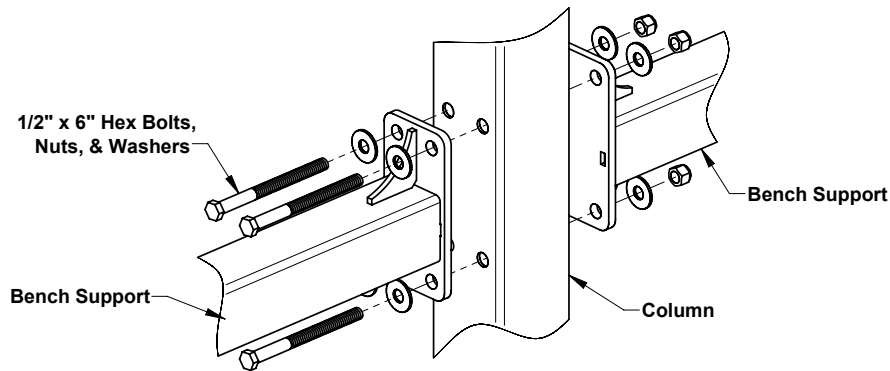


TABLE SUPPORT CONNECTION



COLUMN-RIDGE-RAFTER CONNECTION



BENCH SUPPORT CONNECTION

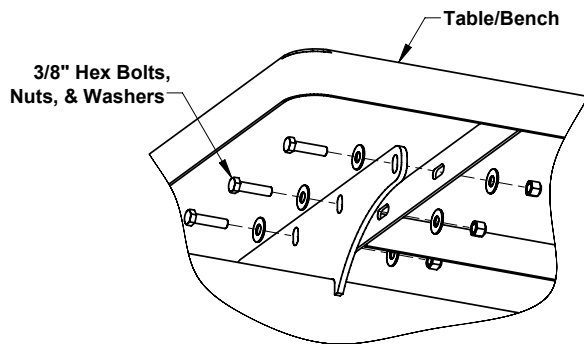
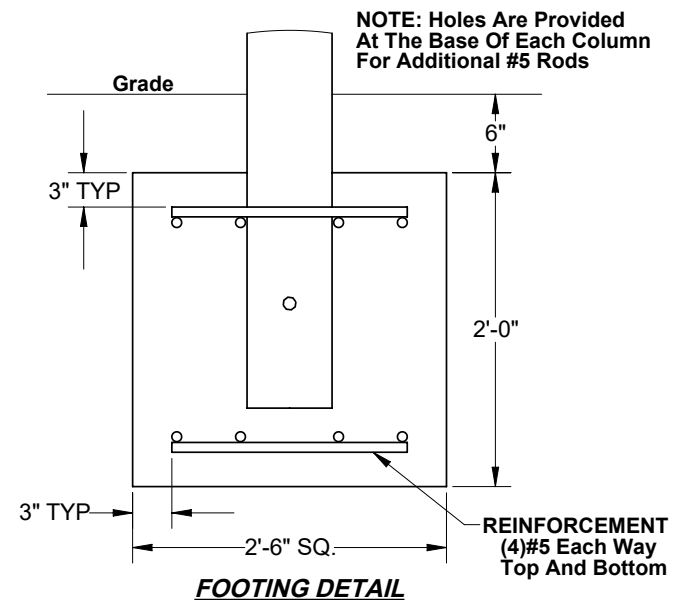
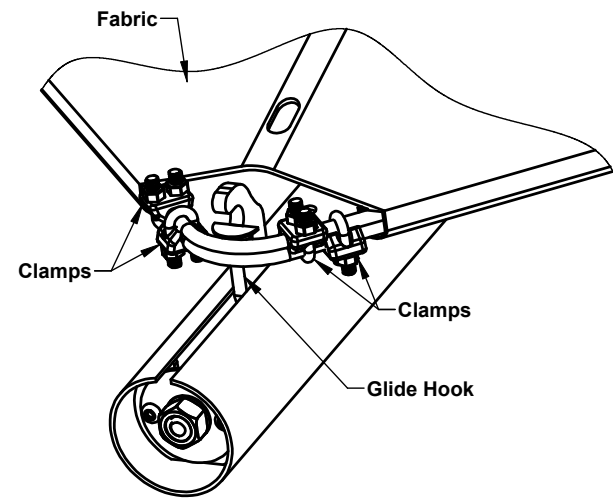
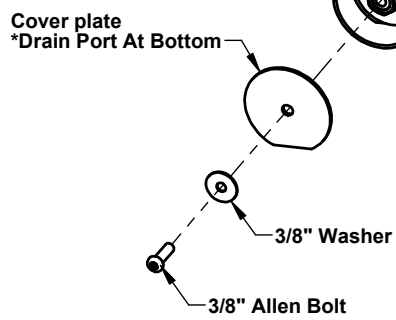
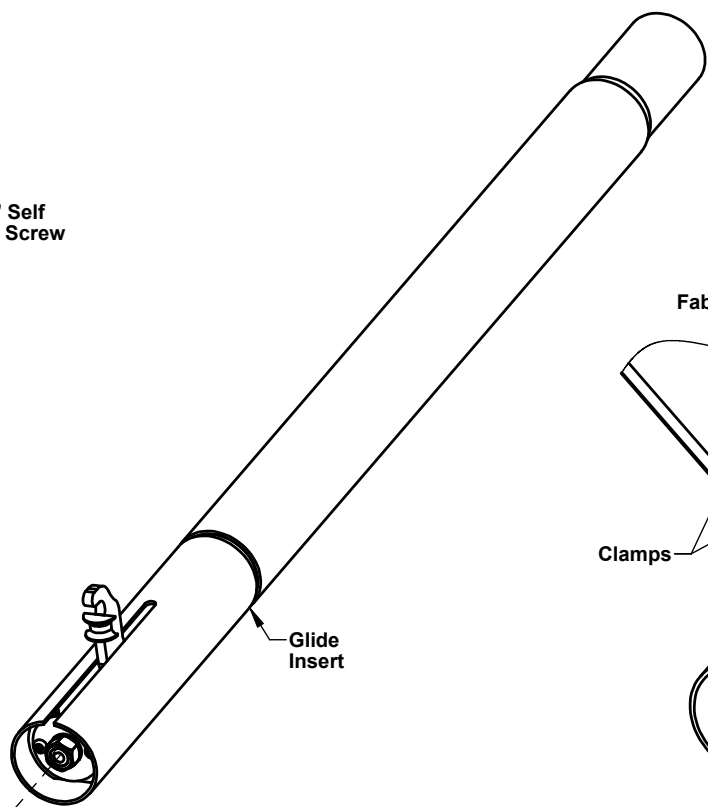
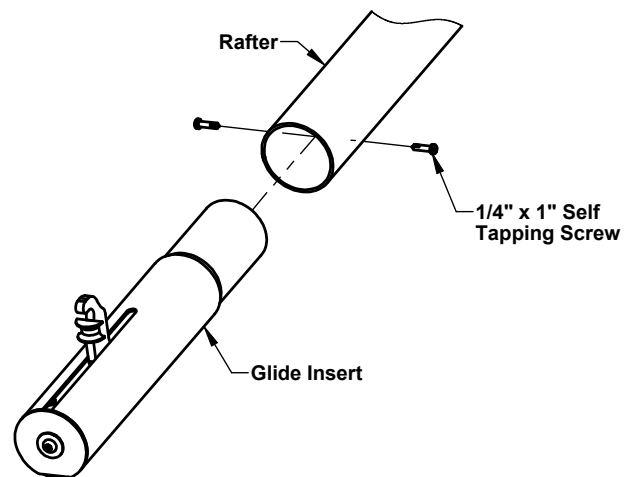


TABLE & BENCH CONNECTION



FOOTING DETAIL



NOTE: On three Of The Four Corners The Cable Will Loop Over Glide Hook Followed By Fabric.

On The Fourth Corner The Cable Ends Will Overlap Under Hook And Secured With TWO Cable Clamps On Both Sides Of Hook. Loose Ends Are Then Tucked Back Into Fabric Hems.