

Installing Your New Pet Waste Station

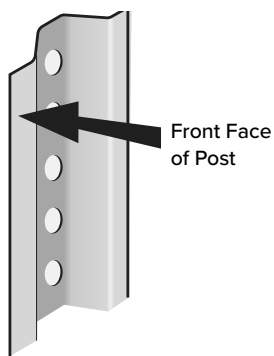
1 Choose an installation method.

A **concrete footing** will provide the most professional and durable installation. This method will give you better control of post alignment and is less prone to shifting from wind or misuse.

Many people prefer to install using a **fence post driver**. This method is fast and can yield very good results. Sometimes this method is used with the intention of creating a concrete footing at a later time.

With either method, the area should be properly inspected for underground utilities before installation begins. Underground utilities may include cable, electric, sprinklers, sewer, water, telecommunications, drainage pipes and sprinklers. You can usually accomplish this with one phone call (Dial 811) to your state's underground utility service.





DRAWING A

Tools Checklist - All Installations:

- 1/2-inch wrench
- 1/2-inch socket wrench
- Level
- Tape measure
- Goggles & work gloves

Concrete Installation Also Needs:

- Post hole digger (or shovel)
- Two 50 lb bags of quick-setting concrete
- Mixing container and water

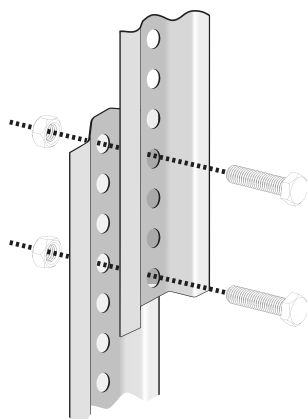
Post Driver Installation Also Needs:

- Fence post ("t-post") driver
- Ink marker

2 The post comes in two sections. Identify the bottom section, which is tapered on one end. See *Drawing A*. Also identify the front face of the posts, which is has a wider surface for mounting. See *Drawing B*.

Creating a Concrete Footing. (If you are installing with a fence post driver, skip to step 4a.)

- 3a** Using a post hole digger, auger, or shovel, prepare a footing hole 12 inches wide and 12 inches deep.
- 3b** Rest the bottom post in the hole with the base in the center and with the face of the post facing in the correct direction. The post section can rest on the side of the hole for the time being.
- 3c** Following the manufacturer's instructions, prepare concrete using two 50-pound bags of quick-setting concrete mix and fill the hole.
- 3d** Immediately reposition the post so that it is centered in the hole and straight. Check the plumb of the pole, make any needed adjustments and secure appropriately. Allow concrete to harden overnight before proceeding to next steps.



DRAWING B

Installing With a Fence Post Driver. (If you are installing with a concrete footing go to step 5.)

- 4a** Make a clear mark on the bottom post section showing the depth to which you wish to drive the post (no less than 12 inches).
- 4b** With the front of the post facing in the intended direction, drive the post several inches into the ground using a fence post driver. Check post alignment. Complete driving the post making corrections as necessary to keep the post straight.

5 Locate the hardware supplied and place items with the appropriate components before beginning assembly. See *Figure 1*. Attach the top post section by overlapping four holes and install bolts in the top and bottom overlapping holes. All bolts should be installed from the front side and secured with nuts from the back side.

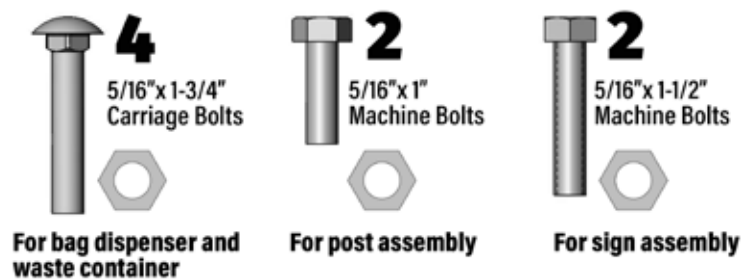
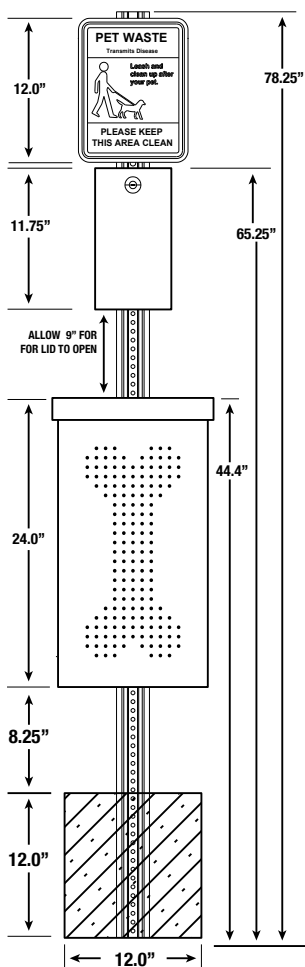


FIGURE 1

6 Attach components to pole starting with the sign located at the top, and work down from there. Place sign at the highest location possible, followed by the bag dispenser and waste container. Make sure you leave 9 inches or more above the waste container to allow the lid to open fully.



DRAWING C