



DERO
A PLAYCORE Company



Patent Pending

Air Kit™ Prime

The Air Kit Prime features upgraded high-wear parts made from anodized aluminum and stainless steel and our durable Dero Metal Head™ that accommodates both Presta and Schrader valves. Galvanized protective plates keep the pump finish attractive and prevent scratches when the pump head is not in use. All internal components are available separately and are easy to service.

The Air Kit Prime is available as a stand-alone pump, or can mount to our Fixit bike repair stands.

Air Kit™ Prime



Durable rubber hand grips

Gasket rating -30° to 110° F

25" Reinforced air hose

Aluminum pump head accepts schrader and presta valves



Tamper-resistant fasteners included!

Air Kits require occasional maintenance and replacing of parts to remain serviceable. An extra gasket kit for the pump head is included with each unit shipped.

The Air Kit Prime includes Dero's aluminum Metal Head™ pump head.



Mount directly to a Fixit for a complete bike repair station



Accessorize with a Pump Stop to hold bikes in place

FINISH OPTIONS

Galvanized



Stainless



Powder Coat



White



Black



Light Gray
RAL 7042



Deep Red
RAL 3003



Yellow
RAL 1023



CNH Bright
Yellow



Orange
RAL 2004



Beige
RAL 1001



Iron Gray
RAL 7011



Hunter Green
RAL 6005



Light Green
RAL 6018



Green
RAL 6016



Sepia Brown
RAL 8014



Bronze



Silver
RAL 9007



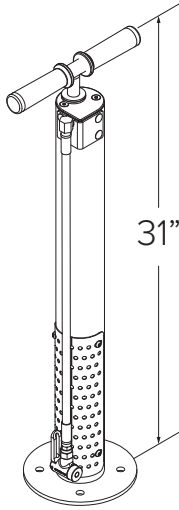
Dark Purple



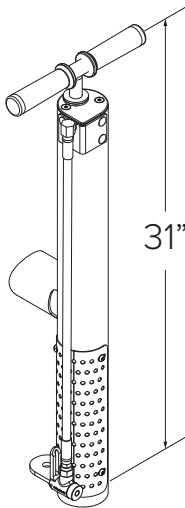
Flat Black



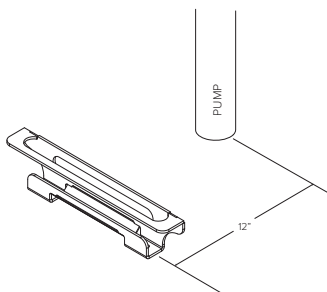
Wine Red
RAL 3005



Surface Mount



Fixit Mount



An optional wheel catch is available to hold bikes with no kick stands

MATERIALS

Main Body: 3" x 1/8" steel tube
Manual air pump: Dero made, max 100psi
Foot: 1/4" steel

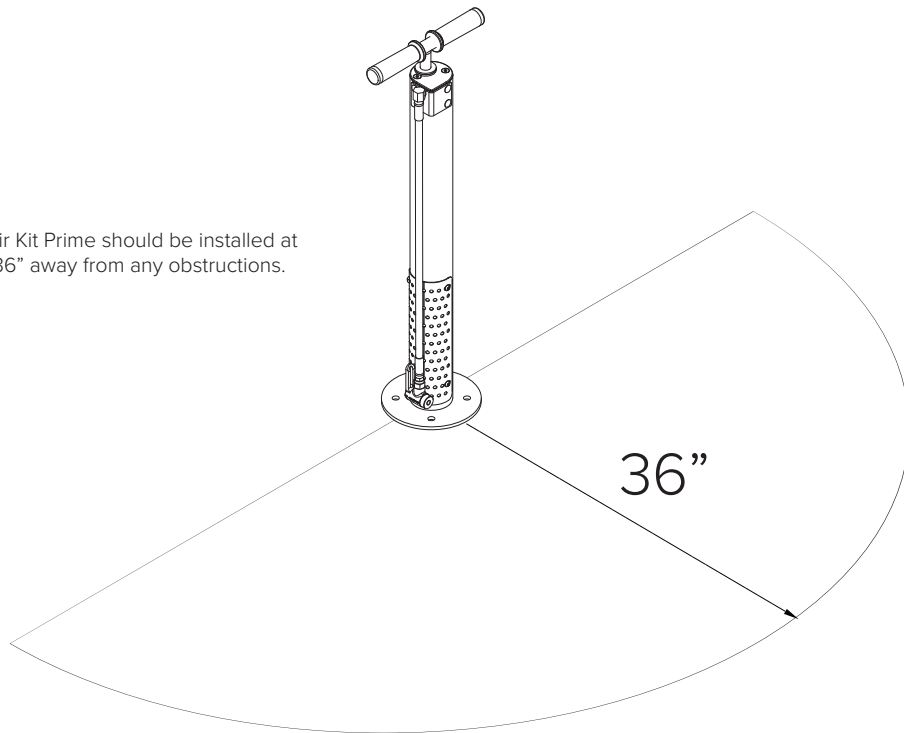
FINISHES

- Galvanized**
An after fabrication hot dipped galvanized finish is our standard option.
- Powder Coat**
Our powder coat finish assures a high level of adhesion and durability by following these steps:
 1. Sandblast
 2. Epoxy primer electrostatically applied
 3. Final thick TGIC polyester powder coat
- Stainless**
Stainless Steel: 304 grade stainless steel material finished in either a high polished shine or a satin finish.

MOUNT OPTIONS

- Surface**
Surface Mount has 7" diameter x .25" flange with four anchoring holes for mounting with standard wedge anchors. Tamper-resistant fasteners are included.
- Fixit**
Fixit Mount attaches to side of Fixit bike repair station

The Air Kit Prime should be installed at least 36" away from any obstructions.

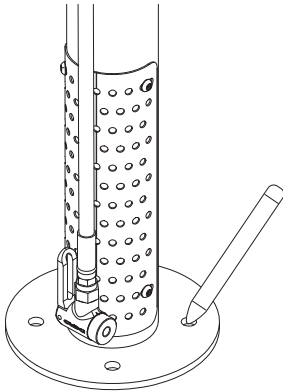



TOOLS NEEDED

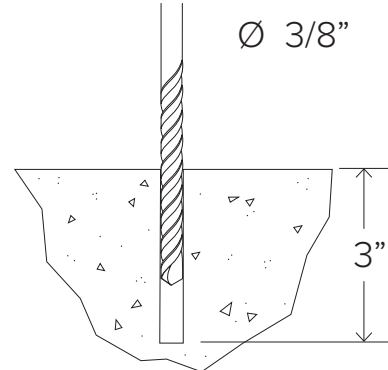
Marker or Pencil
 Masonry Drill Bit 3/8"
 Drill (Hammer drill recommended)
 Hammer
 Wrench 9/16"
 Level

RECOMMENDED BASE MATERIAL

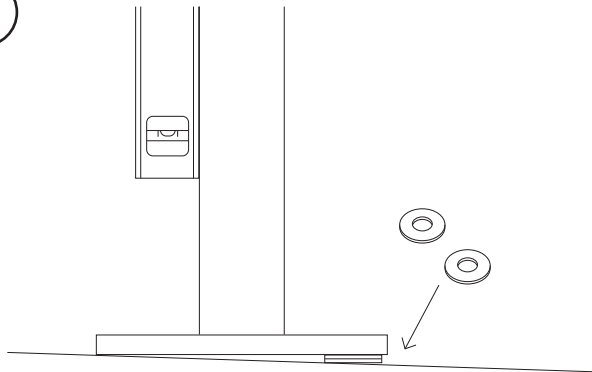
Solid concrete is the best base material for installation. To ensure the proper anchors are shipped with your Air Kit, ask your Dero representative which anchor is appropriate for your application. Be sure nothing is underneath the base material that could be damaged by drilling.

1


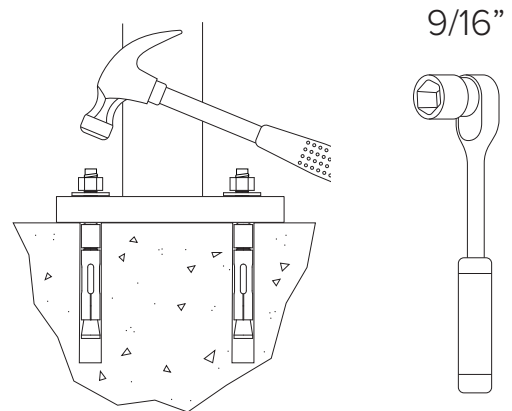
Place the Air Kit Prime in the desired location. Use a marker or pencil to outline the holes of the flange onto the base material.

2


Drill 3/8" diameter holes 3" deep into surface. Make sure the holes are at least 3" away from any cracks in the base material.

3


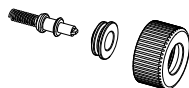
Use washers to level pump if necessary.

4


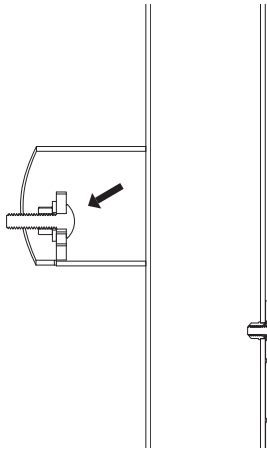
Thread nuts onto anchors, leaving approximately 1/4" of the anchor protruding, and tap into surface. **Place the 2 provided tamper-proof penta nuts on opposite sides.** Tighten nuts down to secure pump.



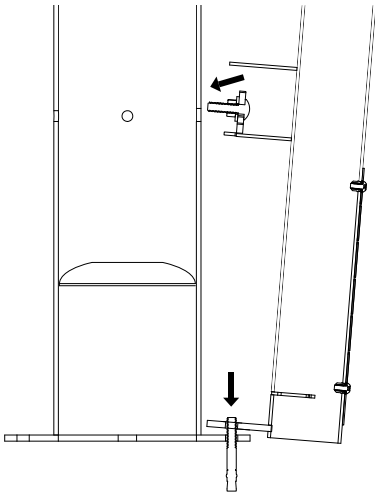
Be sure to save your tamper-resistant tools for any future maintenance. They are costly to replace.



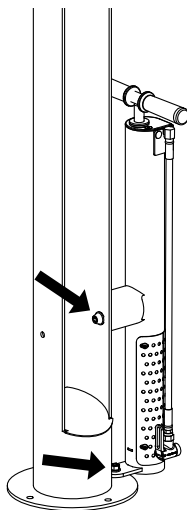
Because public pumps require occasional maintenance, a spare pump head gasket kit is included with each unit shipped. Save this kit for future use.

1

Firmly attach the carriage bolt to the pump with the nut and washer.

2

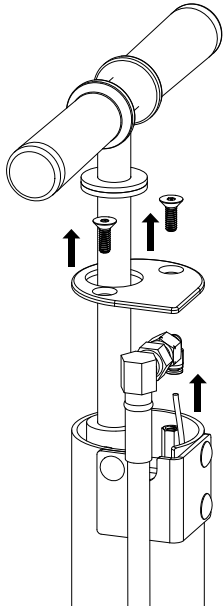
If attaching to a previously installed Fixit, remove the nut and washer on the wedge anchor on the side of the Fixit to receive the pump. Place the pump lower flange hole over the wedge anchor, and slot the previously attached carriage bolt through the hole on the side of the Fixit.

3

Loosely secure the carriage bolt with a rubber-backed washer and tamper-proof nut in the inside of the Fixit.

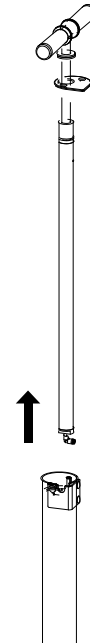
Use the wedge anchor washer and nut to secure the pump flange and then tighten the tamper-proof nut inside the Fixit.

1



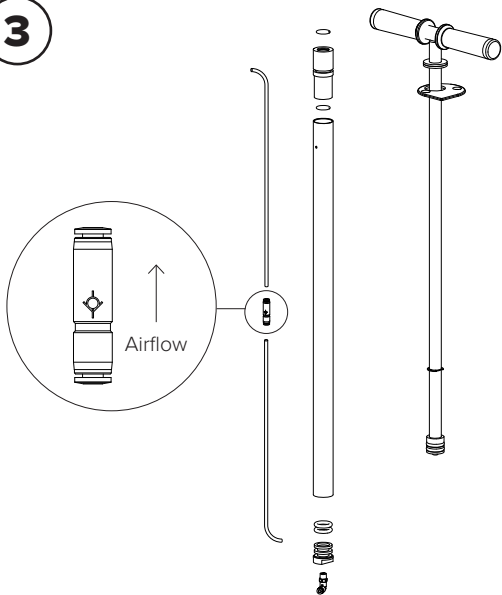
Remove the two tamper-proof screws at the top of the pump and lift the cap. Then disconnect the air line via the push-to-connect fitting at the top of the hose.

2



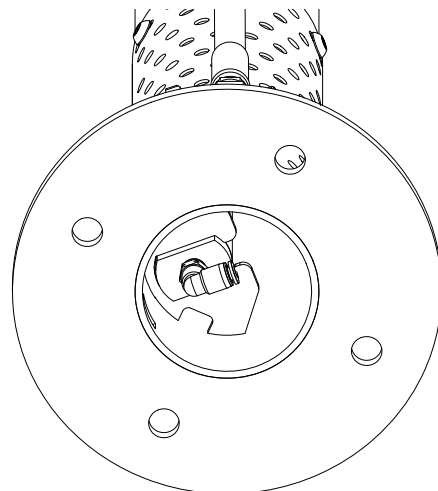
Slide the pump sideways out of the main body slot and then lift the whole pump and air lines out of the main body.

3



The pump can now be taken apart without tools for servicing.

4



It may be necessary to gain access to the bottom of the main body to align the pump when re-assembling.

Remove Metal Head™ by turning counter-clockwise.
You will need a 3/4" wrench. Replace with new
Metal Head and tighten.

