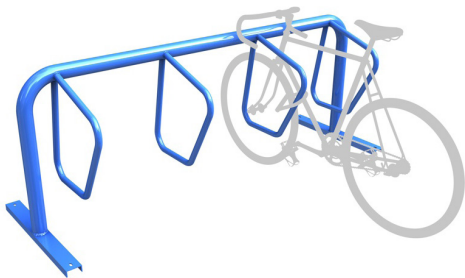




DERO
A PLAYCORE Company

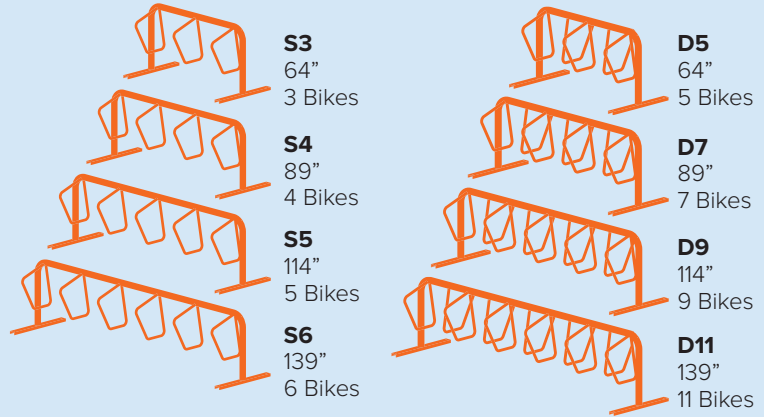


Campus Rack

The design of the Campus Rack supports the frame of the bike while keeping the fork from twisting. The result is convenient, orderly bike parking. The single sided model is ideal for sidewalk placement, while the double sided model staggers bikes opposite from each other for greater space efficiency. 25" spacing between arms allows adequate access and minimizes handle bar conflict. The Campus Rack will also accommodate scooters.

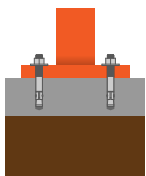
Just your size.

The Campus Rack is available in a variety of configurations to meet your bike parking capacity needs.



MOUNT OPTIONS

Surface



Tamper-resistant fasteners available upon request

In-Ground



FINISH OPTIONS

Galvanized

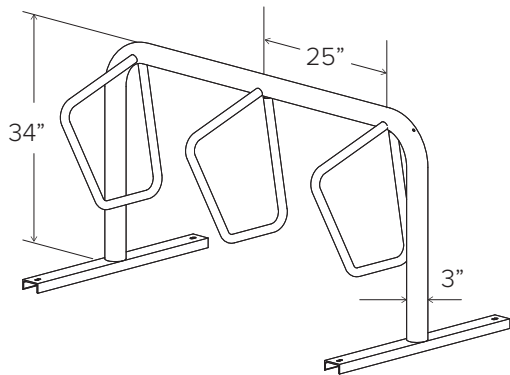


Stainless



Powder Coat



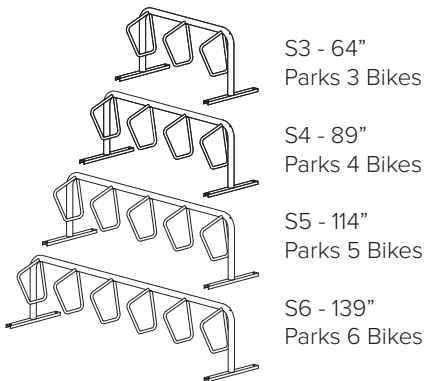


CAPACITY 3-11 Bikes

MATERIALS **Centerbeam:** 3" OD 7 gauge tube
Arms: 1.25" OD 11 gauge tube
 All welds to be continuous MIG welds

- FINISHES**
- Galvanized**
An after fabrication hot dipped galvanized finish is our standard option.
 - Powder Coat**
Our powder coat finish assures a high level of adhesion and durability by following these steps:
 1. Sandblast
 2. Epoxy primer electrostatically applied
 3. Final thick TGIC polyester powder coat
 - Stainless**
Stainless Steel: 304 grade stainless steel material finished in either a high polished shine or a satin finish.
-

- MOUNT OPTIONS**
- Surface**
Foot Mount has 34" x 3" channel feet and can be left freestanding or anchored to the ground. Tamper-resistant fasteners available upon request.
 - In-Ground**
In-ground mount is embedded into concrete base. Specify in-ground mount for this option

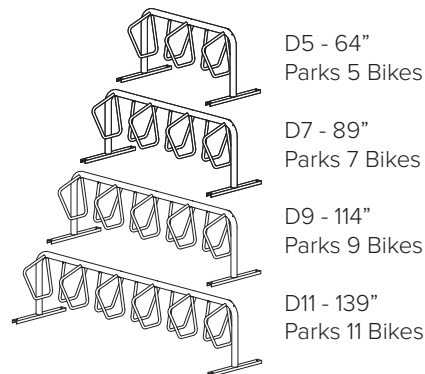


S3 - 64"
Parks 3 Bikes

S4 - 89"
Parks 4 Bikes

S5 - 114"
Parks 5 Bikes

S6 - 139"
Parks 6 Bikes



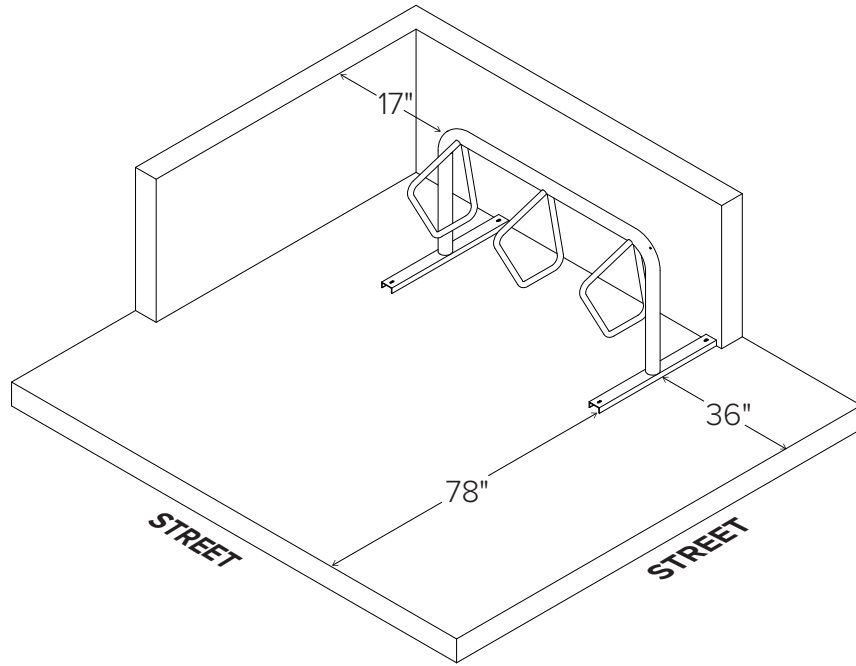
D5 - 64"
Parks 5 Bikes

D7 - 89"
Parks 7 Bikes

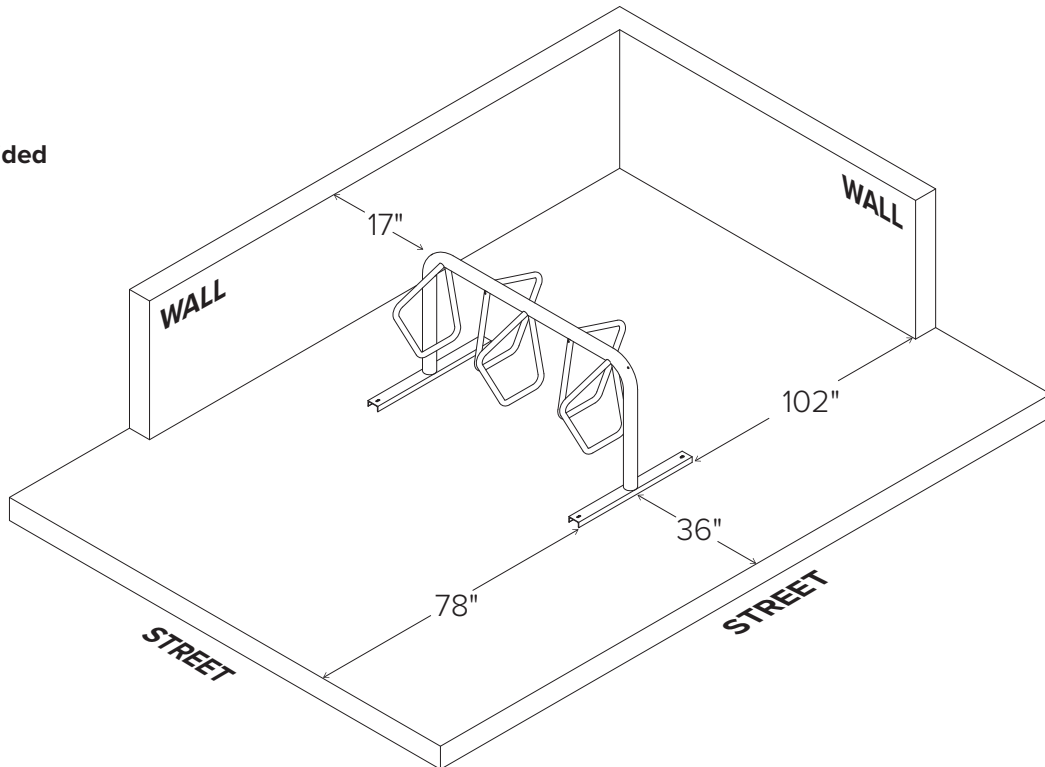
D9 - 114"
Parks 9 Bikes

D11 - 139"
Parks 11 Bikes

Single Sided



Double Sided





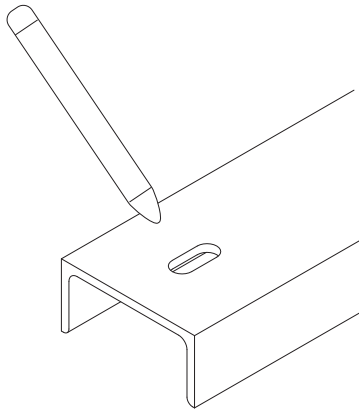
TOOLS NEEDED

- Tape Measure
- Marker or Pencil
- Masonry Drill Bit 3/8"
- Drill (Hammer drill recommended)
- Hammer
- Wrench 9/16"
- Level

RECOMMENDED BASE MATERIAL

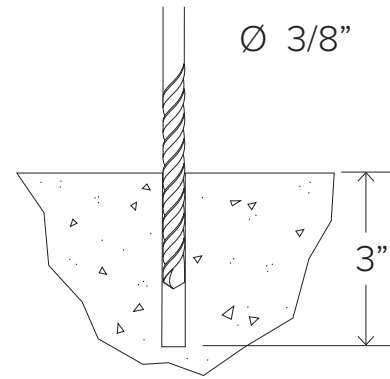
For freestanding units, nearly any level surface is acceptable and no anchoring is necessary. For anchored units a concrete base is best.

1



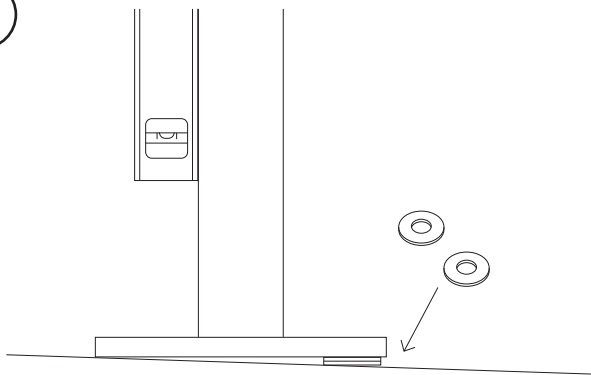
Place the rack in the desired location. Use a marker or pencil to outline the holes of the flange onto the base material.

2



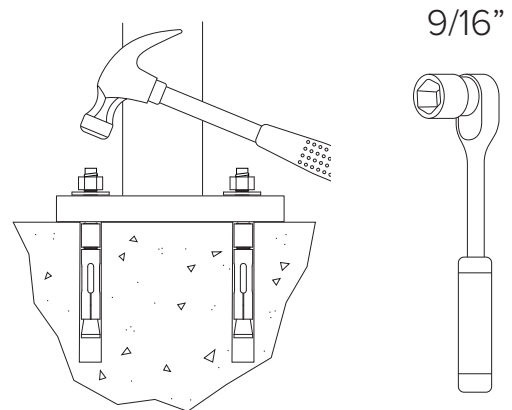
Drill 3/8" diameter holes 3" deep into surface. Make sure the holes are at least 3" away from any cracks in the base material.

3



Place rack over holes, using washers to level the rack if necessary.

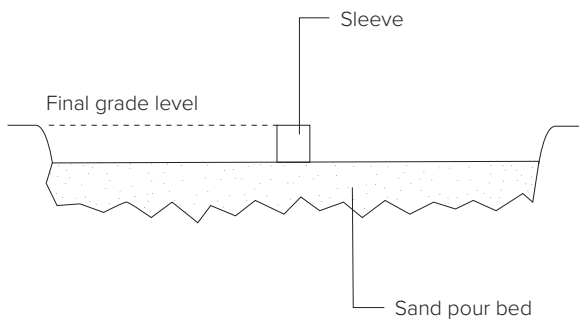
4



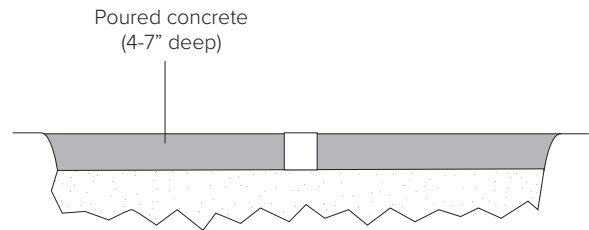
Thread nuts onto anchors, leaving approximately 1/4" of the anchor protruding, and tap into surface. Tighten nuts down to secure rack.


TOOLS NEEDED

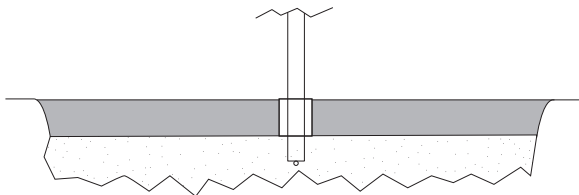
- | | |
|-------------------|--|
| Level | Trowel |
| Cement mixing tub | Corrosion-Resistant Sleeve (min. 4" diameter) |
| Shovel | Materials to build brace (see "Install Tip" at bottom of page) |

1


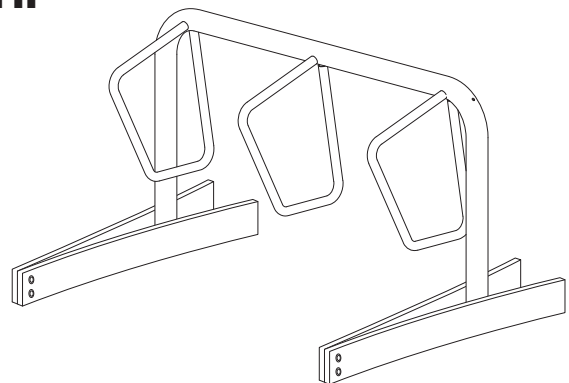
Place corrosion resistant sleeve (min. 4" inside diameter) in sand pour bed in exact location where rack will be installed. Make sure top of sleeve is at same level as desired finished concrete surface. Fill sleeve with sand to keep it in place and prevent it from filling with concrete.

2


Pour concrete and allow to cure.

3


After appropriate cure time, dig out sand from sleeves and insert racks, making sure they are level and at the appropriate height. Pour in Super Por-Rok or epoxy grout and allow to set.

TIP


An easy way to brace the Campus Rack while the grout sets is to bolt two 1x4" boards together at one end and clamp them onto the legs of the rack like a clothes pin.

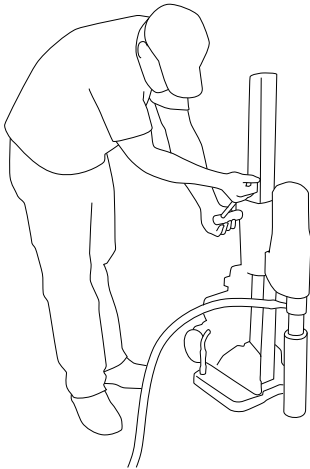


TOOLS NEEDED

Level
 Cement mixing tub
 Shovel
 Access to water hose

Trowel
 Hole coring machine with 5" bit
 Materials to build brace (see "Install Tip" at bottom of page)

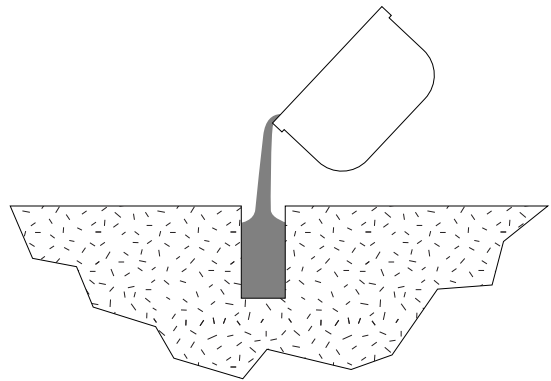
1



Ø 5" min.
 ↓ 10" min.

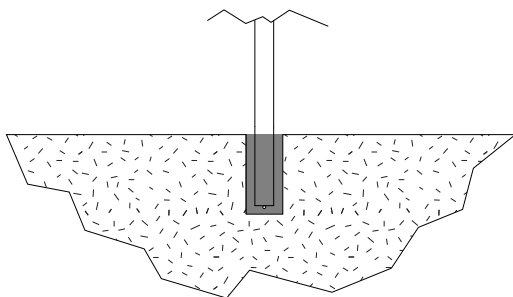
Core holes no less than 4" diameter (5" recommended) and no less than 10" deep into sidewalk.

2



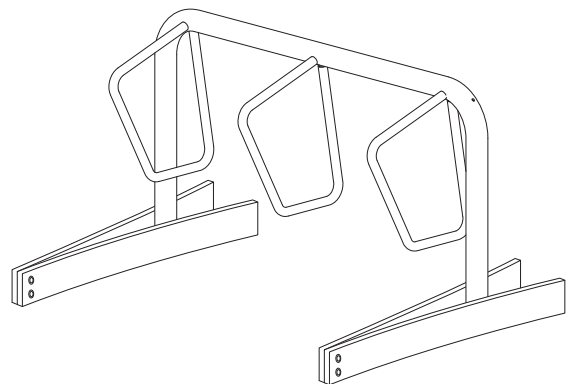
Fill holes with Super Por-Rok or epoxy grout.

3



Place rack into holes, making sure the rack is level until the grout has set.

TIP



An easy way to brace the Campus Rack while the grout sets is to bolt two 1x4" boards together at one end and clamp them onto the legs of the rack like a clothes pin.