



DERO
A PLAYCORE Company



Dero **Parklet**



The Dero Parklet is an innovative way to build public gathering spaces right in the heart of the urban streetscape. Local businesses with limited sidewalk space now have the unique ability to extend their atmosphere and aesthetic to the outdoors. The Dero Parklet's modular design allows each space to be built to suit any vision. With a galvanized steel frame and recycled fiber composite decking, this little urban oasis has the durability to last through all seasons.

Dero Parklet



The Parklet's modular, bolt-together design means it ships and stores flat.

Sturdy, steel railings separate users from traffic

Meets most deck building codes.



Threshold closes gap to curb

Durable all-weather decking

Leveling feet under platform keep the Parklet level with the curb for greater accessibility and safety while allowing water to drain freely.



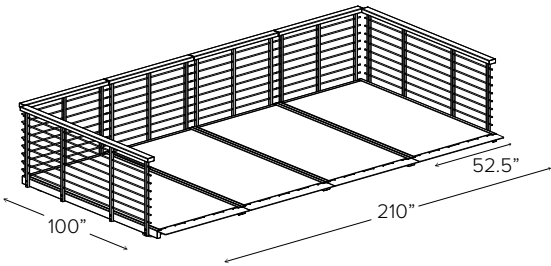
FINISH OPTIONS

Galvanized
(Base Frame and Railings)



Powder Coat over Galvanized
(Railings)

- | | | | | |
|---|--|---|---|--|
|  White |  Black |  Light Gray
RAL 7042 |  Deep Red
RAL 3003 |  Yellow
RAL 1023 |
|  CNH Bright Yellow |  Orange
RAL 2004 |  Beige
RAL 1001 |  Iron Gray
RAL 7011 |  Hunter Green
RAL 6005 |
|  Light Green
RAL 6018 |  Green
RAL 6016 |  Sepia Brown
RAL 8014 |  Blue
RAL 5005 |  Sky Blue
RAL 5015 |
|  Dark Purple |  Flat Black |  Wine Red
RAL 3005 |  Bronze |  Silver
RAL 9007 |



(Configuration above is 1 starter + 3 add-on sections)

MATERIALS

Main Frame: 4" x 2" x 11g rectangle tube

Deck Panel: 4' x 8' x 1/2" Richlite R50

Railing Upright: 1.5" x 11g square tube

Railing Horizontals: 1/2" steel round bar

Hand Railing: 4" x 2" x 11g rectangle tube

FINISHES

Galvanized (Base Frame)

An after fabrication hot dipped galvanized finish is our standard option.


Powder Coat over Galvanized (Railings)

Our powder coat finish assures a high level of adhesion and durability by following these steps:

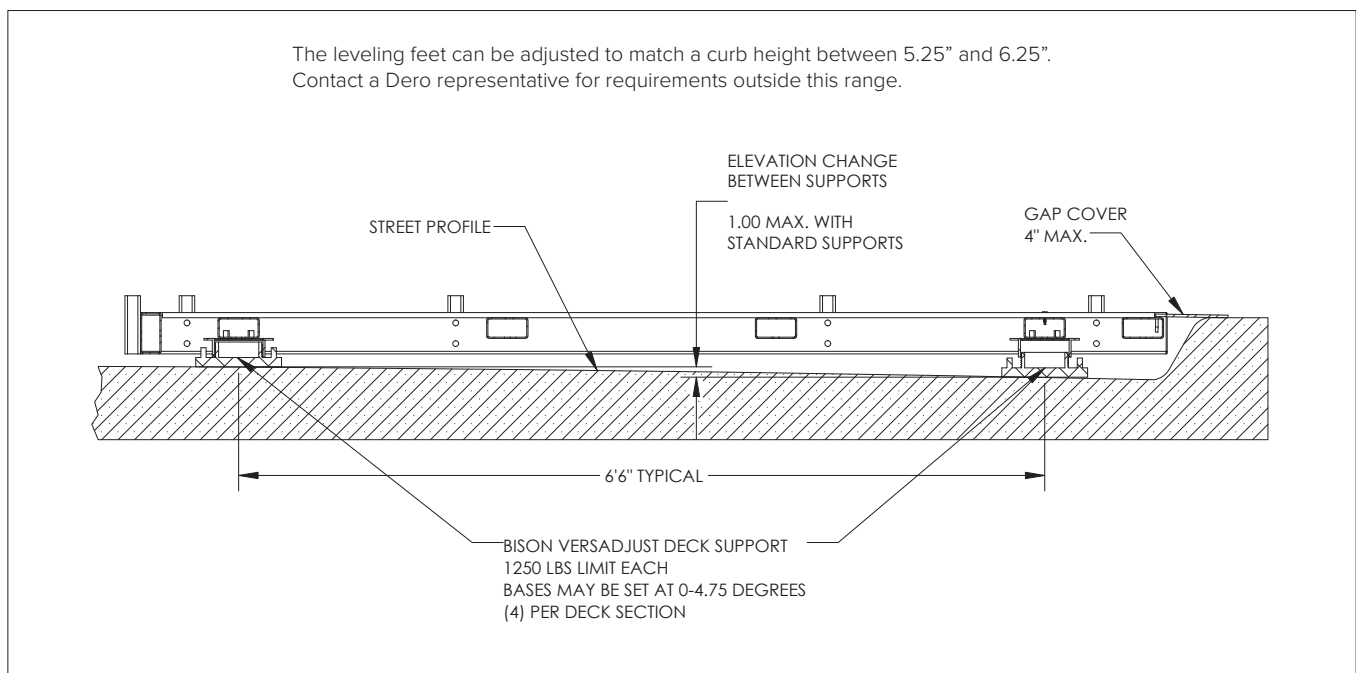
1. Sandblast
2. Epoxy primer electrostatically applied
3. Final thick TGIC polyester powder coat

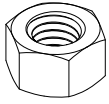
MOUNT OPTIONS
Surface Only

The Dero Parklet rests on the installation surface. No drilling is required. It is the responsibility of the installer to ensure that all base materials onto which the Dero Parklet will be installed can support the unit and will not be damaged by any required installation procedures.

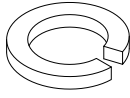
LOAD DATA

125 PSF for a total of 4,000 lbs./section

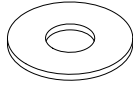




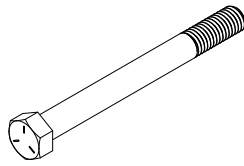
NUT .50



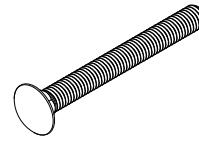
LOCK WASHER .50



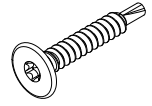
WASHER .50



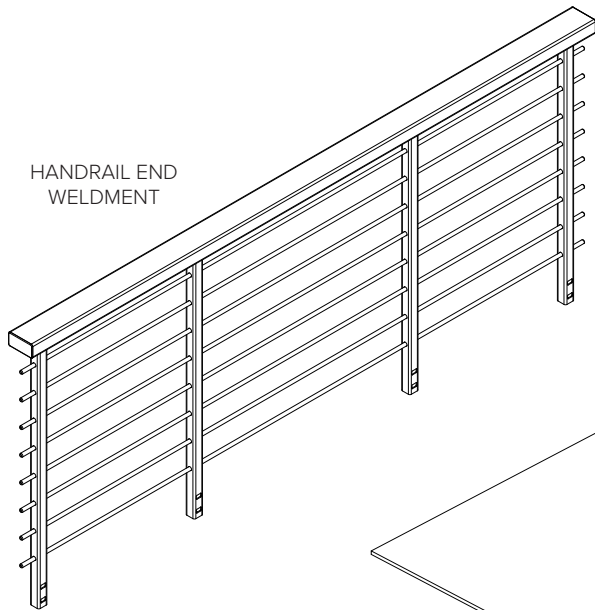
BOLT .50 X 5.00



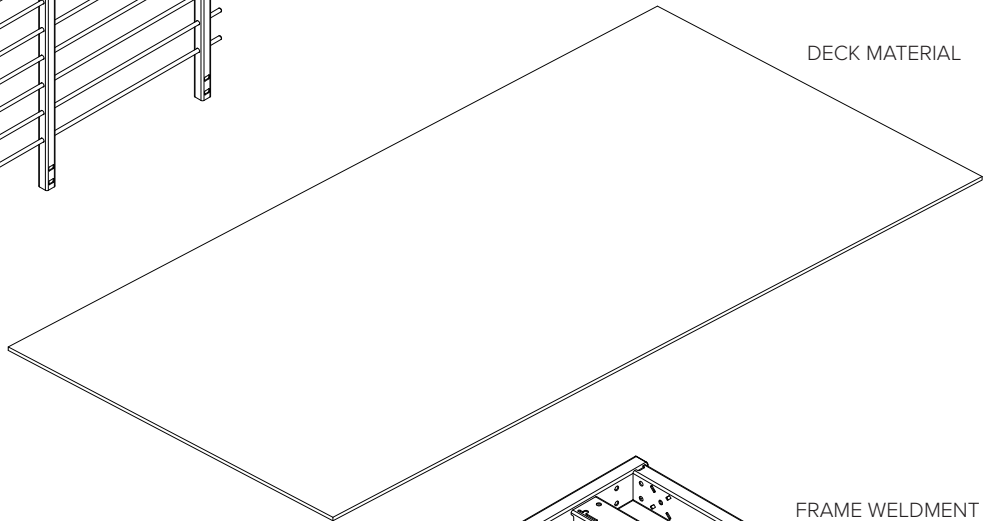
CARRIAGE BOLT .50 X 4.50



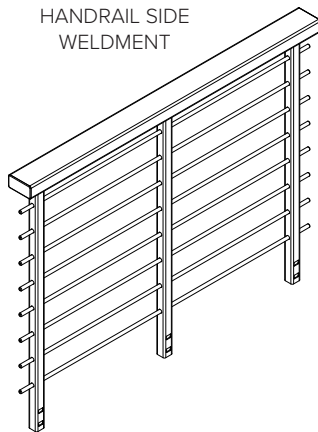
SELF DRILLING SCREW
10 X 1.25



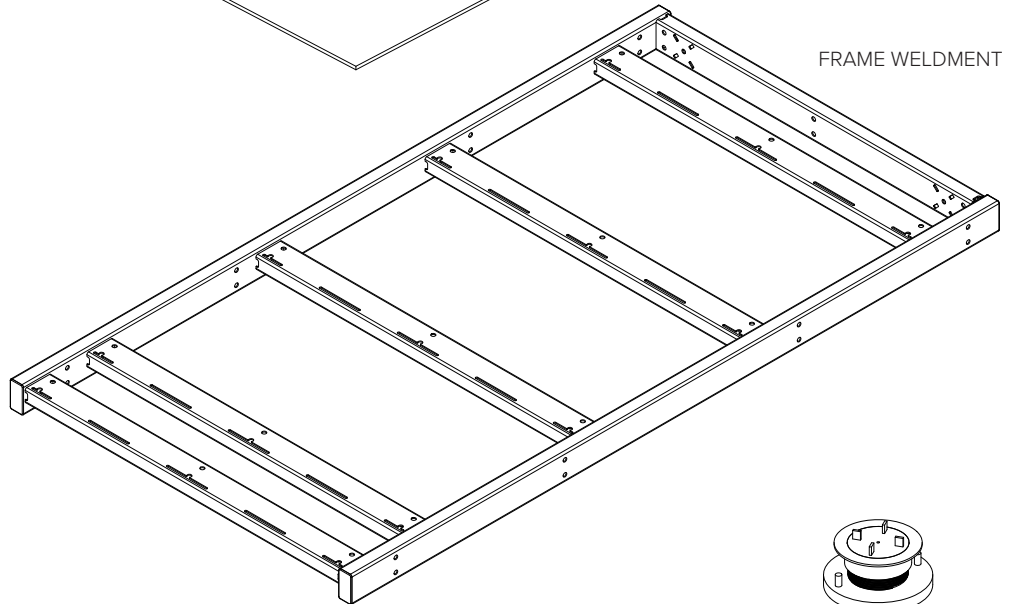
HANDRAIL END
WELDMENT



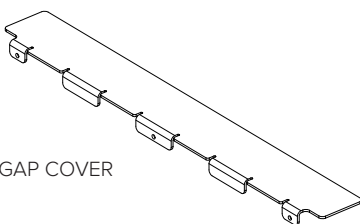
DECK MATERIAL



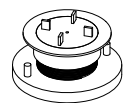
HANDRAIL SIDE
WELDMENT



FRAME WELDMENT



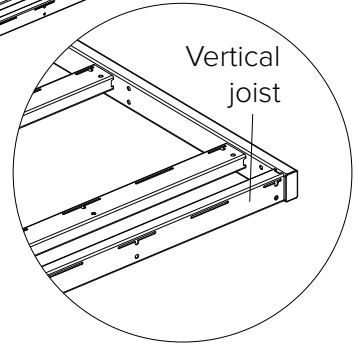
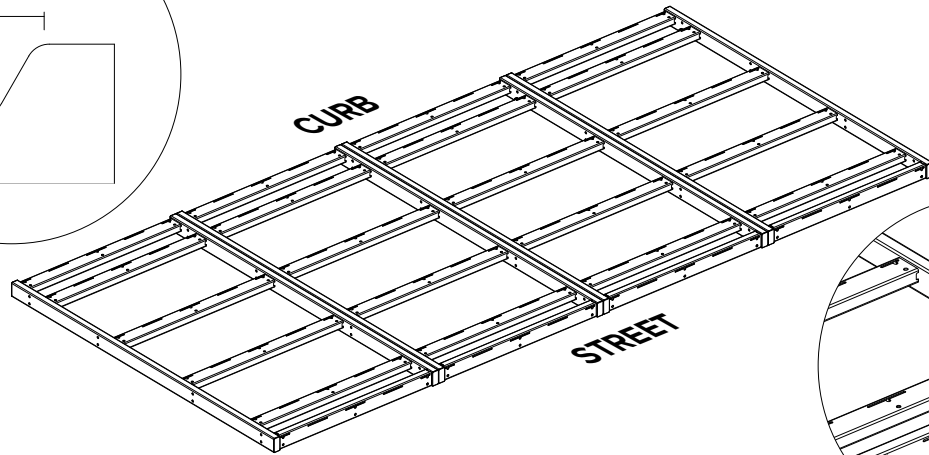
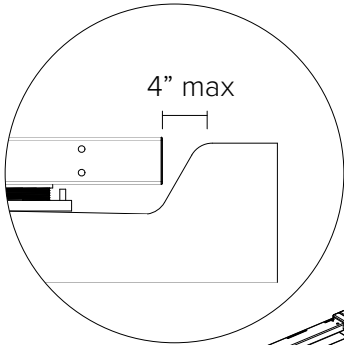
GAP COVER



BISON DECK LEVELER

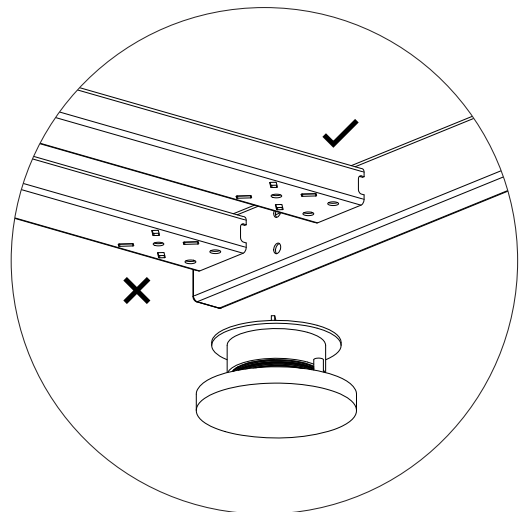
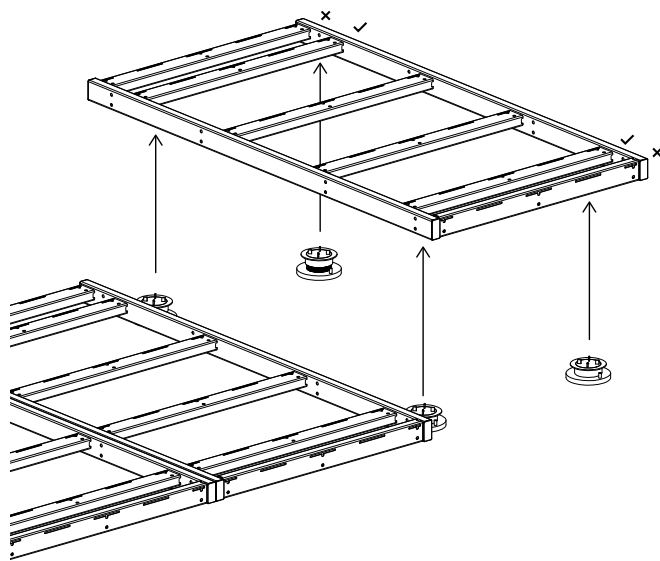
1

Layout frame sections where the Parklet is to be installed. Note the vertically oriented joist will face towards the street. The frame section should not be more than 4" from the curb top.



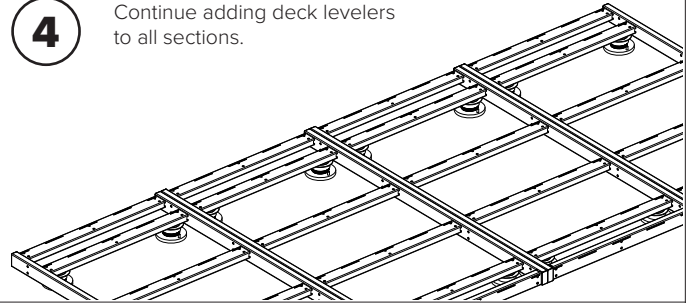
2

Lift one frame section at a time (just a few inches) and place (4) Bison deck levelers under the frame section. The tabs on the deck leveler will engage the cutouts on the bottom of the joists.

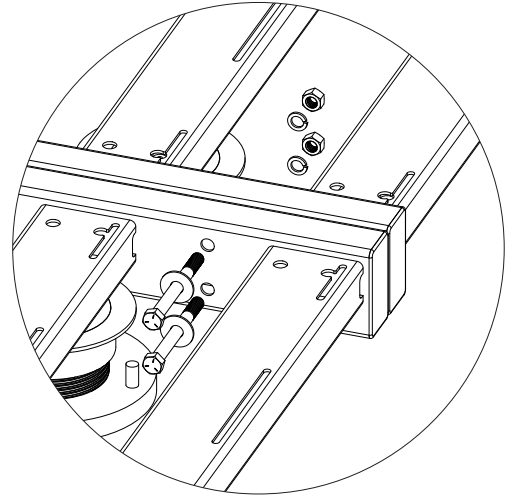
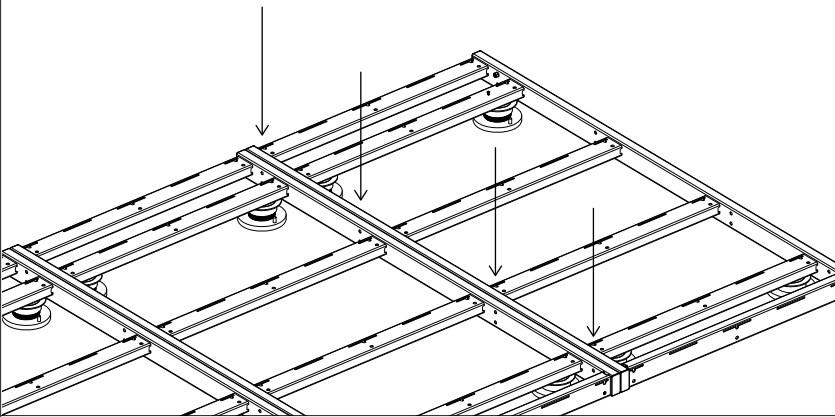


3 Once the frame section is resting on all (4) deck levelers, the levelers may be lengthened or shortened via the screw feature built into the leveler. The levelers on the street side should be as short as possible. The levelers on the curb side will then be lengthened to raise the frame section to level. All levelers should be bearing weight and not loose.

4 Continue adding deck levelers to all sections.

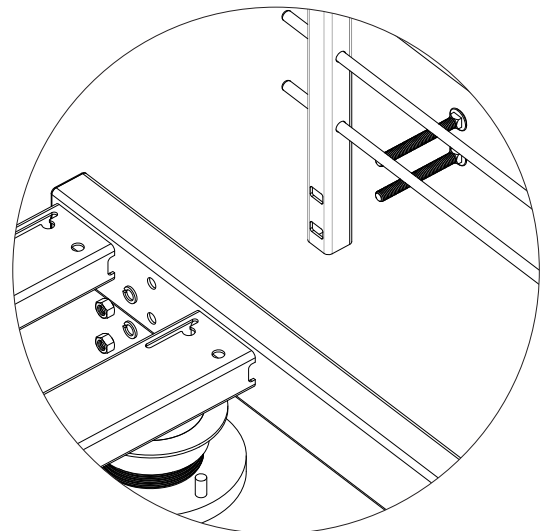
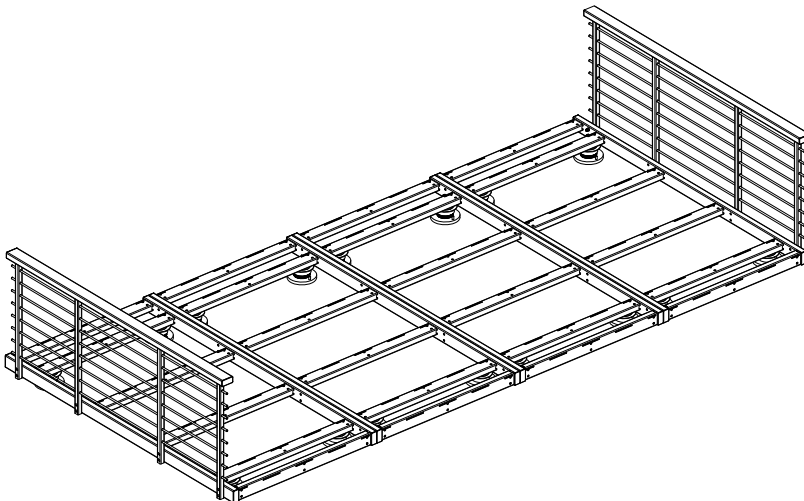


5 Bolt frame sections together with 1/2" x 5" bolts, flat washers, lock washers, and nuts. Each connection uses (8) sets of hardware.

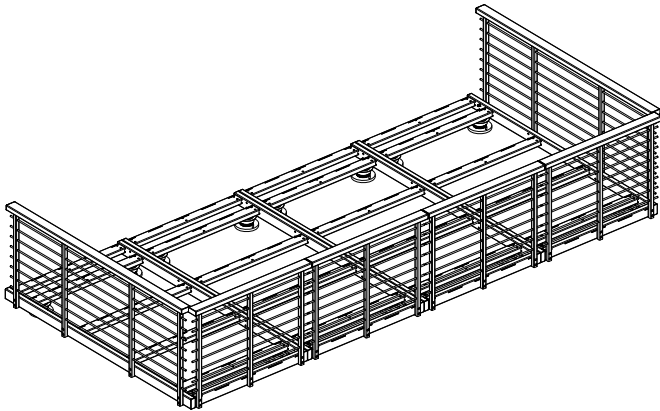


6 After all frame sections are bolted together, re-adjust deck levers so that the whole deck assembly is level and all deck levelers are bearing weight.

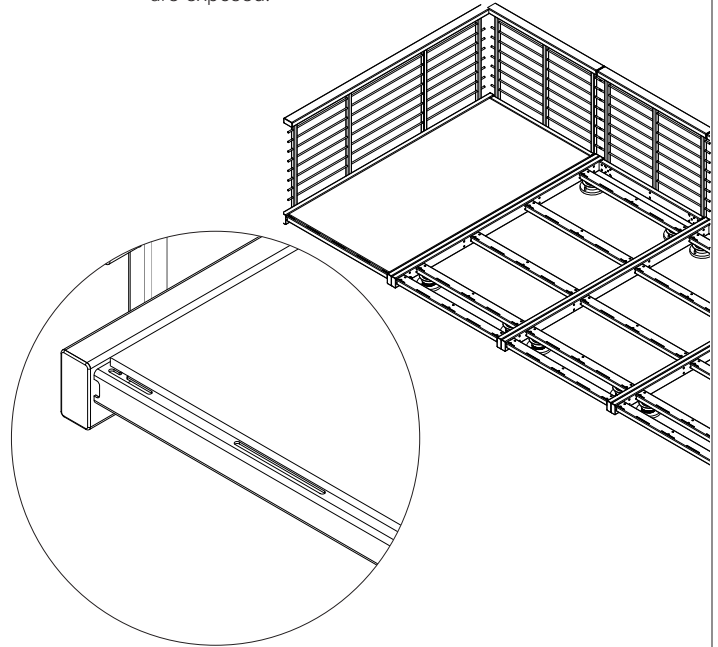
7 Bolt the end handrails to the frame sections with 1/2" x 4.5" carriage bolts, lock washers, and nuts. Each connection uses (8) sets of hardware (some custom sizes may use less). Confirm all 2" x 4" handrail tubes have plastic end caps before installing handrails.



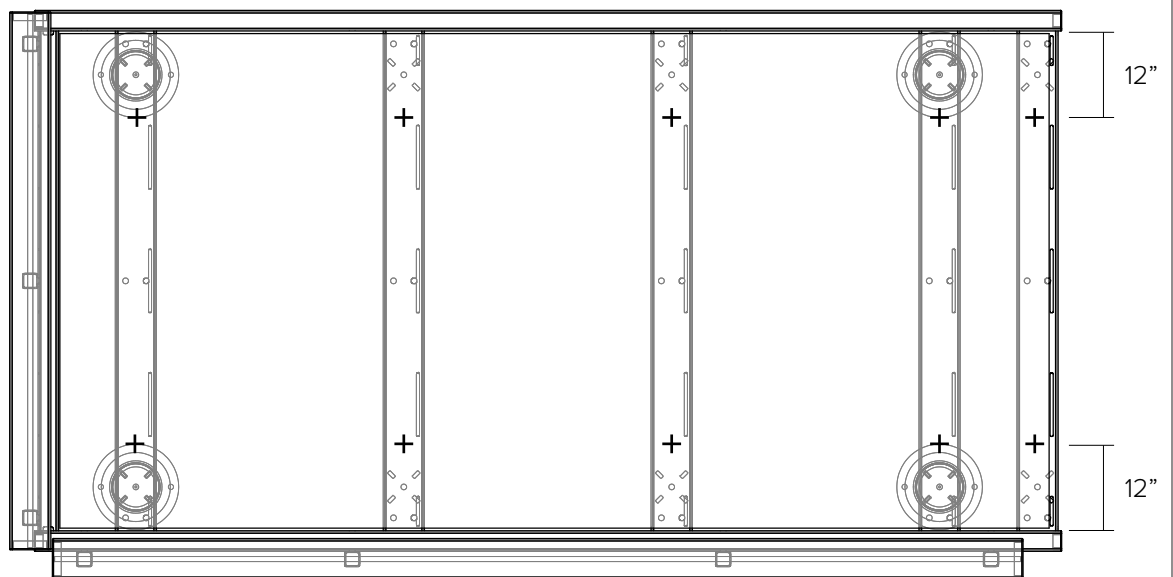
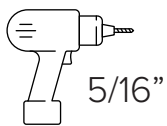
8 Repeat the previous step for the side handrails.



9 Place the 4' x 8' x 1/2" deck material so that it is centered in the frame section and pushed back toward the street side. Confirm joist slots near the curb side are exposed.

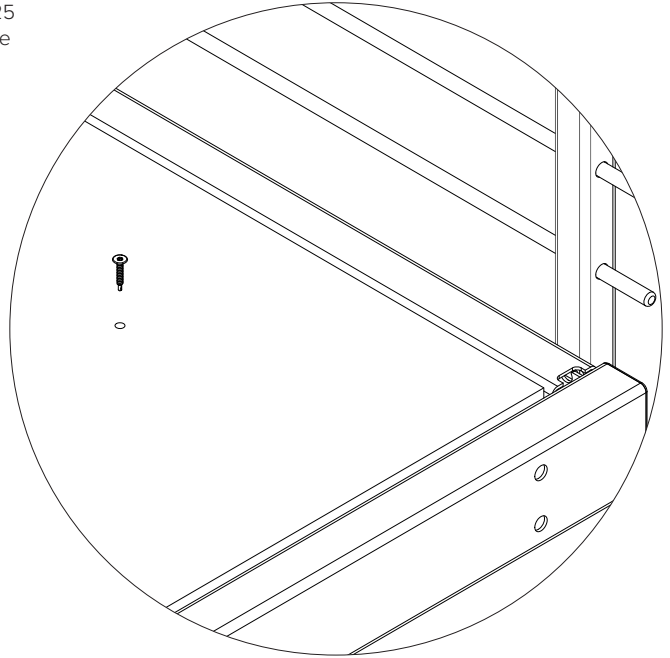
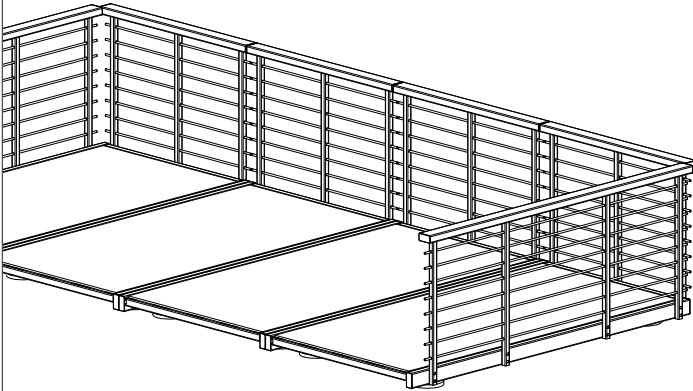


10 Note where the joists are under the deck and make (2) marks at every joist, each 12" in from the side. Drill a 5/16" hole almost all the way through the 1/2" deck material in all (10) locations.



11

Secure deck material with (10) #10 x 1.25" self-drilling screws. A T25 Torx driver is required. Do not overtighten the screw and break the head off. Repeat for remaining deck sections.

**12**

Set the gap cover tabs in the joist slots nearest the curb. The gap cover should span the gap between the Parklet and curb.

