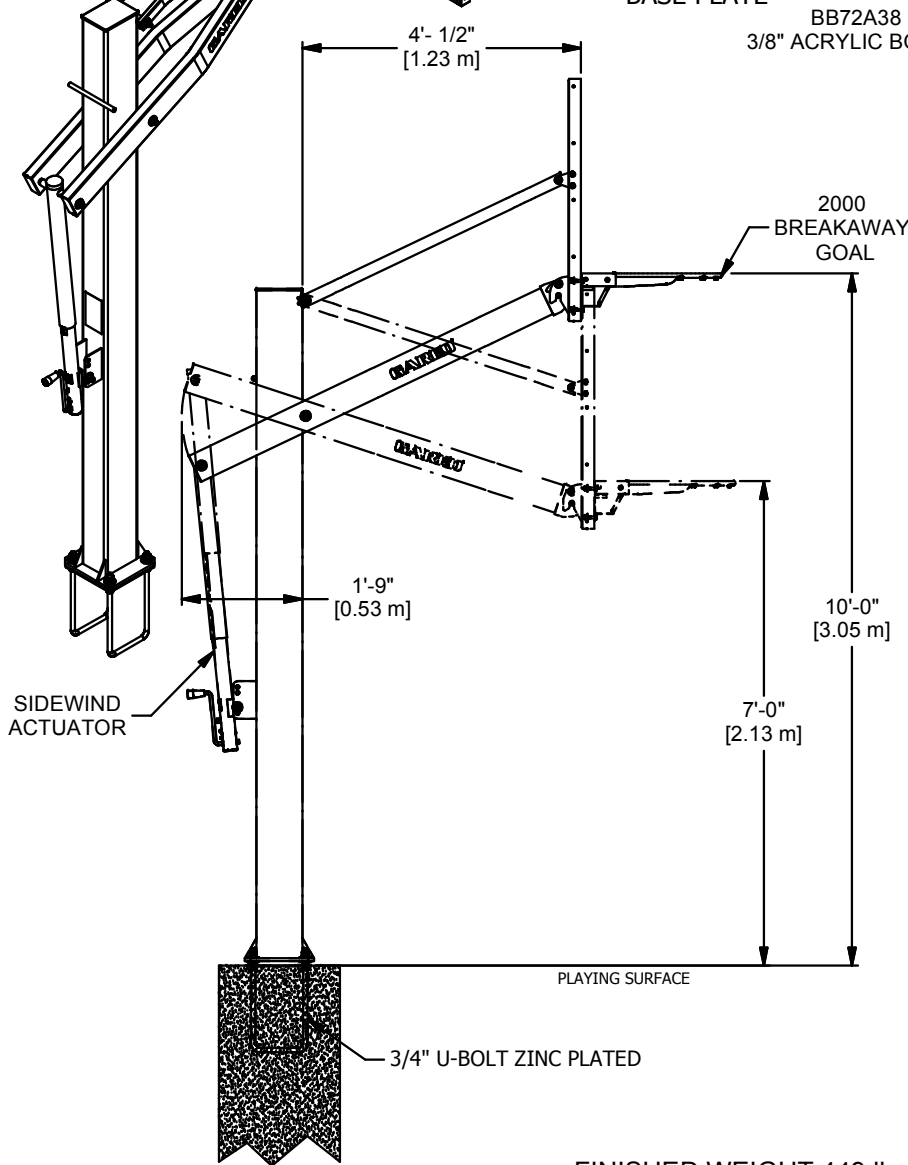
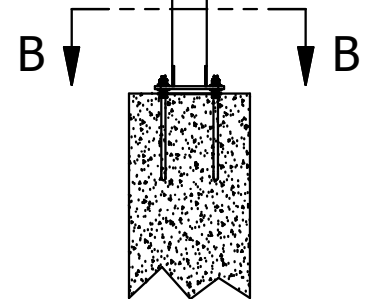
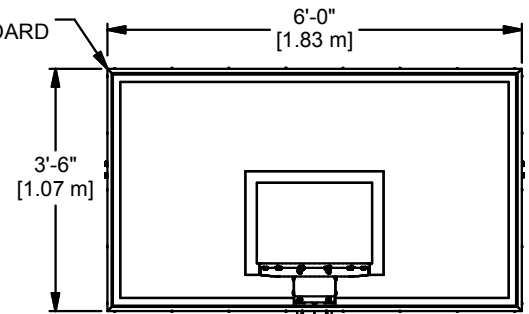


SECTION B-B
BASE PLATE

- HEIGHT ADJUSTABLE BETWEEN 7'-0" AND 10'-0".
- 6" X 8" RECTANGULAR STEEL POST WITH 3/16" WALL THICKNESS FOR SUPERIOR STRENGTH AND DURABILITY.
- POST IS FINISHED IN BLACK POWDER COAT.
- 42" X 72" ACRYLIC BACKBOARD PROVIDED WITH HEAVY DUTY BREAKAWAY GOAL WITH NYLON NET FOR ANY LEVEL OF COMPETITIVE PLAY.
- BOLT TO GROUND DESIGN FOR EASY INSTALLATION.



BB72A38
3/8" ACRYLIC BOARD



FINISHED WEIGHT 449 lbs [204 Kg]

A	WDC	05-04-20
REV	BY	DATE



Gared Holdings, LLC
9200 E. 146th St. Noblesville, IN 46060

THIS DOCUMENT CONTAINS TRADE SECRET AND OTHER MATERIALS WHICH ARE PROTECTED BY CONFIDENTIALITY NOTICE AND AGREEMENT AND BY COPYRIGHT. ANY USE OR COPYING OF THIS DOCUMENT EXCEPT AS AUTHORIZED BY GARED HOLDINGS, LLC IS STRICTLY PROHIBITED.

ALL-PRO JAM ADJ. BASKETBALL SYS. 72" ACRYLIC

DRAWN	CROSBY	DATE	6/22/2012	DATE ISSUED	6/22/2012
APPROVED		DATE			

FILE LOC. Q:\Inventor Files\Specifications\06_Outdoor Products\

SIZE	SCALE	SHT. NO.	PART NO.	REV
A	NONE	1 OF 2	GP12A72DM-002	A



MODEL GP12A72DM

ALL-PRO JAM ADJUSTABLE BASKETBALL SYSTEM

RECOMMENDED APPLICATION

The All-Pro Jam is designed for applications requiring a durable adjustable basketball system to be used outside, such as a park, playground, or residential setting.

SPECIFICATIONS

POST / EXTENSION ARMS

The GP12G72DM basketball system shall have a 6" x 8" rectangular steel post with 3/16" wall thickness. The unit shall have two extension arms which connect to the post with a large diameter pivot bolt. All arm pivot points shall include tight fit, non-metallic flanged bearings. The main lift arm connects to the backboard with the quick connect bracket attached directly to the goal/board mount and the upper extension arms connect to the welded steel backboard frame. The extension arms shall be comprised of formed steel tubing and shall provide a 4'-0" distance from the backboard to the post at the 10'-0" playing height. The extension arms shall be adjusted by a heavy duty, lockable actuator to enable the backboard and goal to be raised and lowered effortlessly at any height between 7'-0" and 10'-0". The post and extension arms shall be powder coated black to prevent rust. The post shall be surface-mounted with a bolt-to-ground design to allow for easier installation and system transportability.

BACKBOARD

The backboard shall be a Gared model BB72A38 Rectangular Acrylic Backboard. The backboard shall be comprised of 3/8" thick acrylic permanently attached to a steel tubular frame with aluminum extrusions. Overall dimension of the backboard shall be 42" in height and 72" in width. Backboard shall have 20" vertical centers for attaching board to upper extension arms and a direct goal attachment for the lower lift arm. Backboard shall also have 4" and 5" vertical with 5" horizontal mounting holes for attaching rim.

RIM

The rim shall be a Gared model 2000+, Collegiate Breakaway Goal. Rim shall have an official size 18" rim of 5/8" diameter steel with a continuous no-tie net attachment and full wing brace design. The rim shall have 4-5" vertical and 5" horizontal mounting holes for attaching to most backboards. Rim shall have a durable orange powder coat finish and includes a nylon net.

ACCESSORIES

LSCE72 – 72" Recreational Pro-Mold Backboard Padding

PP8WR – Wrap-Around Pole Pad for 8" Square Posts OR

PP8SQF – Fitted Pole Pad for 8" Square Posts

BP8SQ – Base Pole Pad for 8" Surface Mount Posts

Subject to design change and current manufacturing practices.

© Gared Holdings LLC