




**DERO**  
A PLAYCORE Company



## Helix Rack

The Helix Rack is an attractive, double-sided, space efficient bike rack. For a stunning visual effect, several Helix Racks can be placed together to create the illusion of a continuous spiral. The curve and pitch of the Helix also makes it nearly impossible for thieves to cut with a pipe cutter.



 Tamper-resistant fasteners available upon request.

## FINISH OPTIONS

### Galvanized

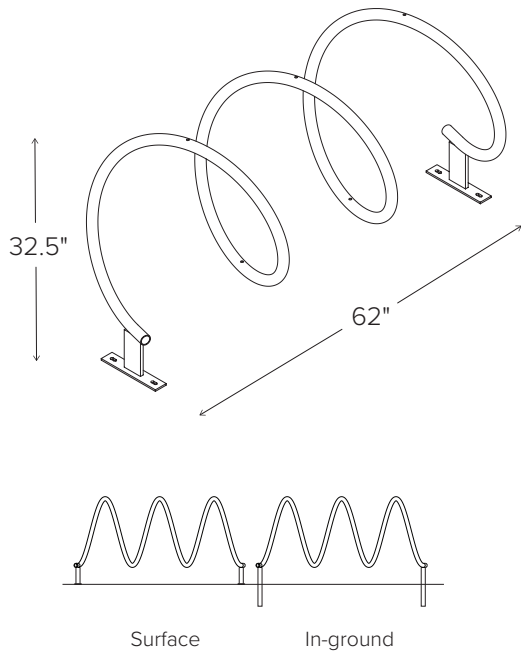


### Stainless



### Powder Coat

- |   |  |  |   |  |
|---|--|--|---|--|
|  White                   |  Black              |  Light Gray<br>RAL 7042  |  Deep Red<br>RAL 3003  |  Yellow<br>RAL 1023       |
|  CNH Bright<br>Yellow    |  Orange<br>RAL 2004 |  Beige<br>RAL 1001       |  Iron Gray<br>RAL 7011 |  Hunter Green<br>RAL 6005 |
|  Light Green<br>RAL 6018 |  Green<br>RAL 6016  |  Sepia Brown<br>RAL 8014 |  Blue<br>RAL 5005      |  Sky Blue<br>RAL 5015     |
|  Dark Purple             |  Flat Black         |  Wine Red<br>RAL 3005    |  Bronze                |  Silver<br>RAL 9007       |



---

**CAPACITY** 6 Bikes

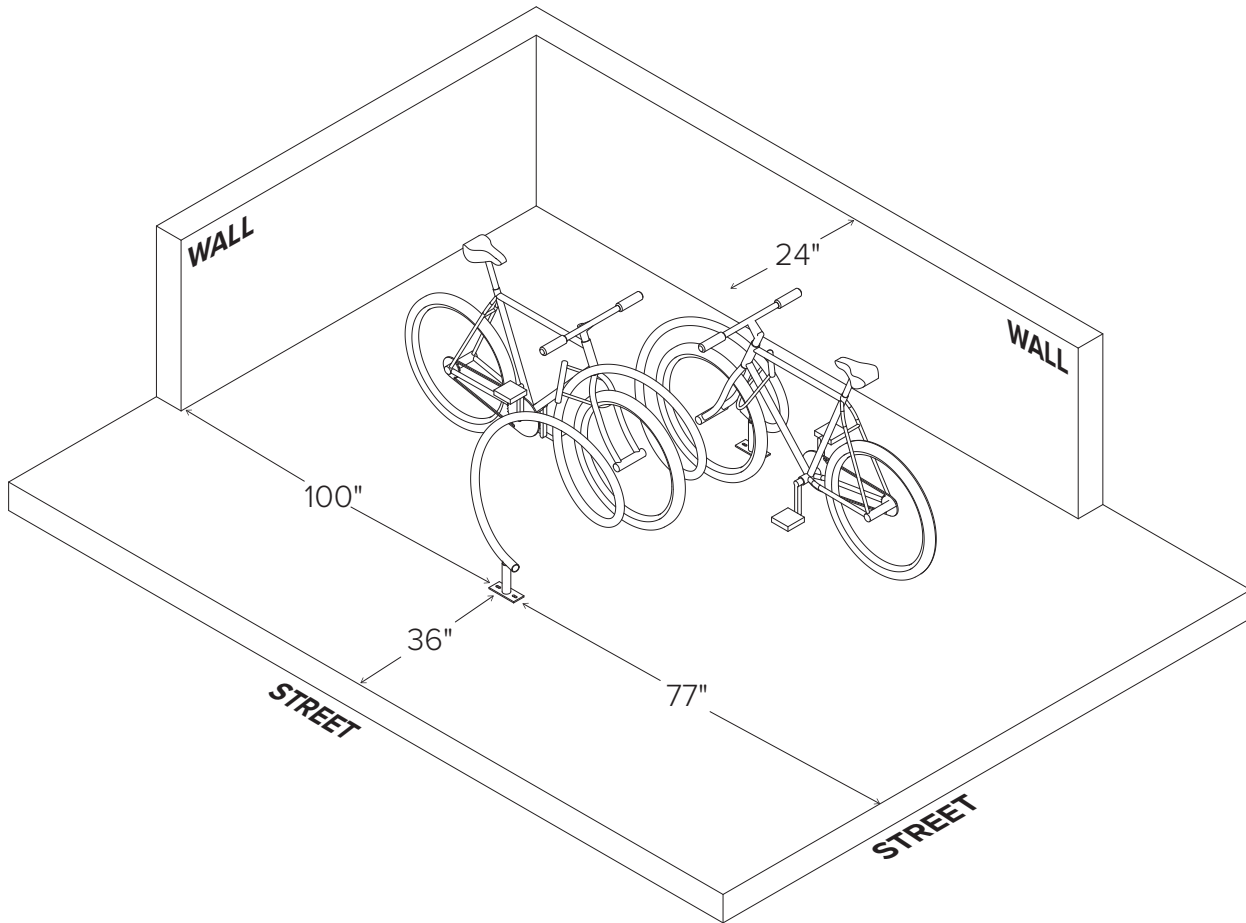
---

**MATERIALS** 1.25" Pipe (1.66" OD)

---

- FINISHES**
- Galvanized**  
An after fabrication hot dipped galvanized finish is our standard option.
  - Powder Coat**  
Our powder coat finish assures a high level of adhesion and durability by following these steps:
    1. Sandblast
    2. Epoxy primer electrostatically applied
    3. Final thick TGIC polyester powder coat
  - Stainless**  
Stainless Steel: 304 grade stainless steel material finished in either a high polished shine or a satin finish.
- 

- MOUNT OPTIONS**
- Surface**  
Foot Mount has two 2.5" x 6" x .25" feet with two anchors per foot. Specify foot mount for this option. Tamper-resistant fasteners available upon request.
  - In-Ground**  
In-ground mount is embedded into concrete base. Specify in-ground mount for this option

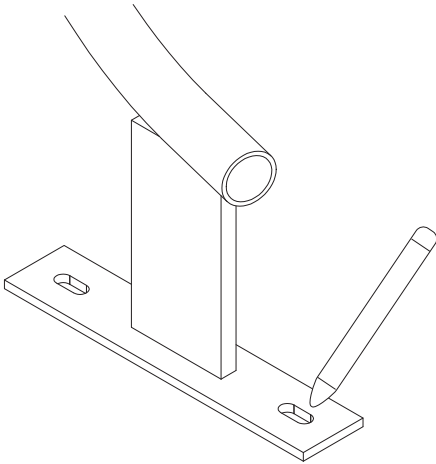


**TOOLS NEEDED**

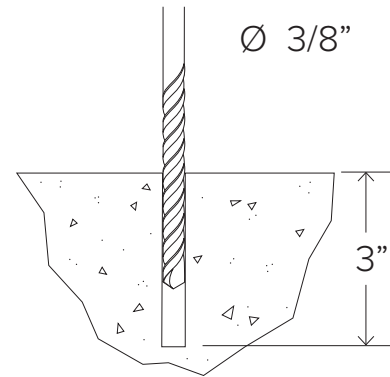
Tape Measure  
Marker or Pencil  
Masonry Drill Bit  
Drill (Hammer drill recommended)  
Hammer  
Wrench 9/16"  
Level

**RECOMMENDED BASE MATERIAL**

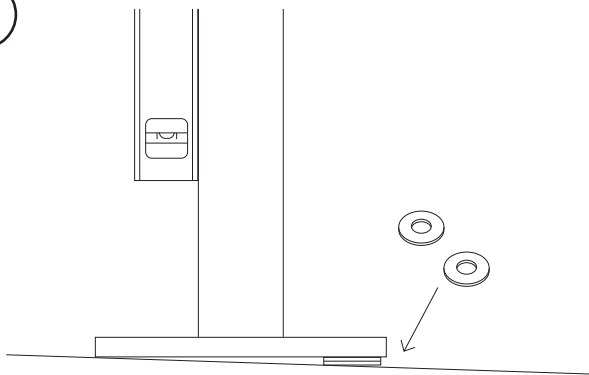
Solid concrete is the best base material for installation. To ensure the proper anchors are shipped with your rack, ask your Dero Rack representative which anchor is appropriate for your application. Be sure nothing is underneath the base material that could be damaged by drilling.

**1**

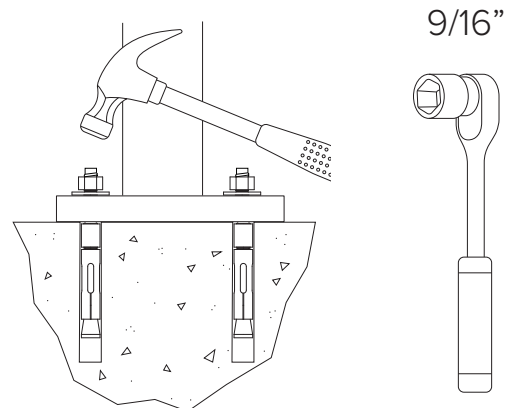
Place the rack in the desired location. Use a marker or pencil to outline the holes of the flange onto the base material.

**2**

Drill 3/8" diameter holes 3" deep into surface. Make sure the holes are at least 3" away from any cracks in the base material.

**3**

Place rack (and washers to level rack if necessary) over holes.

**4**

Thread nuts onto anchors, leaving approximately 1/4" of the anchor protruding, and tap into surface. Tighten nuts down to secure rack.

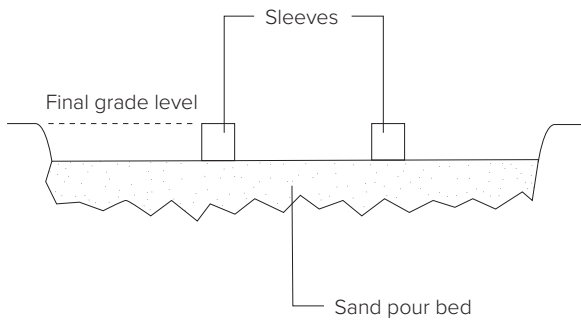


## TOOLS NEEDED

Level  
Cement mixing tub  
Shovel

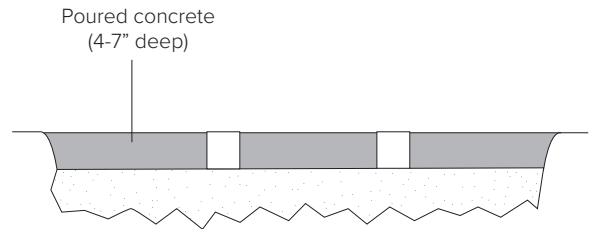
Trowel  
Corrosion-Resistant Sleeve (min. 3" diameter)  
Materials to build brace (see "Install Tip" at bottom of page)

**1**



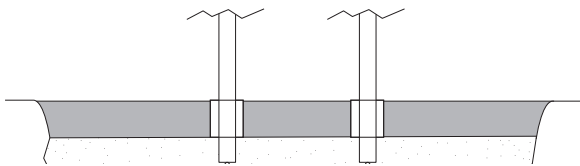
Place corrosion resistant sleeve (min. 3" inside diameter) in sand pour bed in exact location where rack will be installed. Make sure top of sleeve is at same level as desired finished concrete surface. Fill sleeve with sand to keep it in place and prevent it from filling with concrete.

**2**



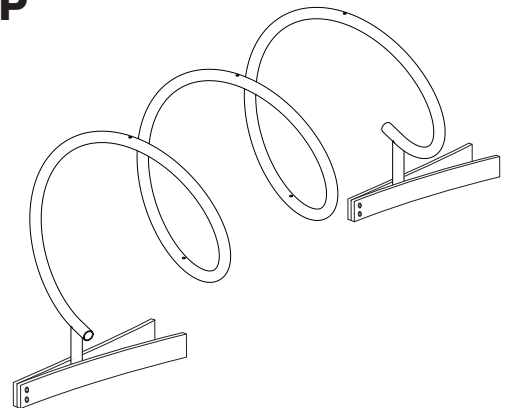
Pour concrete and allow to cure.

**3**



After appropriate cure time, dig out sand from sleeves and insert racks, making sure they are level and at the appropriate height. Pour in Super Por-Rok or epoxy grout and allow to set.

## TIP



An easy way to brace the rack while the grout sets is to bolt two 1x4" boards together at one end and clamp them onto the rack like a clothes pin.

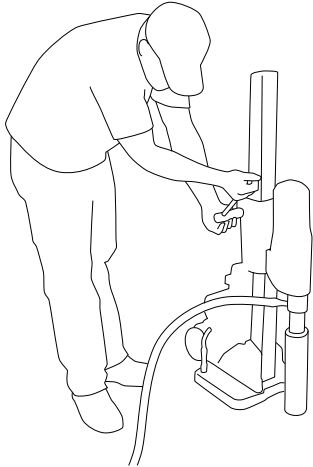


**TOOLS NEEDED**

Level  
Cement mixing tub  
Shovel  
Access to water hose

Trowel  
Hole coring machine with 4" bit  
Materials to build brace (see "Install Tip" at bottom of page)

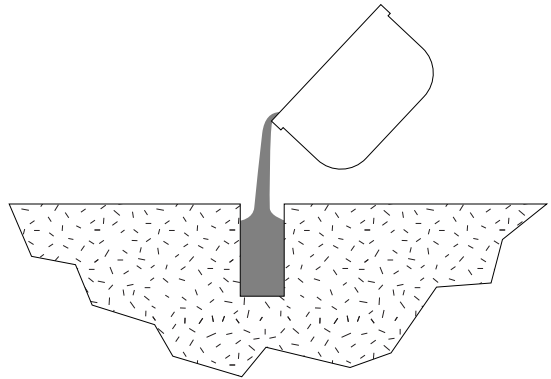
**1**



Ø 3" min.  
↓ 10" min.

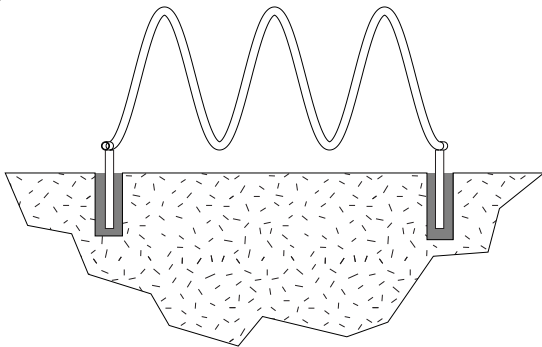
Core holes no less than 3" diameter (4" recommended) and no less than 10" deep into sidewalk.

**2**



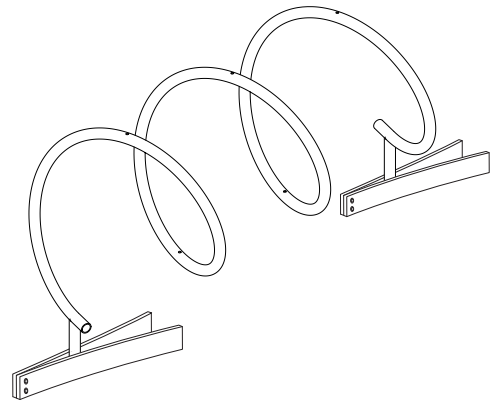
Fill holes with Super Por-Rok or epoxy grout.

**3**



Place rack into holes, making sure the rack is level until the grout has set.

**TIP**



An easy way to brace the rack while the grout sets is to bolt two 1x4" boards together at one end and clamp them onto the rack like a clothes pin.