

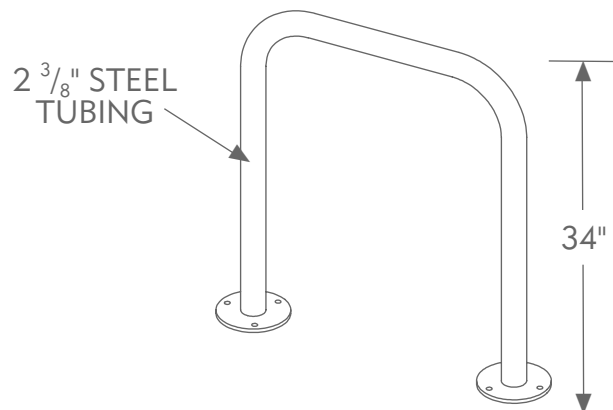
# Genesis™



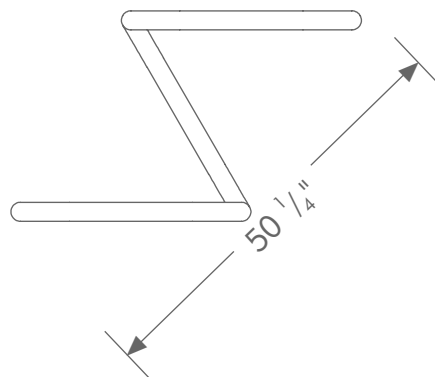
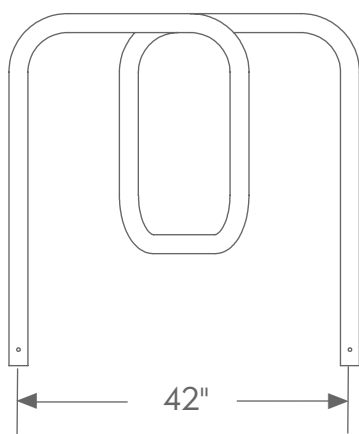
The Genesis™ bicycle rack has the simple “floating” concentric rings that look like an attractive outdoor sculpture. When full, these same concentric rings park bikes safely and securely. The Genesis™ offers two contact points, at front and rear, for locking. The unique concentric design of the Genesis™ bike rack helps guide bikes into proper parking position while providing double the parking space of typical serpentine racks.

# Genesis™

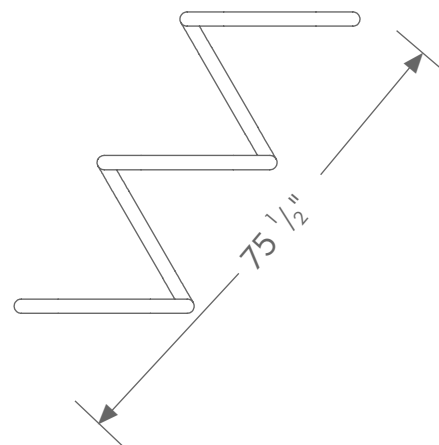
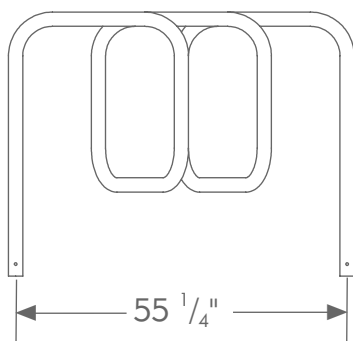
GEN-2  
2 BIKE



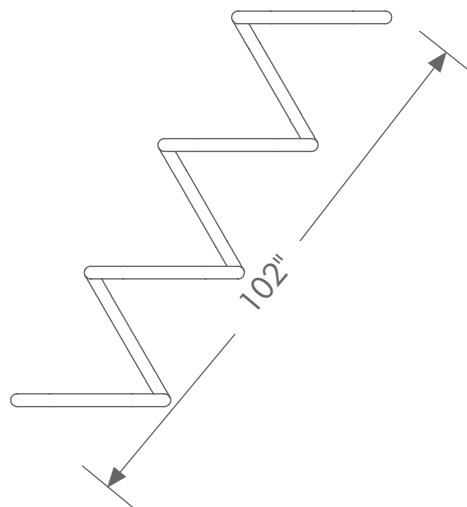
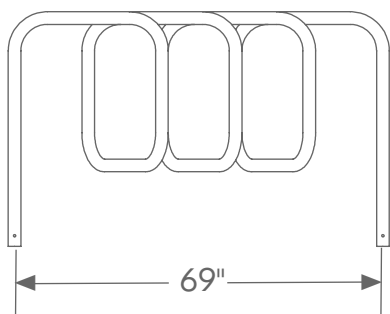
GEN-4  
4 BIKE



GEN-6  
6 BIKE



GEN-8  
8 BIKE



## Galvanized

Withstanding the elements with little to no maintenance, our galvanized products are durable and weather to a battleship grey. For this finish, the product will have vent holes that will allow draining after a hot-dip in the molten zinc tank. A galvanized product is an economical choice that resists rust. This finish comes with a 5-year warranty.

## Stainless Steel

Crafted from stainless steel and polished to a rich, Satin #4 finish, these racks are a highly durable and attractive option that will last through decades of use. As one of our more resilient finishes, Stainless Steel is perfect for products used in salty ocean air and other tough environmental conditions. Products come with a 5-year warranty.

## Super TGIC Powder Coat

Available in 18 vibrant shades, super TGIC coated products will stain significantly less from UV light than other finishes. This finish has a 1-year warranty.



Note: Due to variations in the printing process, colors shown may not be an exact match. Please request color samples from Madrax for accurate color comparisons.