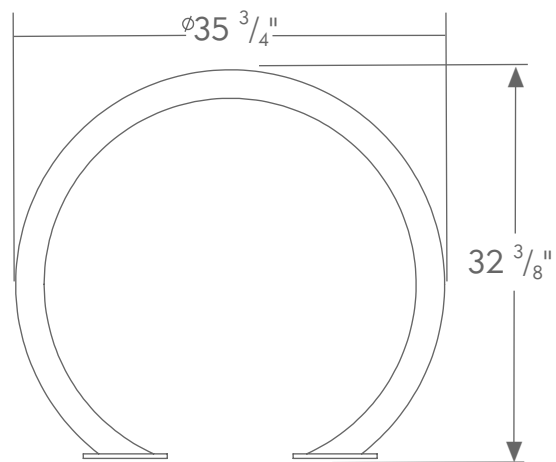


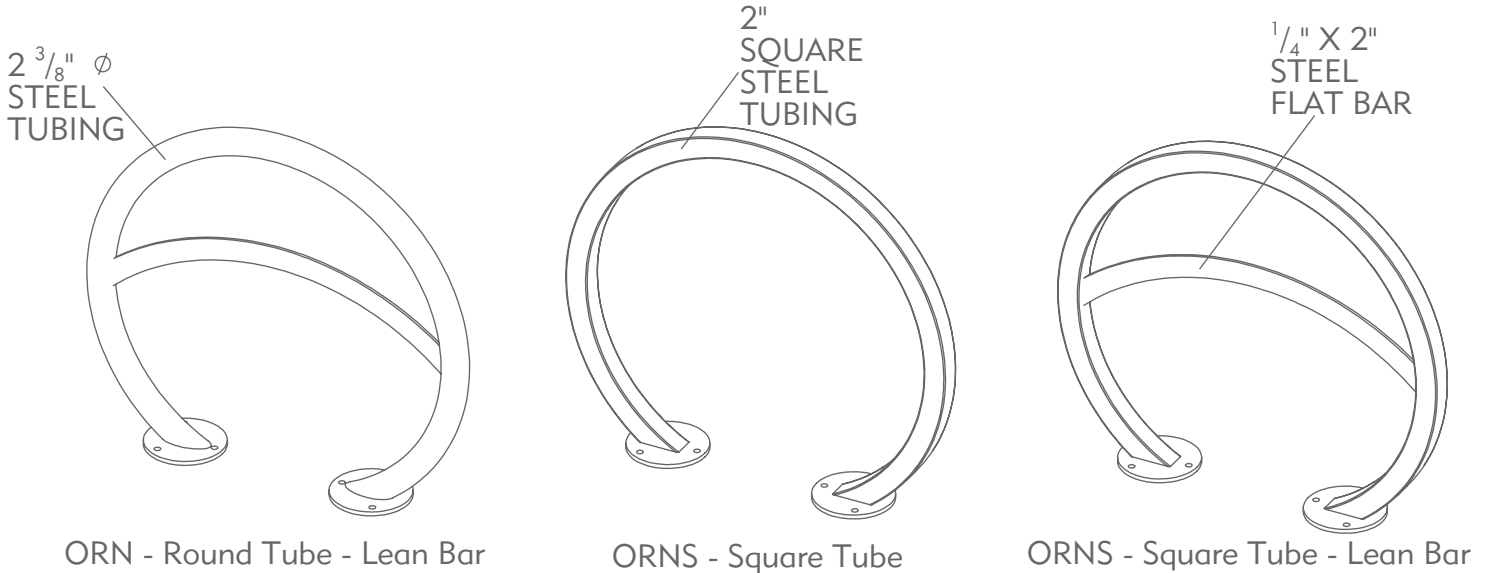
# Orion™



No matter how bikes evolve, the Orion™ bike rack will park them safely and securely. This is a beautiful, simple, clean option that will fit and enhance your landscape with ease. The Orion™ offers bikes two distinct contact points, at front and rear, for secure locking. There is also an optional lean bar for added support. Each Orion™ parks two bike & is available in Galvanized, Powder Coated, Stainless Steel, or Electro Polished Stainless finishes.



ORN - Round Tube



## Galvanized

Withstanding the elements with little to no maintenance, our galvanized products are durable and weather to a battleship grey. For this finish, the product will have vent holes that will allow draining after a hot-dip in the molten zinc tank. A galvanized product is an economical choice that resists rust. This finish comes with a 5-year warranty.

## Stainless Steel

Crafted from stainless steel and polished to a rich, Satin #4 finish, these racks are a highly durable and attractive option that will last through decades of use. As one of our more resilient finishes, Stainless Steel is perfect for products used in salty ocean air and other tough environmental conditions. Products come with a 5-year warranty.

## Electro Polished Stainless Steel

Much like our Stainless Steel finish, Electro Polished Stainless lends decades of durability to your rack. To achieve this sleek and polished look, our Electro Polished Stainless Steel finished racks are dipped into an electro-chemical bath that removes mill scale impurities and adds a high level of shine. This product is complete with a 5-year warranty.

## Super TGIC Powder Coat

Available in 18 vibrant shades, super TGIC coated products will stain significantly less from UV light than other finishes. This finish has a 1-year warranty.



Note: Due to variations in the printing process, colors shown may not be an exact match. Please request color samples from Madrax for accurate color comparisons.