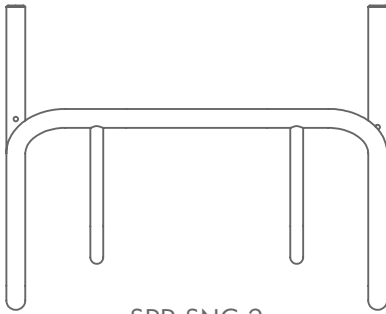


Spartan™

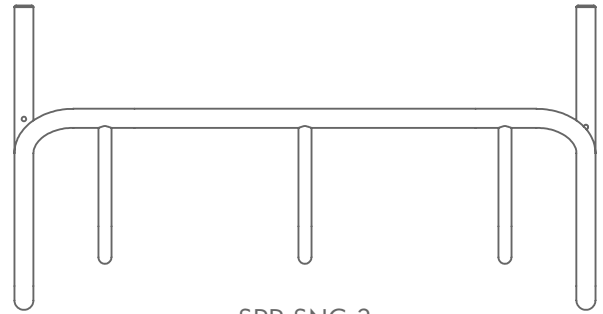


The Spartan™ bike rack has clean lines which combine form and function, while keeping bikes neatly aligned and upright. It offers a 25" clearance between bikes, a solid rod for "U" locks, and all-welded construction. The Spartan™ bicycle rack is constructed of 2-3/8" OD and 1-5/8" OD steel tubing with a 3/4" diameter steel rod. The Spartan™ bike rack is an innovative, practical, and eye-catching parking option ideal for many spaces.

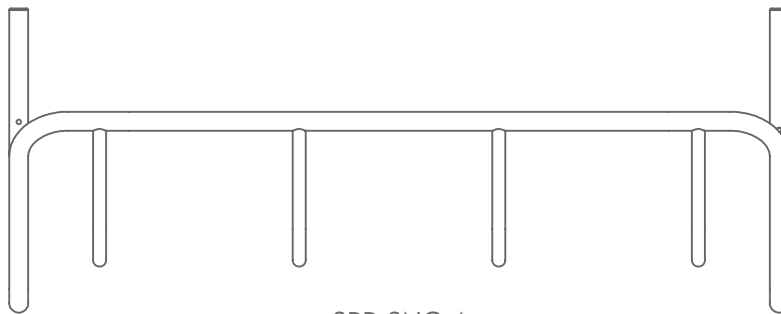
TOP VIEW



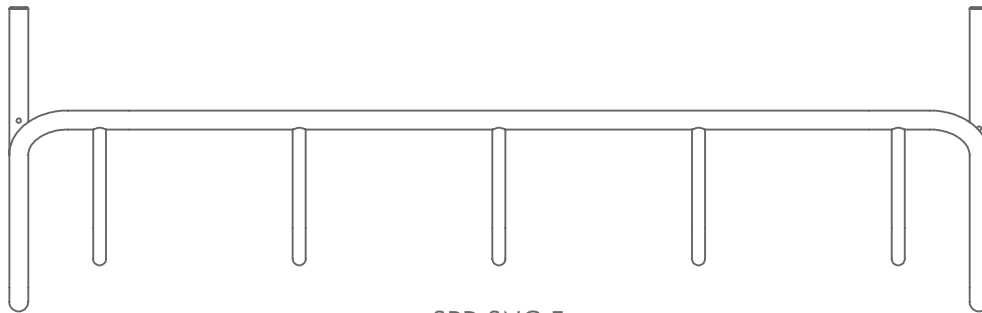
SPR-SNG-2



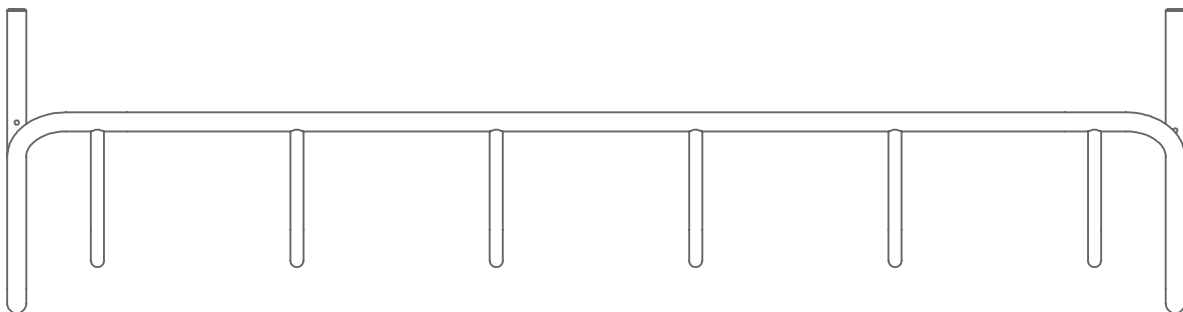
SPR-SNG-3



SPR-SNG-4



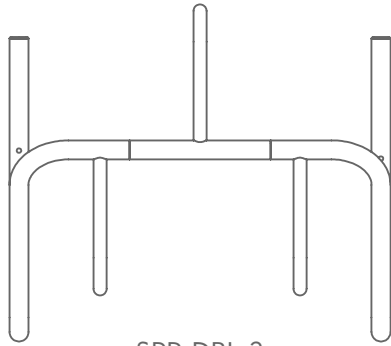
SPR-SNG-5



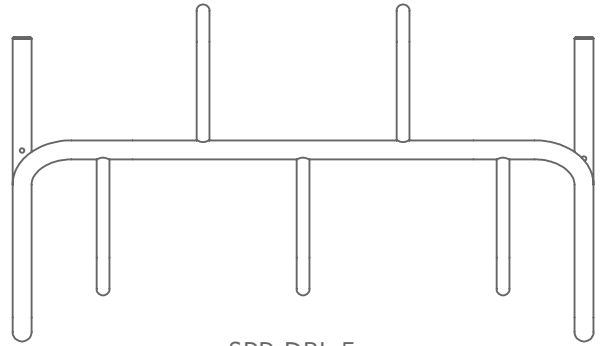
SPR-SNG-6

Spartan™

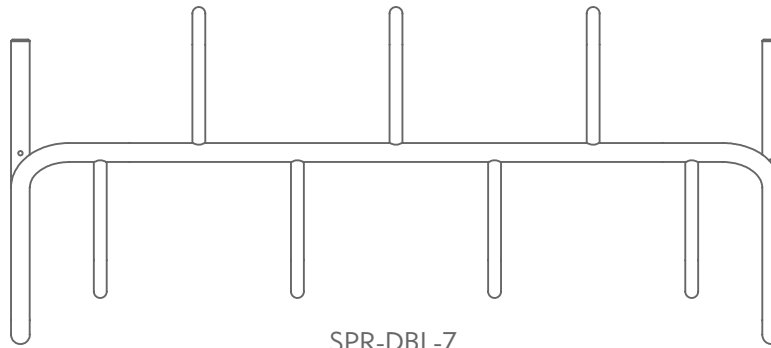
TOP VIEW



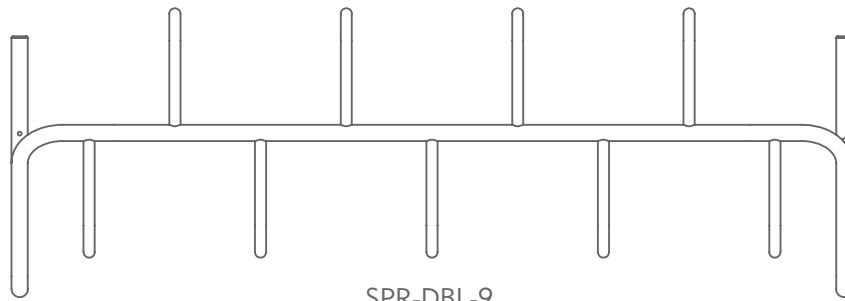
SPR-DBL-3



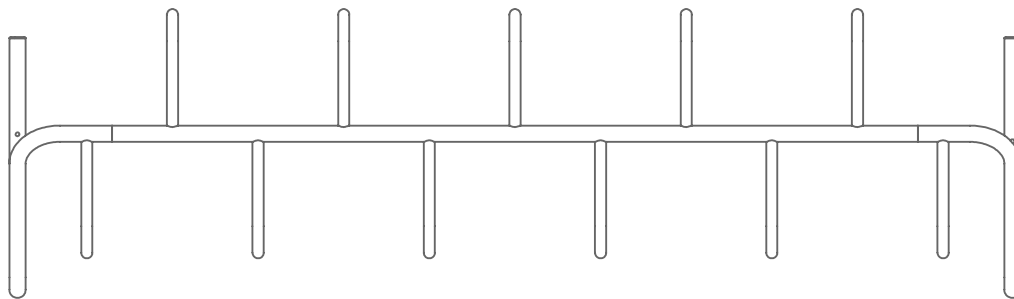
SPR-DBL-5



SPR-DBL-7



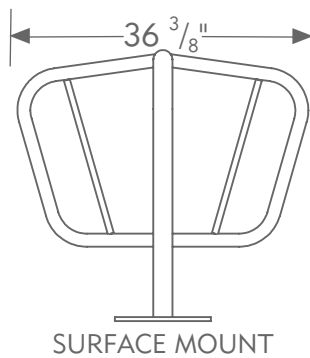
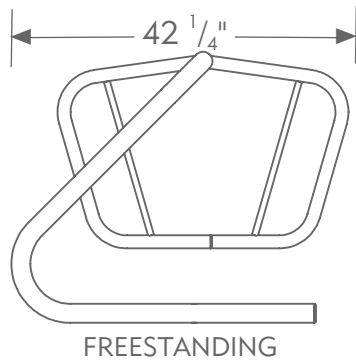
SPR-DBL-9



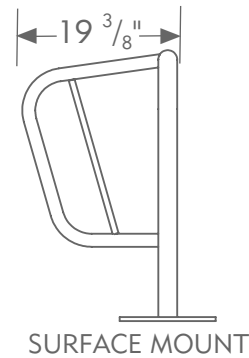
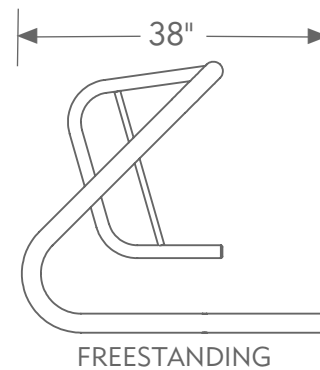
SPR-DBL-11

Spartan™

DOUBLE SIDED



SINGLE SIDED



Galvanized

Withstanding the elements with little to no maintenance, our galvanized products are durable and weather to a battleship grey. For this finish, the product will have vent holes that will allow draining after a hot-dip in the molten zinc tank. A galvanized product is an economical choice that resists rust. This finish comes with a 5-year warranty.

Super TGIC Powder Coat

Available in 18 vibrant shades, super TGIC coated products will stain significantly less from UV light than other finishes. This finish has a 1-year warranty.



Note: Due to variations in the printing process, colors shown may not be an exact match. Please request color samples from Madrax for accurate color comparisons.