

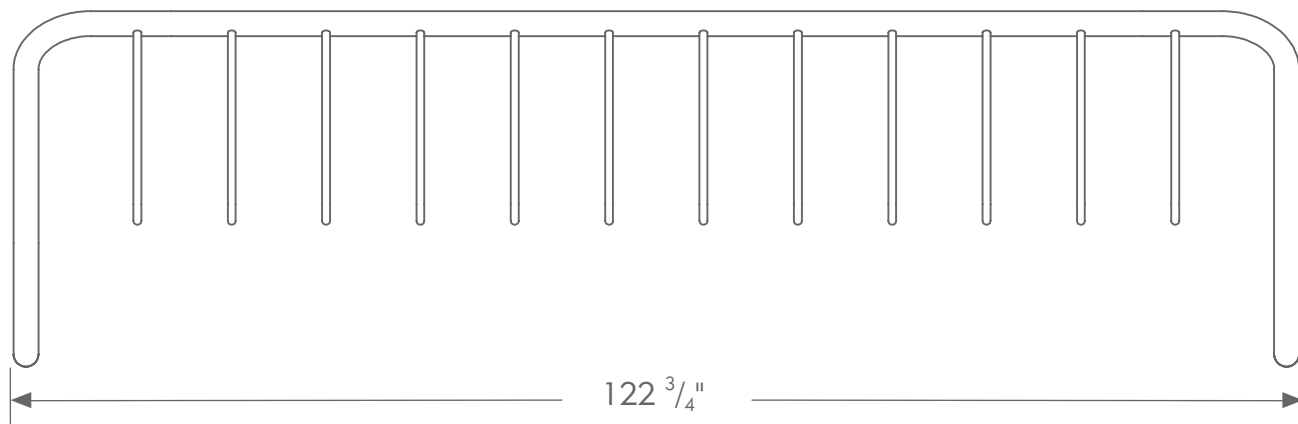
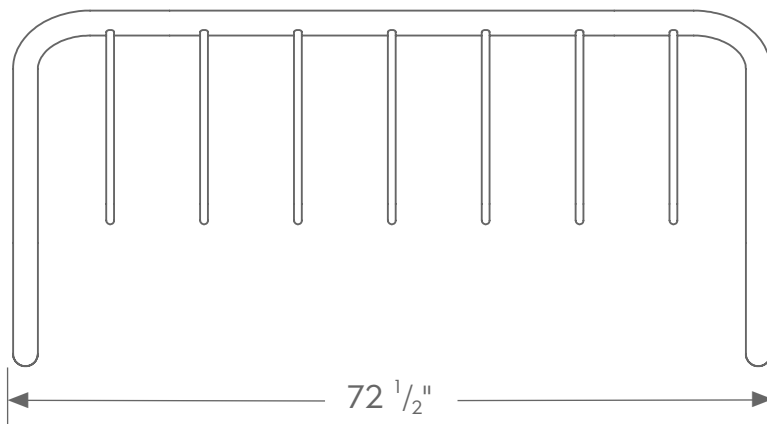
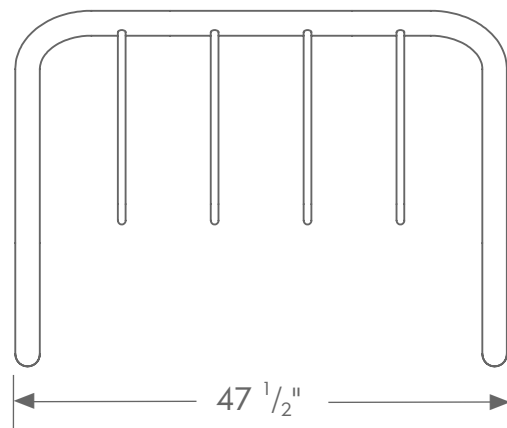
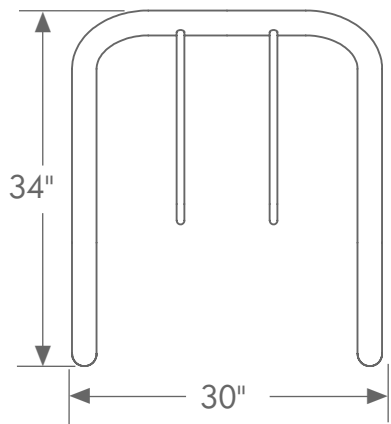
Triton™

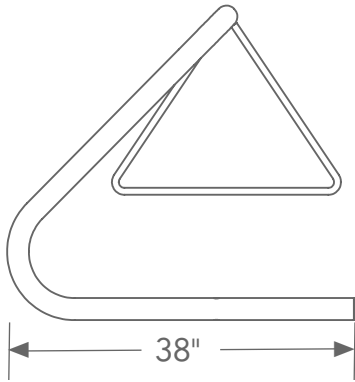


The Triton™ bike rack offers a new dimension to bicycle parking. The addition of triangle-shaped locking bars give bike owners added security – enabling bikes to be secured by frame and wheel with a single “U”-type lock. Bike owners instinctively understand how to park at the Triton™ bike rack. Bicycles can be parked on both sides of the triangle for maximum capacity in a smaller space. The versatile Triton™ bike rack accepts all types of bikes, including tricycles, tandems, and trailers and is perfect for parks, bike trails, schools, and more!

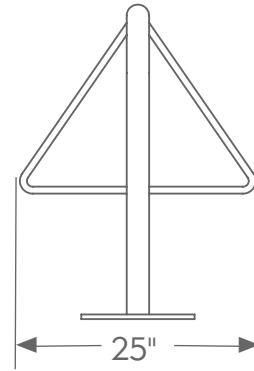
800.448.7931
www.madrax.com

 **MADRAX**
by *Graber Manufacturing, Inc.*





FREESTANDING



SURFACE MOUNT

Galvanized

Withstanding the elements with little to no maintenance, our galvanized products are durable and weather to a battleship grey. For this finish, the product will have vent holes that will allow draining after a hot-dip in the molten zinc tank. A galvanized product is an economical choice that resists rust. This finish comes with a 5-year warranty.

Super TGIC Powder Coat

Available in 18 vibrant shades, super TGIC coated products will stain significantly less from UV light than other finishes. This finish has a 1-year warranty.



Note: Due to variations in the printing process, colors shown may not be an exact match. Please request color samples from Madrax for accurate color comparisons.