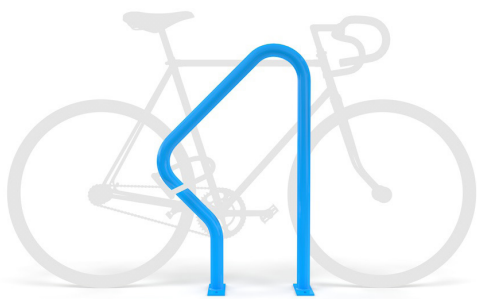




**DERO**  
A PLAYCORE Company



## Swerve Rack

The Swerve Rack is a proven design that provides high security and easy bike parking. The Swerve Rack uses thick pipe construction and the full radius of the bend makes the Swerve an attractive and functional bike rack. The Swerve Rack supports the bicycle at two points and allows for the wheel and frame to be secured using a u-style bike lock. Each Swerve Rack parks two bikes.



YOUR **LOGO** HERE

Customize the Swerve Rack to brand your bike parking!



## FINISH OPTIONS

### Galvanized



### Stainless

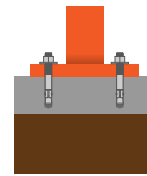


### Powder Coat

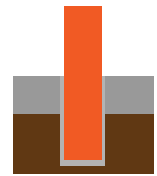
 White	 Black	 Light Gray RAL 7042	 Deep Red RAL 3003	 Yellow RAL 1023
 CNH Bright Yellow	 Orange RAL 2004	 Beige RAL 1001	 Iron Gray RAL 7011	 Hunter Green RAL 6005
 Light Green RAL 6018	 Green RAL 6016	 Sepia Brown RAL 8014	 Blue RAL 5005	 Sky Blue RAL 5015
 Dark Purple	 Flat Black	 Wine Red RAL 3005	 Bronze	 Silver RAL 9007

## MOUNT OPTIONS

### Surface

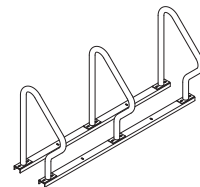


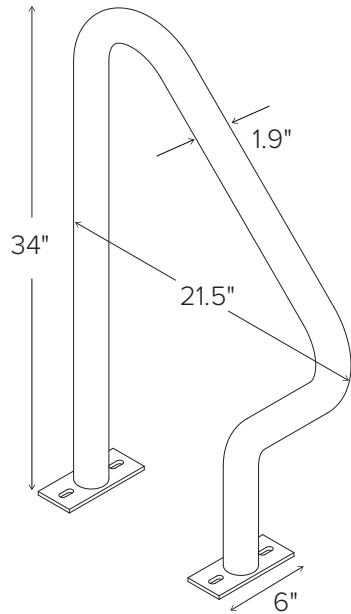
### In-Ground



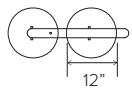
Tamper-resistant fasteners available upon request

### Rail

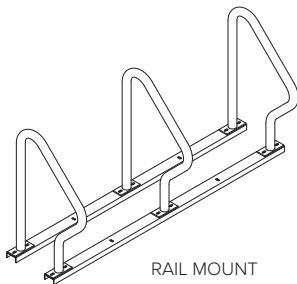
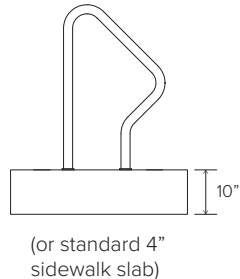
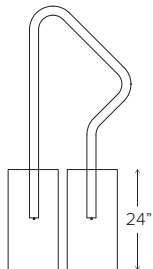
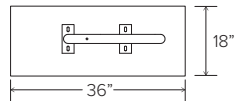




IN-GROUND MOUNT



SURFACE MOUNT



RAIL MOUNT

**CAPACITY** 2 Bikes

**MATERIALS** 1.9" OD schedule 40 pipe

**FINISHES**

- Galvanized**  
An after fabrication hot dipped galvanized finish is our standard option.
- Powder Coat**  
Our powder coat finish assures a high level of adhesion and durability by following these steps:  
1. Sandblast  
2. Epoxy primer electrostatically applied  
3. Final thick TGIC polyester powder coat
- Stainless**  
Stainless Steel: 304 grade stainless steel material finished in either a high polished shine or a satin finish.

**MOUNT OPTIONS**

- Surface**  
Foot Mount has two 2.5" x 6" x .25" feet with two anchors per foot. Specify foot mount for this option. Tamper-resistant fasteners available upon request.
- In-Ground**  
In-ground mount is embedded into concrete base. Specify in-ground mount for this option
- Rail**  
Rail Mounted Downtown Racks are bolted to two parallel rails which can be left freestanding or anchored to the ground. Rails are heavy duty 3" x 1.4" x 3/16" thick galvanized mounting rails. Specify rail mount for this option.

**Rack Angle:**



90



45A



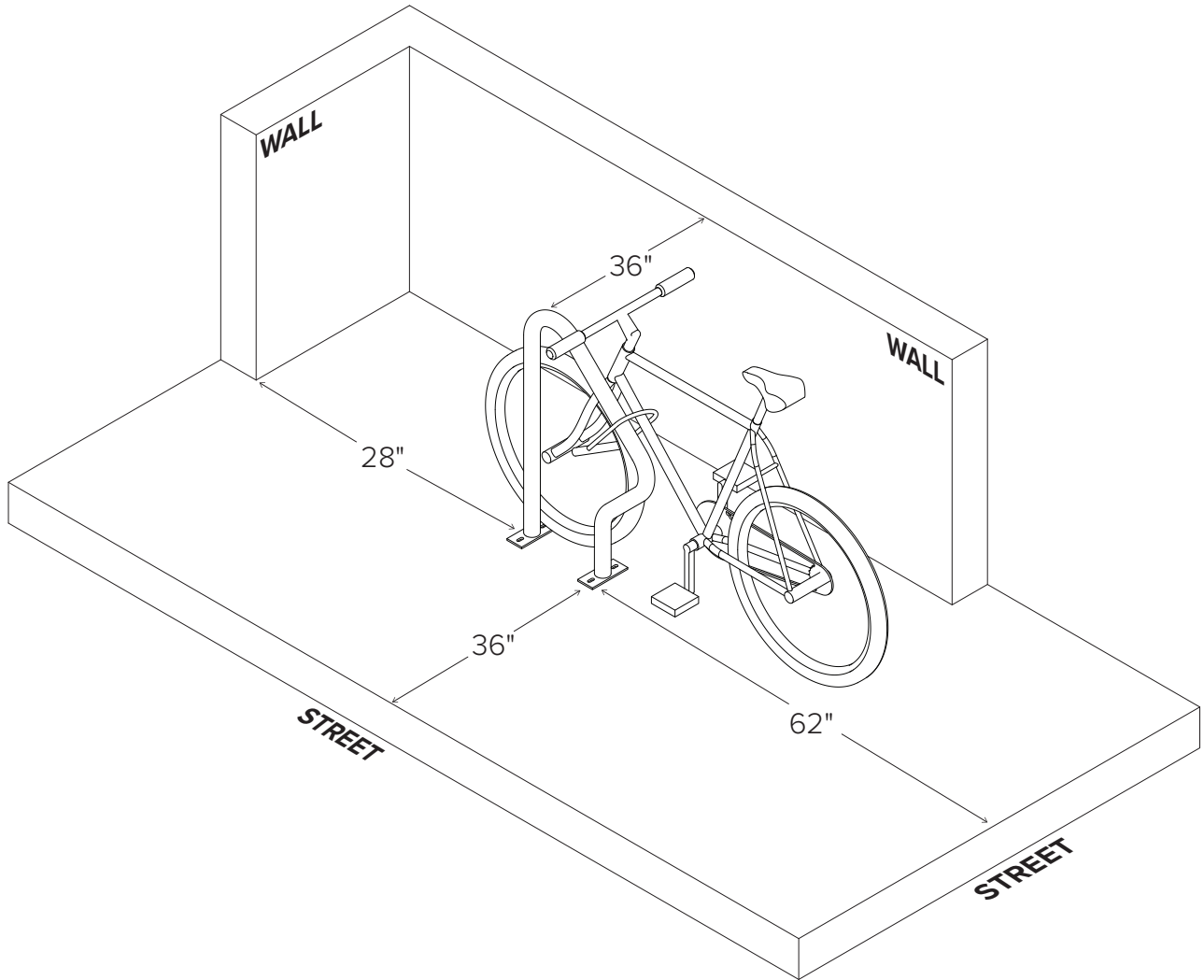
45B



60A



60B

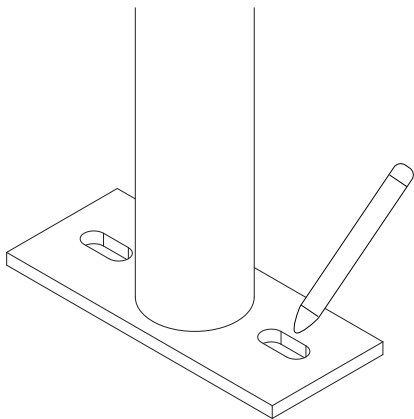



**TOOLS NEEDED**

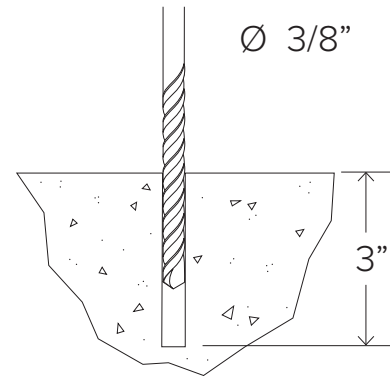
Tape Measure  
 Marker or Pencil  
 Masonry Drill Bit  
 Drill (Hammer drill recommended)  
 Hammer  
 Wrench 9/16"  
 Level

**RECOMMENDED BASE MATERIAL**

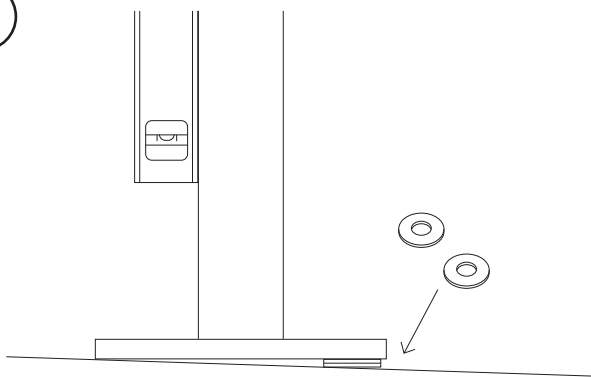
Solid concrete is the best base material for installation. To ensure the proper anchors are shipped with your rack, ask your Dero Rack representative which anchor is appropriate for your application. Be sure nothing is underneath the base material that could be damaged by drilling.

**1**


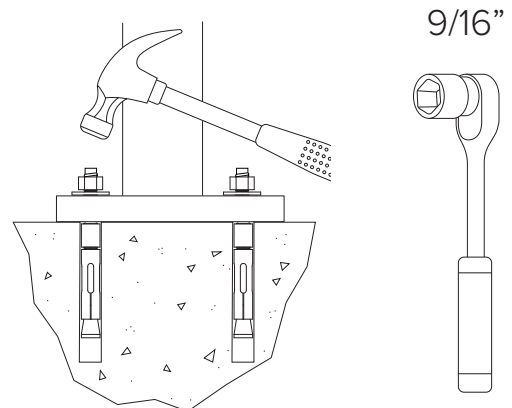
Place the rack in the desired location. Use a marker or pencil to outline the holes of the flange onto the base material.

**2**


Drill 3/8" diameter holes 3" deep into surface. Make sure the holes are at least 3" away from any cracks in the base material.

**3**


Place rack (and washers to level rack if necessary) over holes.

**4**


Thread nuts onto anchors, leaving approximately 1/4" of the anchor protruding, and tap into surface. Tighten nuts down to secure rack.



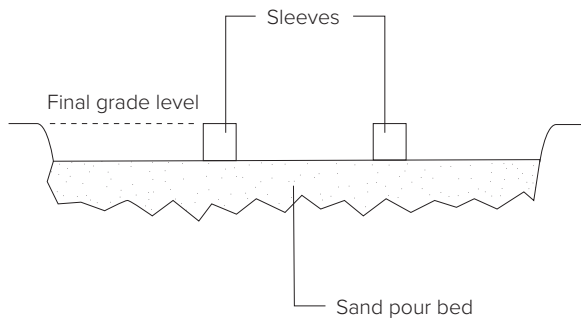


**TOOLS NEEDED**

Level  
Cement mixing tub  
Shovel

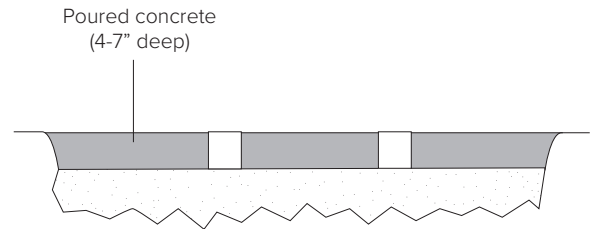
Trowel  
Corrosion-Resistant Sleeve (min. 3" diameter)  
Materials to build brace (see "Install Tip" at bottom of page)

**1**



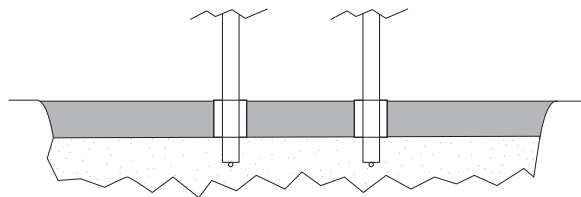
Place corrosion resistant sleeve (min. 3" inside diameter) in sand pour bed in exact location where rack will be installed. Make sure top of sleeve is at same level as desired finished concrete surface. Fill sleeve with sand to keep it in place and prevent it from filling with concrete.

**2**



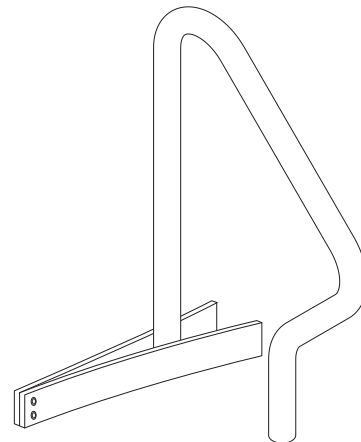
Pour concrete and allow to cure.

**3**



After appropriate cure time, dig out sand from sleeves and insert rack, making sure it is level and at the appropriate height. Pour in Super Por-Rok or epoxy grout and allow to set.

**TIP**



An easy way to brace the rack while the grout sets is to bolt two 1x4" boards together at one end and clamp them onto the legs of the rack like a clothes pin.

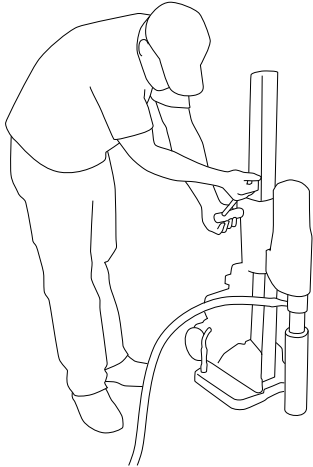


**TOOLS NEEDED**

Level  
Cement mixing tub  
Shovel  
Access to water hose

Trowel  
Hole coring machine with 4" bit  
Materials to build brace (see "Install Tip" at bottom of page)

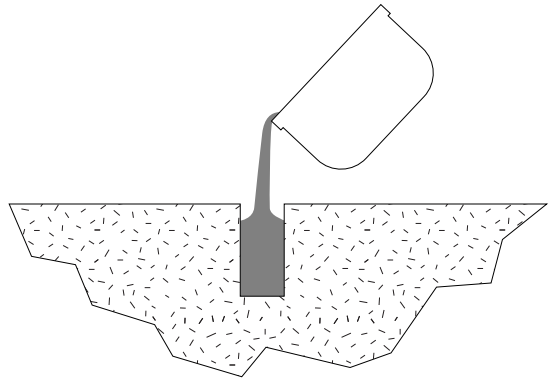
**1**



Ø 3" min.  
↓ 10" min.

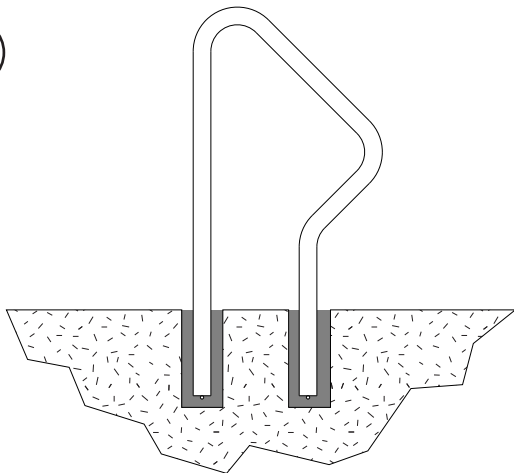
Core holes no less than 3" diameter (4" recommended) and no less than 10" deep into sidewalk.

**2**



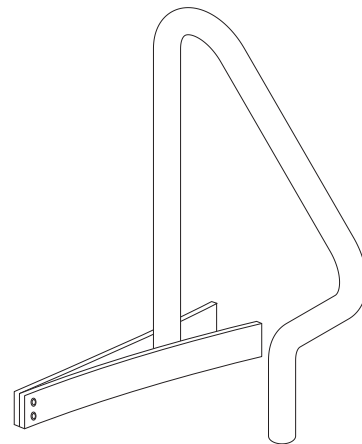
Fill holes with Super Por-Rok or epoxy grout.

**3**



Place rack into holes, making sure it is level until the grout has set. 33"-36" of the rack should remain above the surface.

**TIP**



An easy way to brace the rack while the grout sets is to bolt two 1x4" boards together at one end and clamp them onto the legs of the rack like a clothes pin.

## RAIL MOUNTED OPTIONS

Rail mounted racks are standard foot mounted racks attached with bolts to a rail as in the diagram at left. Rail mounted racks provide more flexibility than other mounting options while providing the same degree of security.

Rail mounted racks can be left freestanding, or they can be anchored to the ground using several anchors. This option allows for easier snow removal and sweeping. Installation of rail mounted racks is also much less expensive than embedding the racks into the ground.

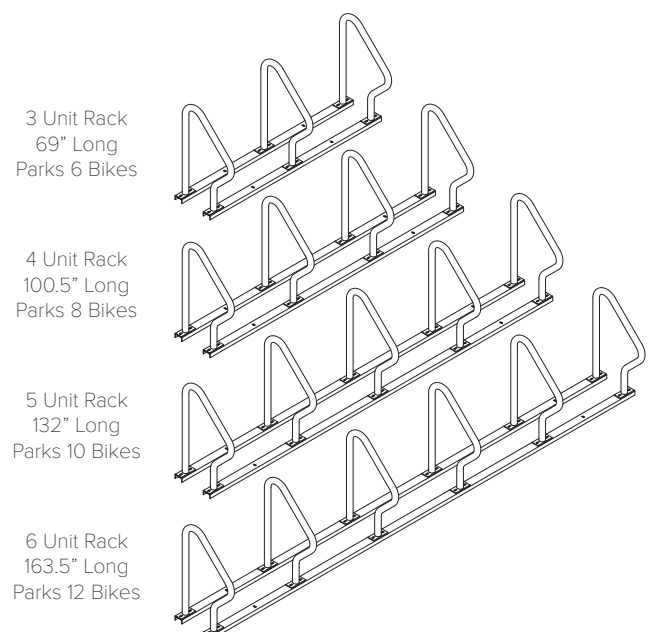
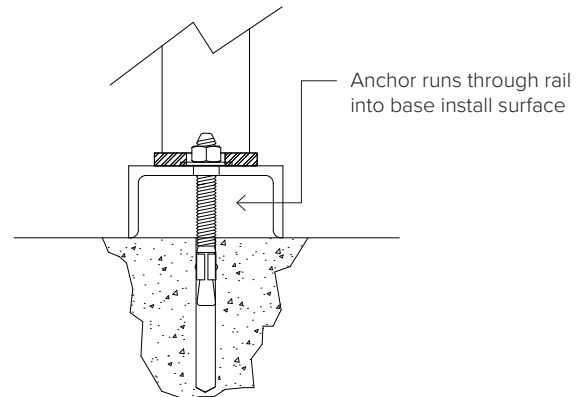
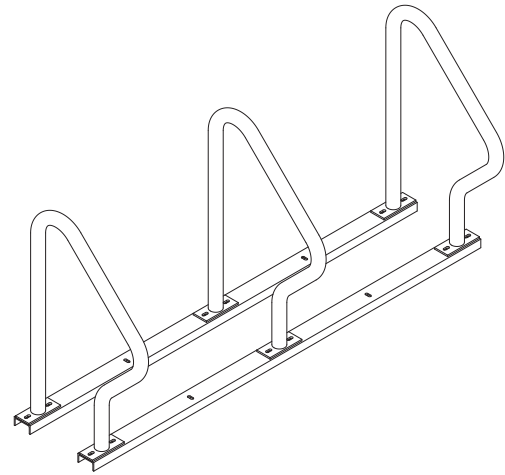
\* Note: Though racks may be painted, the rails will remain with only a galvanized finish

### ADVANTAGES:

- Easier and inexpensive installation
- Can be left freestanding or anchored to the ground
- Easier to remove for sweeping and snow removal

### APPLICATIONS:

- Installation to pavers
- Asphalt Installations
- Ground, dirt, or mulch
- Situations where the rack needs to be moved occasionally







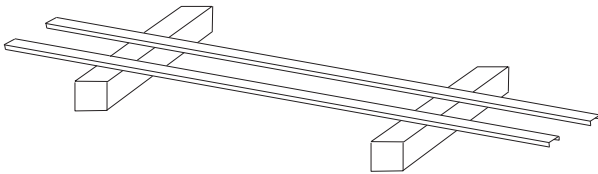
**TOOLS NEEDED**

9/16" Socket set  
Two 4" x 4" x 28" (or larger) blocks  
4 bolts, nuts and washers for every rack  
(included). If using a tamper resistant nuts,  
install two tamper resistant nuts with each rack.

**ANCHORING THE RAILS**

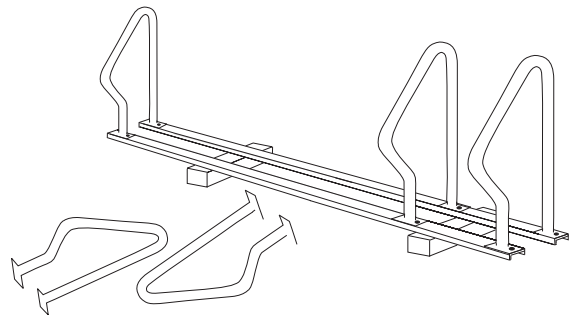
To anchor the rails to concrete, place 3.75" wedge anchor through holes in the rail into the concrete. Secure with nut.

**1**



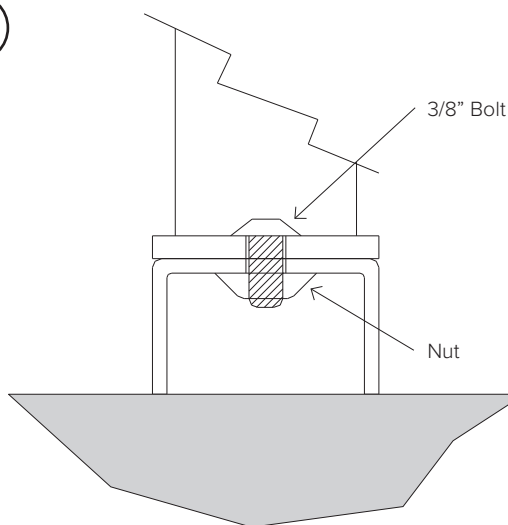
Lay out the two channel beams where the rack will be placed. Place the two beams on top of the two blocks of wood so that the open part of the channel faces the ground.

**2**



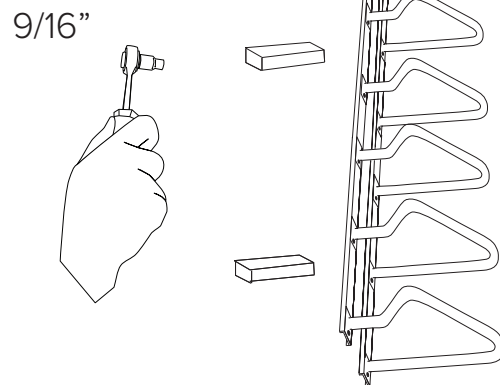
Place racks on beams so holes in rack flanges line up with beam slots

**3**



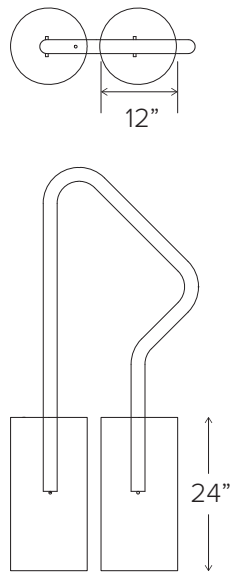
Put bolts through rack flange holes and beams so bolt head faces up. **HAND** tighten the nuts using new flange nuts.

**4**



Once nuts are on, tip assembled rack over and use a 9/16" socket to tighten nuts. Before fully tightening nuts, make sure the racks are straight on beams. If using tamper resistant nuts, use access tool to tighten nuts. Do not overtighten the tamper resistant nuts. Tip rack upright.

IN-GROUND MOUNT



SURFACE MOUNT

