



Tool Kit

The Dero Tool Kit includes all the necessary tools to perform most routine maintenance and adjustments on most bikes. All the tools are securely fastened with stainless steel cables and tamper-proof fasteners. Two versions are available, a floor mount and a wall mounted version.


Patents: D717,214 – 9,095,973B2 – 9,505,124B2

Tool Kit



INCLUDED TOOLS

- Philips and flat head screwdrivers
- 2.5, 3, 4, 5, 6, 8mm Allen wrenches
- Headset wrench
- Pedal wrench
- 8, 9, 10, 11mm box wrenches
- Tire levers (2)

 Tamper-resistant fasteners included!

FINISH OPTIONS

Galvanized

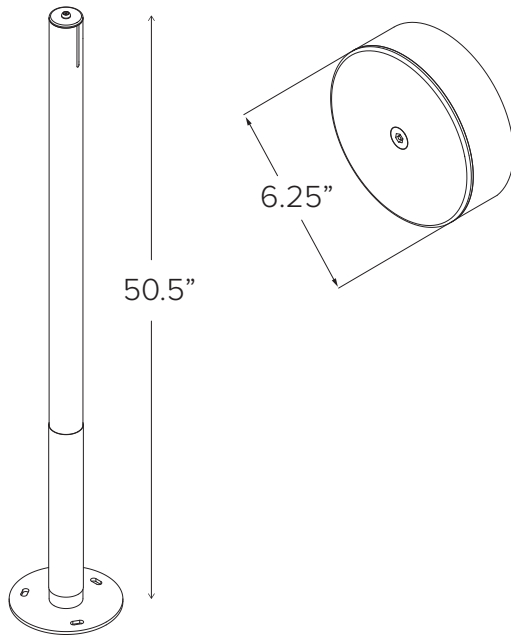


Stainless



Powder Coat





Tools Included:

1. Philips and flat head screwdrivers
2. 2.5, 3, 4, 5, 6, 8mm Allen wrenches
3. Headset wrench
4. Pedal wrench
5. 8, 9, 10, 11mm box wrenches
6. Tire levers

MATERIALS

Surface-Mounted Tool Kit

Main body: 2" sch. 40 pipe
Top cap: 3/16" plate
Foot: 8" dia. x .25" plate
Tool tethers: 5/32" stainless steel cable

Wall-Mounted Tool Kit

Main body: 6.308 x .154" tube, 3/16" plate
Top cap: 3/16" plate
Tool tethers: 5/32" stainless steel cable

FINISHES

- Galvanized**
An after fabrication hot dipped galvanized finish is our standard option.
- Powder Coat**
Our powder coat finish assures a high level of adhesion and durability by following these steps:
 1. Sandblast
 2. Epoxy primer electrostatically applied
 3. Final thick TGIC polyester powder coat
- Stainless**
Stainless Steel: 304 grade stainless steel material finished in either a high polished shine or a satin finish.

MOUNT OPTIONS

- Wall mount**
Wall mount has a 6" dia. x 3/16" base plate that is installed onto a wall with 2 anchors.
- Surface mount**
Surface mount has 8"x.25" circular foot with three anchors. Tamper-resistant fasteners are included.

Surface Mount:

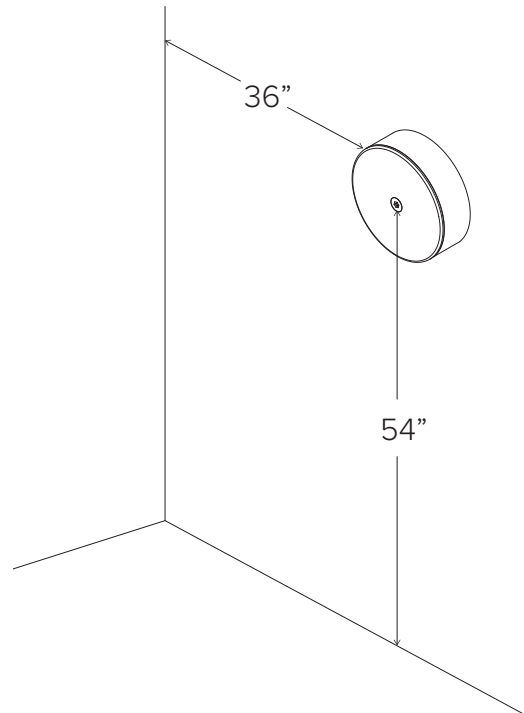
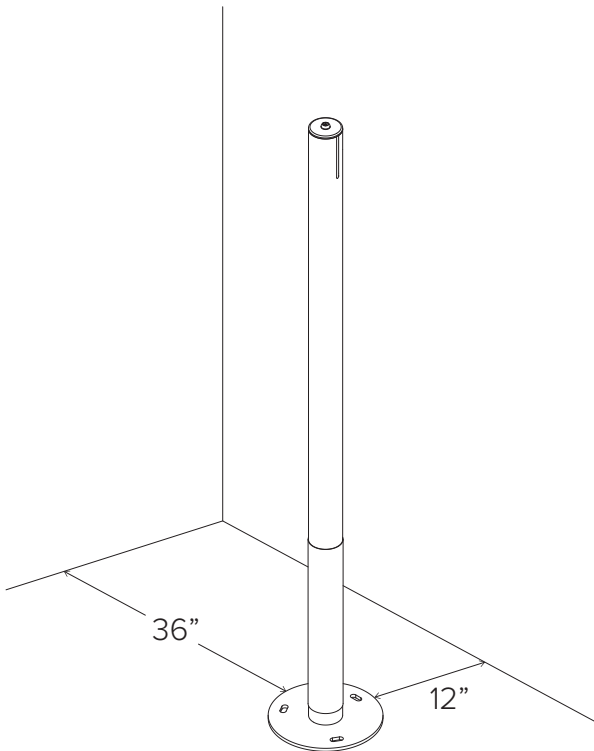
Wall Setback: The Tool Kit should be at least 12" from a wall. Both sides of the Tool Kit should be 36" from either wall.

No part of the Tool Kit should protrude onto a walkway, bike lane, or common area.

Street Setback: The Tool Kit should be at least 60" from the street.

Wall Mount:

Wall Setback: The Tool Kit should be mounted on a wall at least 54" from the ground to the center of the Tool Kit. The Tool Kit should be 36" from an adjacent wall.





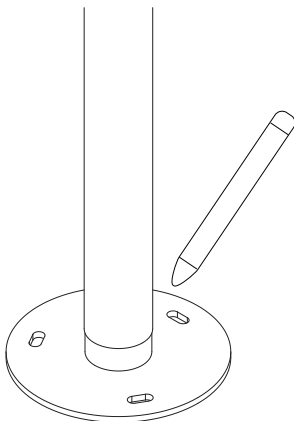
TOOLS NEEDED

- Marker or Pencil
- Masonry Drill Bit 3/8"
- Drill (Hammer drill recommended)
- Hammer
- Wrench 9/16"
- Level

RECOMMENDED BASE MATERIAL

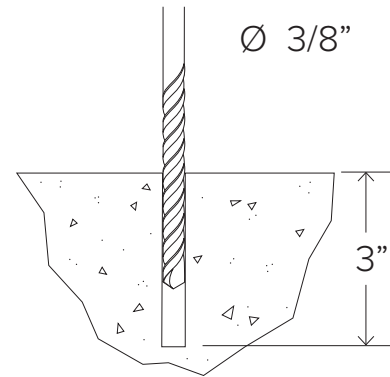
Solid concrete is the best base material for installation. To ensure the proper anchors are shipped with your Tool Kit, ask your Dero Tool Kit representative which anchor is appropriate for your application. Be sure nothing is underneath the base material that could be damaged by drilling.

1



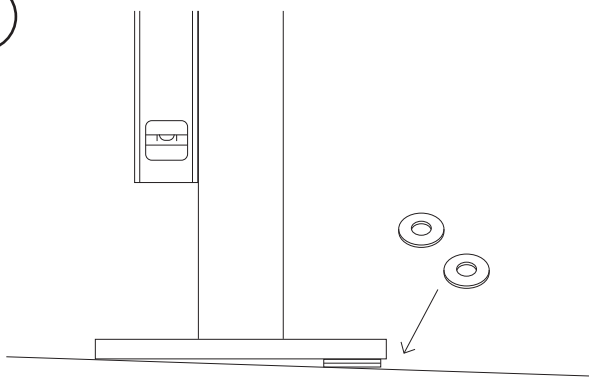
Place the Tool Kit in the desired location. Use a marker or pencil to outline the holes of the flange onto the base material.

2



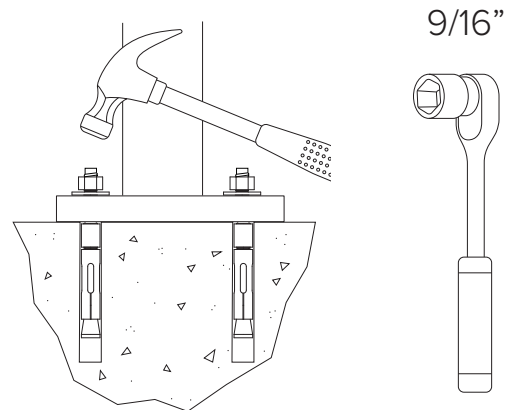
Drill 3/8" diameter holes 3" deep into surface. Make sure the holes are at least 3" away from any cracks in the base material.

3



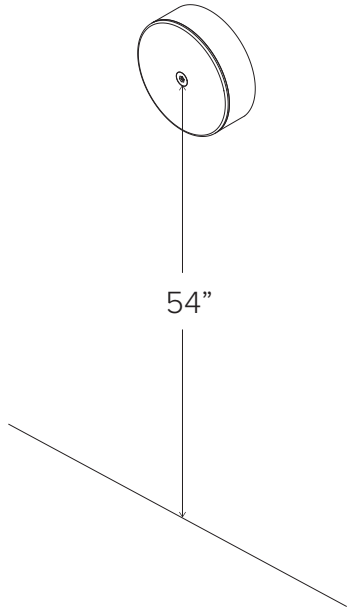
Place Tool Kit (and washers to level rack if necessary) over holes.

4



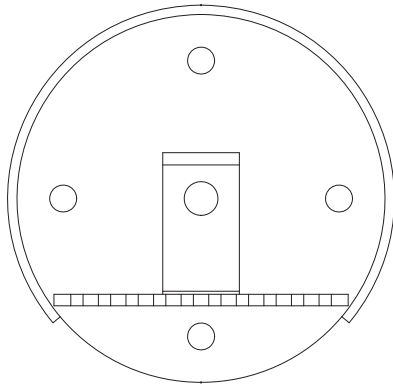
Thread nuts onto anchors, leaving approximately 1/4" of the anchor protruding, and tap into surface. Tighten nuts down to secure the stand.

1



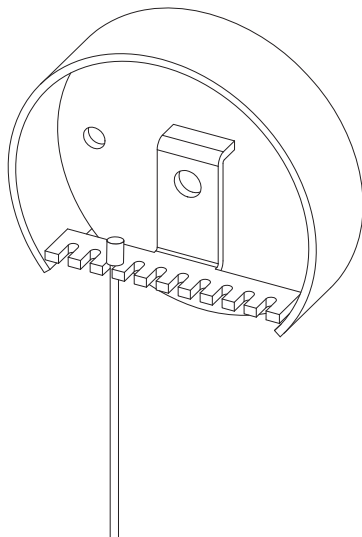
The Tool Kit wall-mount should be installed with the center of the Tool Kit 54" above the ground.

2



There are 4 mounting holes; only 2 need to be used. For installations into a vertical stud, use the 2 vertically oriented holes. The horizontally oriented holes can be used for other types of installation. 3/8" wedge anchors, lag bolts, or other fasteners may be used.

3



Once the base is installed, place the tool cables in the slots, and fasten the cap with the provided 3/8" tamper-resistant bolt.